

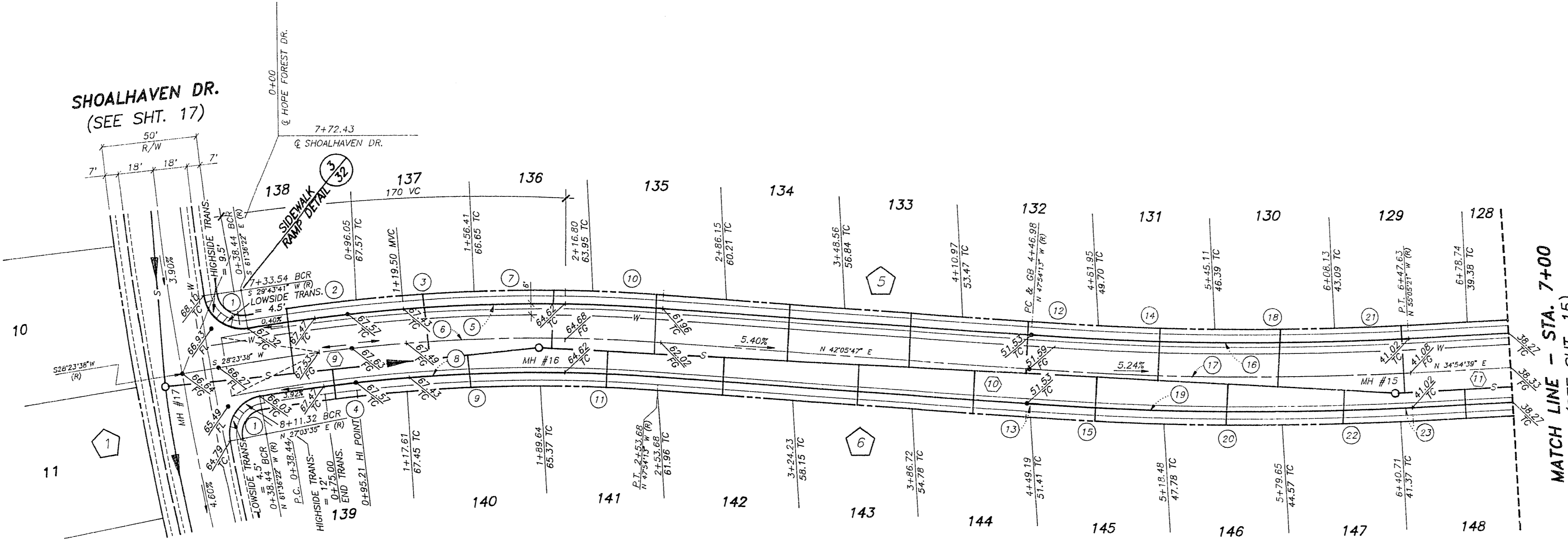
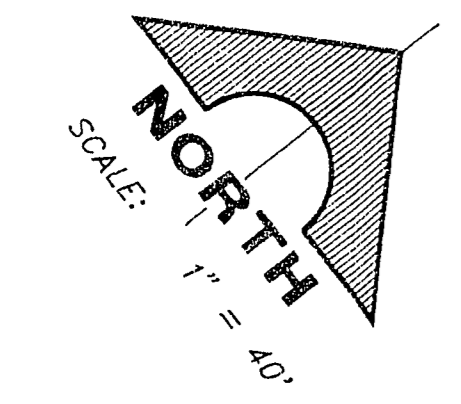
PROFILE
SCALE: HORIZ. 1" = 40'
VERT. 1" = 4'

MH COORDINATES

MH#	NORTH	EAST
15	N 531390.016	E 376290.568
16	N 531050.265	E 375995.494
17	N 530892.573	E 375890.662

SEWER LINE TABLE

LINE	BEARING	DISTANCE
9	N 32°09'41" E	197.76'
10	N 40°58'28" E	450.00'
11	N 34°54'39" E	450.00'



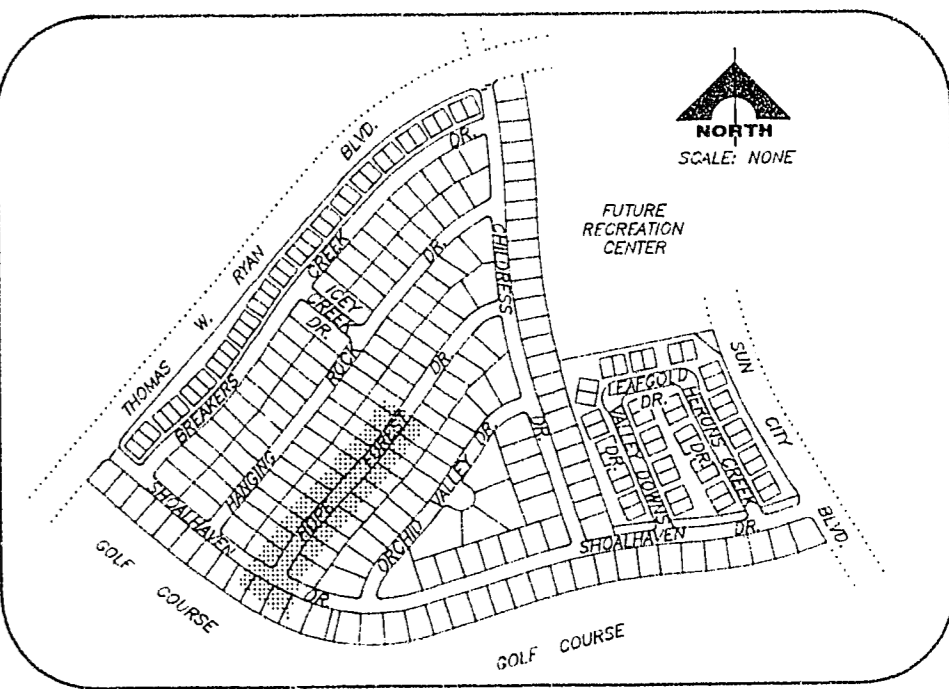
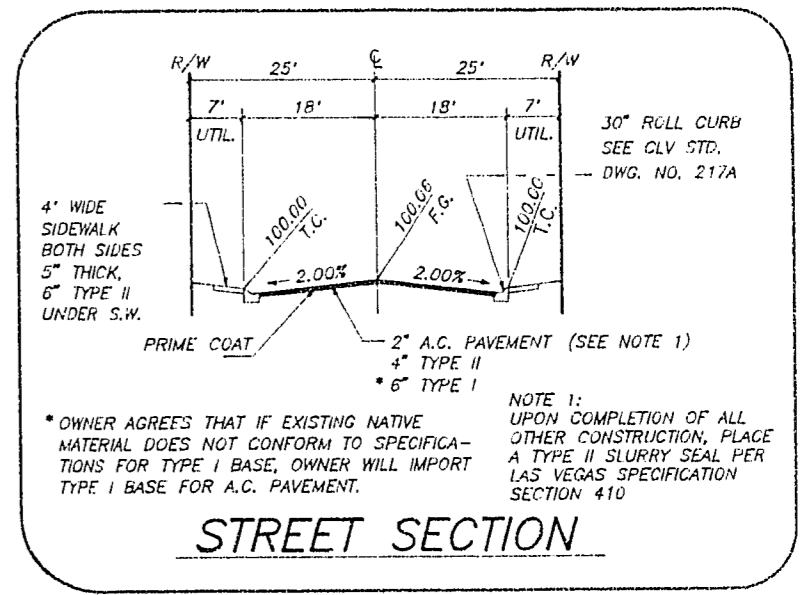
CURVE TABLE

CURVE	DELTA	RADIUS	LENGTH	TANGENT
1	0°12'00"	20.00'	31.88'	20.47'
2	0°14'00"	91.00'	58.77'	29.39'
3	0°35'03"	918.00'	61.57'	30.79'
4	0°50'25"	882.00'	77.59'	38.92'
5	1°34'20"	918.00'	219.54'	110.30'
6	1°34'20"	900.00'	215.24'	108.14'
7	0°35'03"	918.00'	61.59'	30.81'
8	1°34'20"	882.00'	210.93'	105.97'
9	0°45'07"	882.00'	70.88'	35.11'
10	0°20'53"	918.00'	37.62'	18.21'
11	0°04'36"	882.00'	62.78'	31.40'
12	0°15'08"	1592.00'	34.38'	17.29'

CURVE TABLE

CURVE	DELTA	RADIUS	LENGTH	TANGENT
13	0°04'45"	1618.00'	2.24'	1.12'
14	0°21'54"	1592.00'	62.45'	31.03'
15	0°22'53"	1618.00'	70.07'	35.04'
16	0°71'08"	1592.00'	198.40'	99.33'
17	0°71'08"	1600.00'	200.88'	100.48'
18	0°21'54"	1592.00'	62.32'	31.16'
19	0°71'08"	1618.00'	202.92'	101.59'
20	0°21'25"	1618.00'	61.85'	30.93'
21	0°12'35"	1592.00'	38.08'	18.53'
22	0°11'12"	1618.00'	61.75'	30.88'
23	0°14'53"	1618.00'	7.00'	3.50'

HOPE FOREST DRIVE



REVISIONS

REV.	DATE	DESCRIPTION
1		
2		
3		
4		
5		
6		
7		
8		
9		
10		
11		
12		
13		
14		
15		
16		
17		
18		
19		
20		
21		
22		
23		
24		
25		
26		
27		
28		
29		
30		
31		
32		
33		
34		
35		
36		
37		
38		
39		
40		
41		
42		
43		
44		
45		
46		
47		
48		
49		
50		
51		
52		
53		
54		
55		
56		
57		
58		
59		
60		
61		
62		
63		
64		
65		
66		
67		
68		
69		
70		
71		
72		
73		
74		
75		
76		
77		
78		
79		
80		
81		
82		
83		
84		
85		
86		
87		
88		
89		
90		
91		
92		
93		
94		
95		
96		
97		
98		
99		
100		

RECORDED BY: MICHAEL D. JAMES
REGISTERED PROFESSIONAL ENGINEER
STATE OF NEVADA
NO. 6216
P.E. NO. 4000

DEL WEBB COMMUNITIES, INC.
SUN CITY LAS VEGAS UNIT NO. 40
HOPE FOREST DR.

G.C. WALLACE, INC.
Engineering/Architecture
1555 SOUTH KIMBERLY BLVD., LAS VEGAS, NEVADA 89102

SHEET 14 OF 32 SHEETS

JOB NO. 701-170

10-9-14 107Y-4141-40