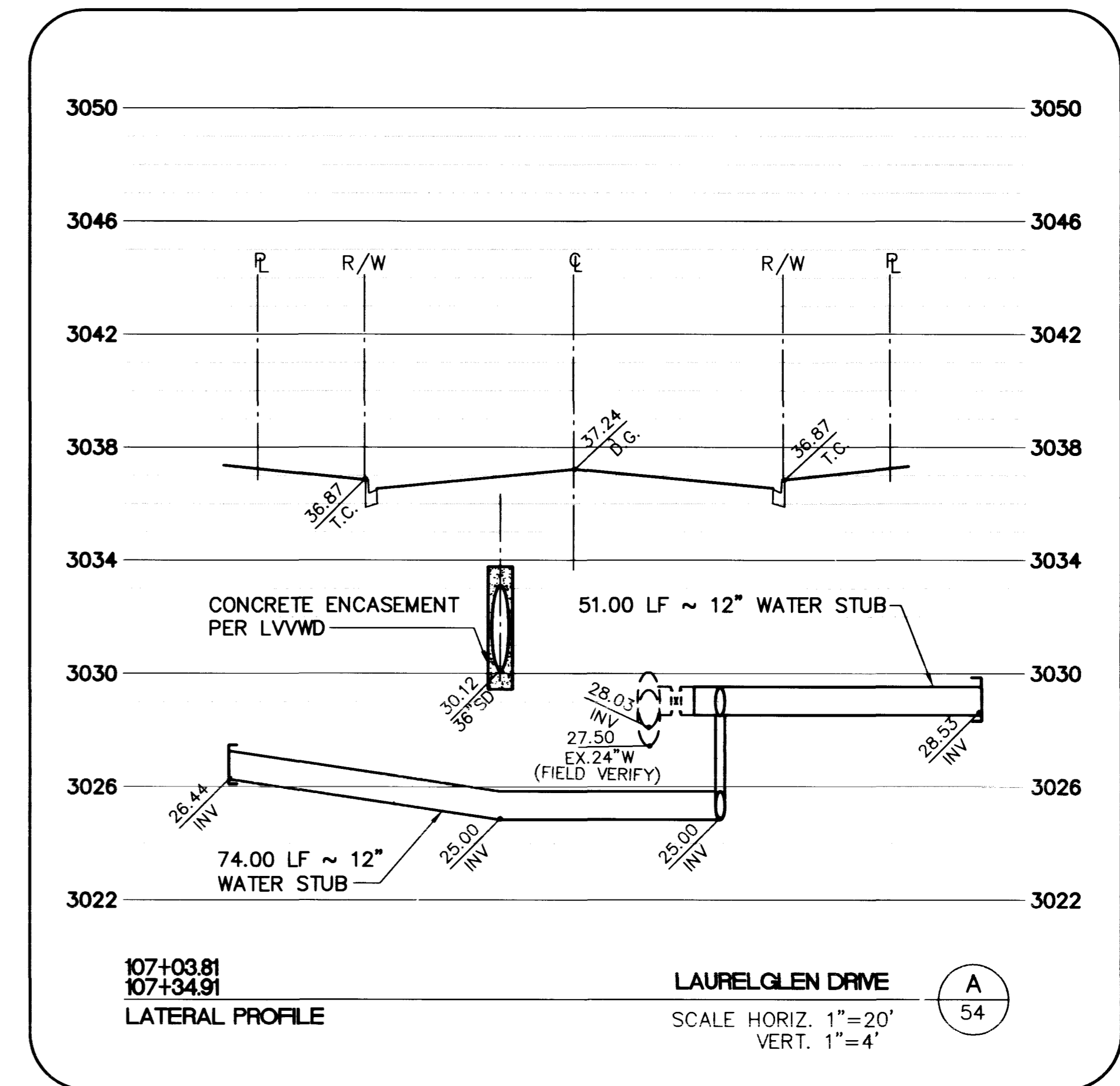
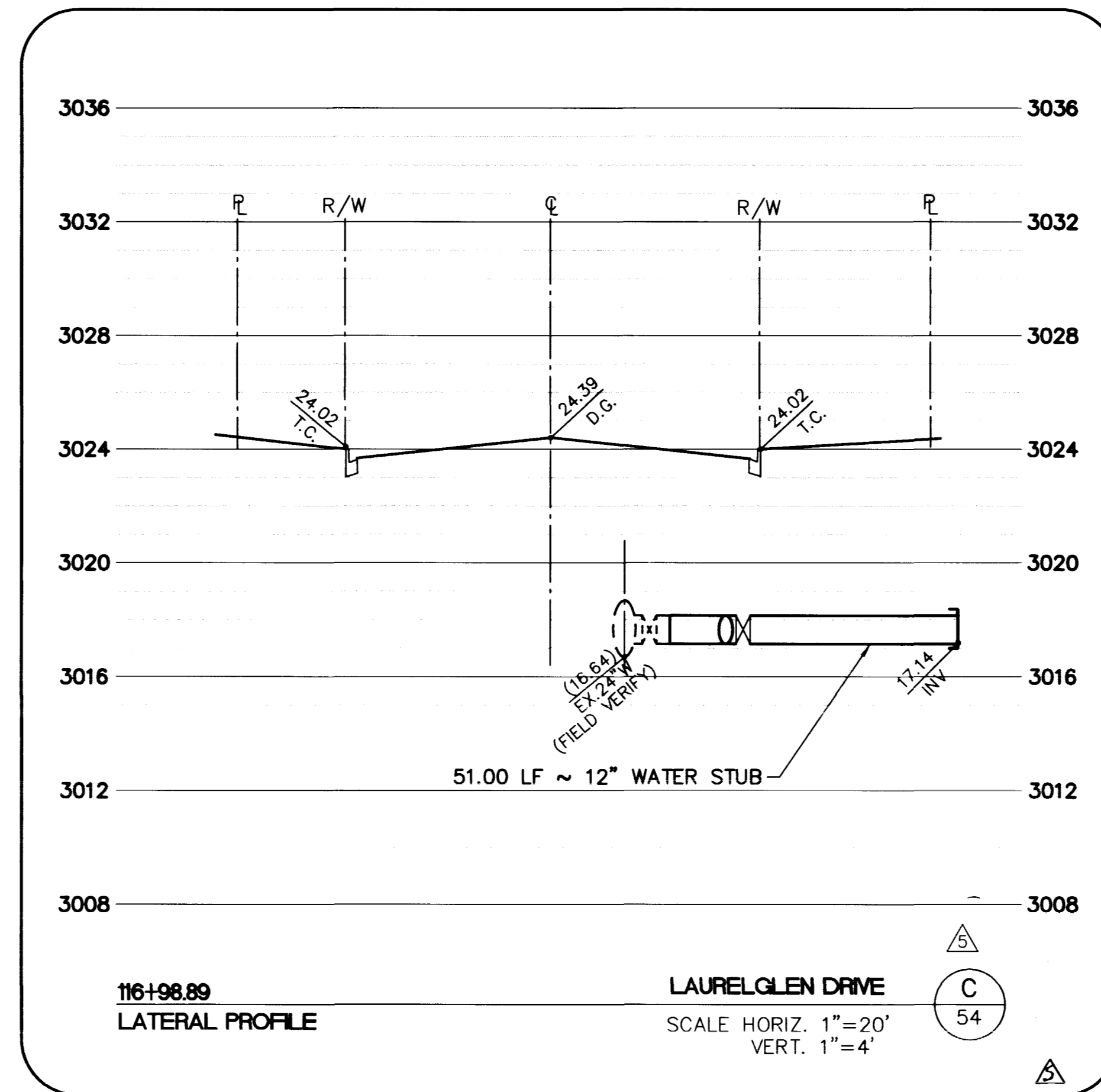
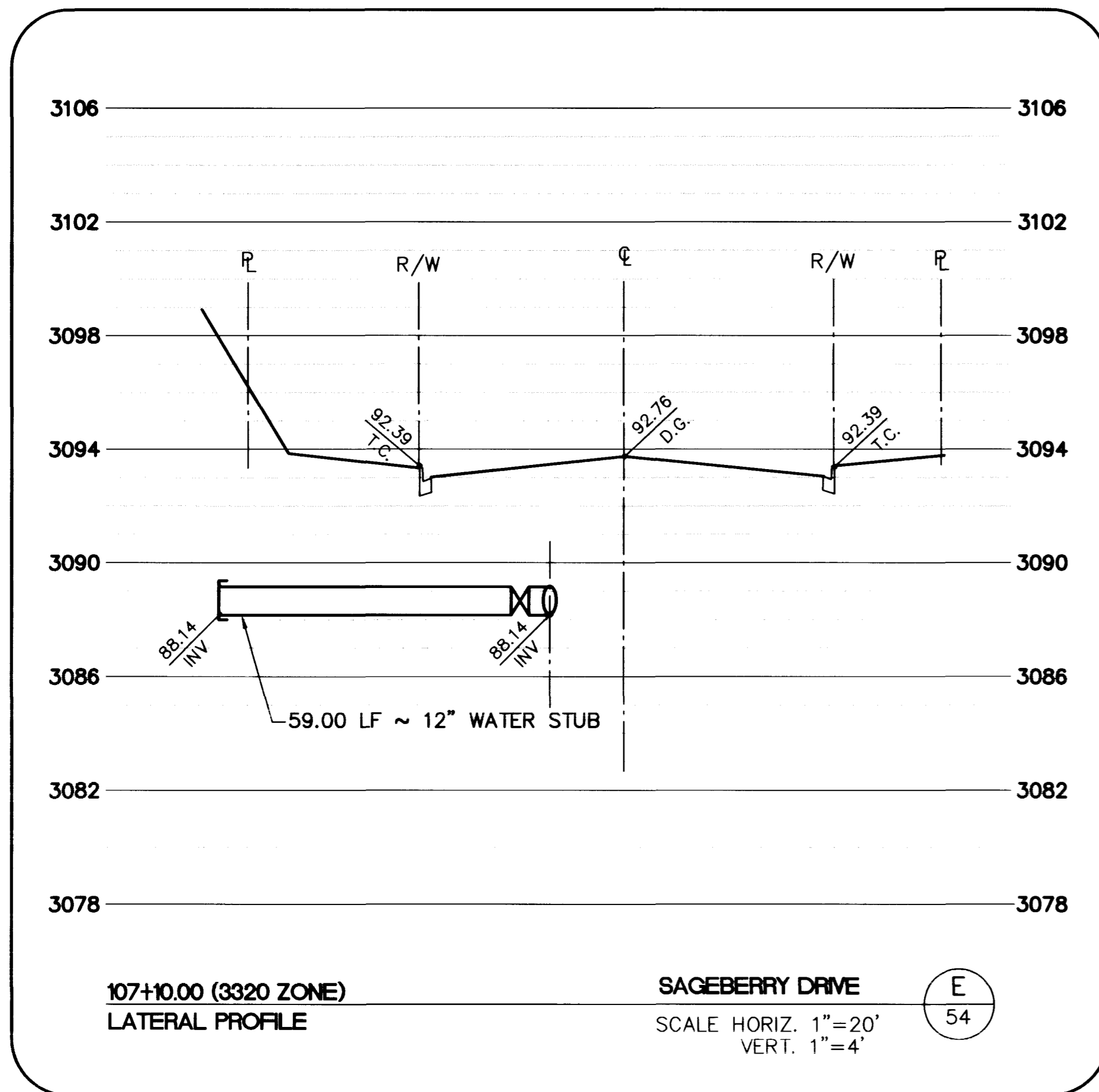


RECORD DRAWINGS  
 THESE PLANS SHOW RECORD INFORMATION RECEIVED FROM:  
 CONTRACTOR: **TAB CONTRACTORS**  
 DATE: **APRIL 1997**  
 THIS DATA MAY OR MAY NOT REFLECT THE ACTUAL FIELD LOCATIONS. ALL DATA SHOULD BE CONFIRMED PRIOR TO USE ON DEVELOPMENT OR ENGINEERING PLANS.



APPROVED FOR CONSTRUCTION  
 151 APR 5 1996  
 8-28-96  
 DATE

RECOMMENDED BY: CHRISTOPHER W. ANDERSON  
 DATE: 5/7/96  
 R.F.E. NO.: 5071  
 DATE: 5/7/96

RECORD DRAWING INFORMATION  
 REV. NO. DATE DESCRIPTION  
 1/28/98 REV. ST. NAME FROM STA. 156+39.83 TO 177+18.16  
 2/22/98 REVISED DESIGN GRADE AND ELEV. AND WATER STUBS TO PARCEL 1  
 8/7/96 REVISED STORM DRAIN, SEWER AND WATER STUBS TO PARCEL 2  
 8/7/96 REVISED WATER STUB TO PARCELS 2 AND CH-2 AND F.H.  
 3-5-99 REV. DATE DESCRIPTION

STATE OF NEVADA  
 PROFESSIONAL ENGINEER  
 CHRISTOPHER W. ANDERSON  
 5071  
 RAINBOW BLVD., LAS VEGAS, NEVADA 89102

G.C. WALLACE, INC.  
 Engineering/Architecture  
 1555 SOUTH RAINBOW BLVD., LAS VEGAS, NEVADA 89102

SUMMERLIN  
 VILLAGE 11/12 THE ARBORS - UNIT 2A  
 LAUREL GLEN DRIVE, SAGEBERRY DRIVE  
 AND PAVILION CENTER DRIVE WATER LATERALS

SHEET  
**54**  
 OF 65

