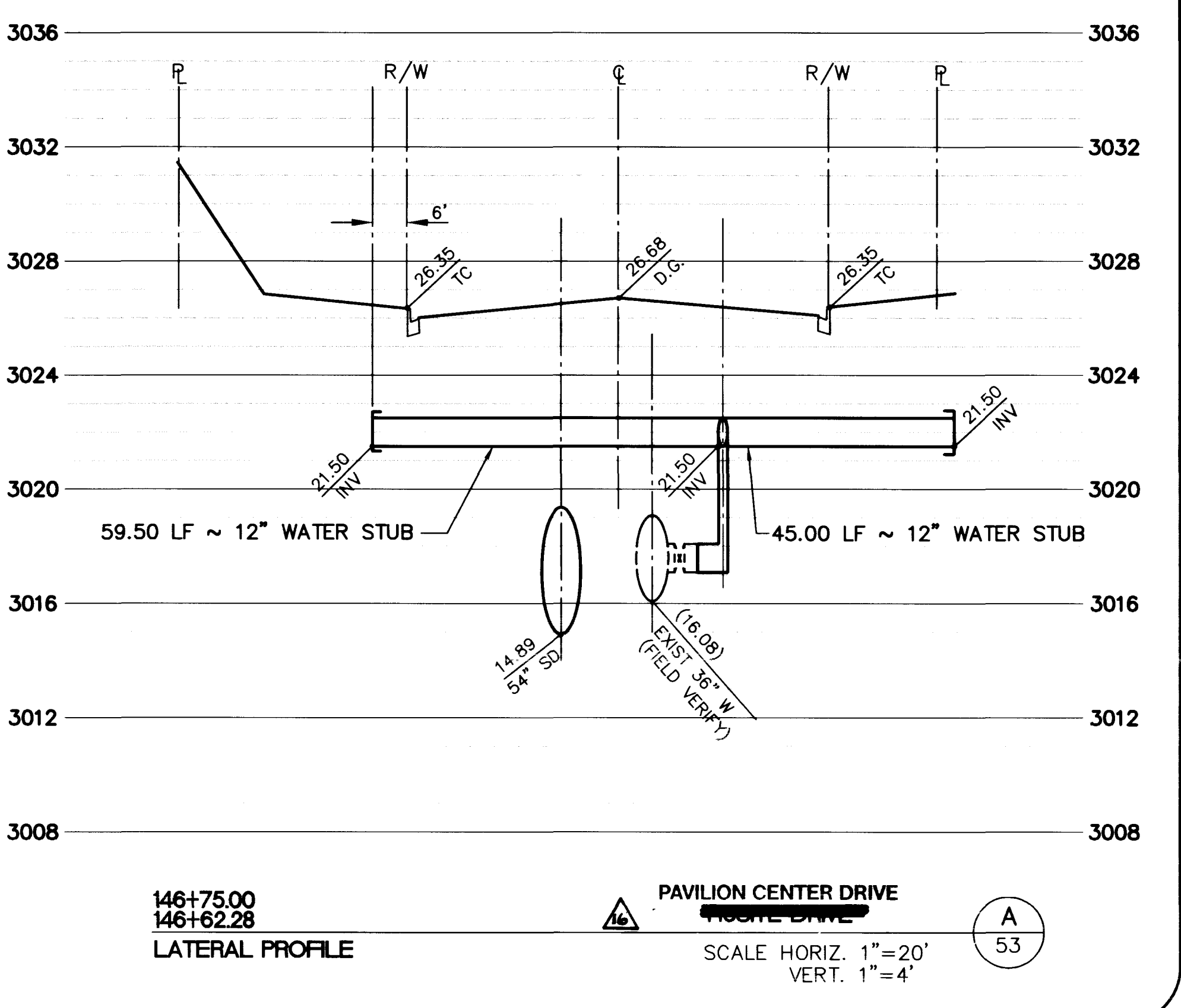
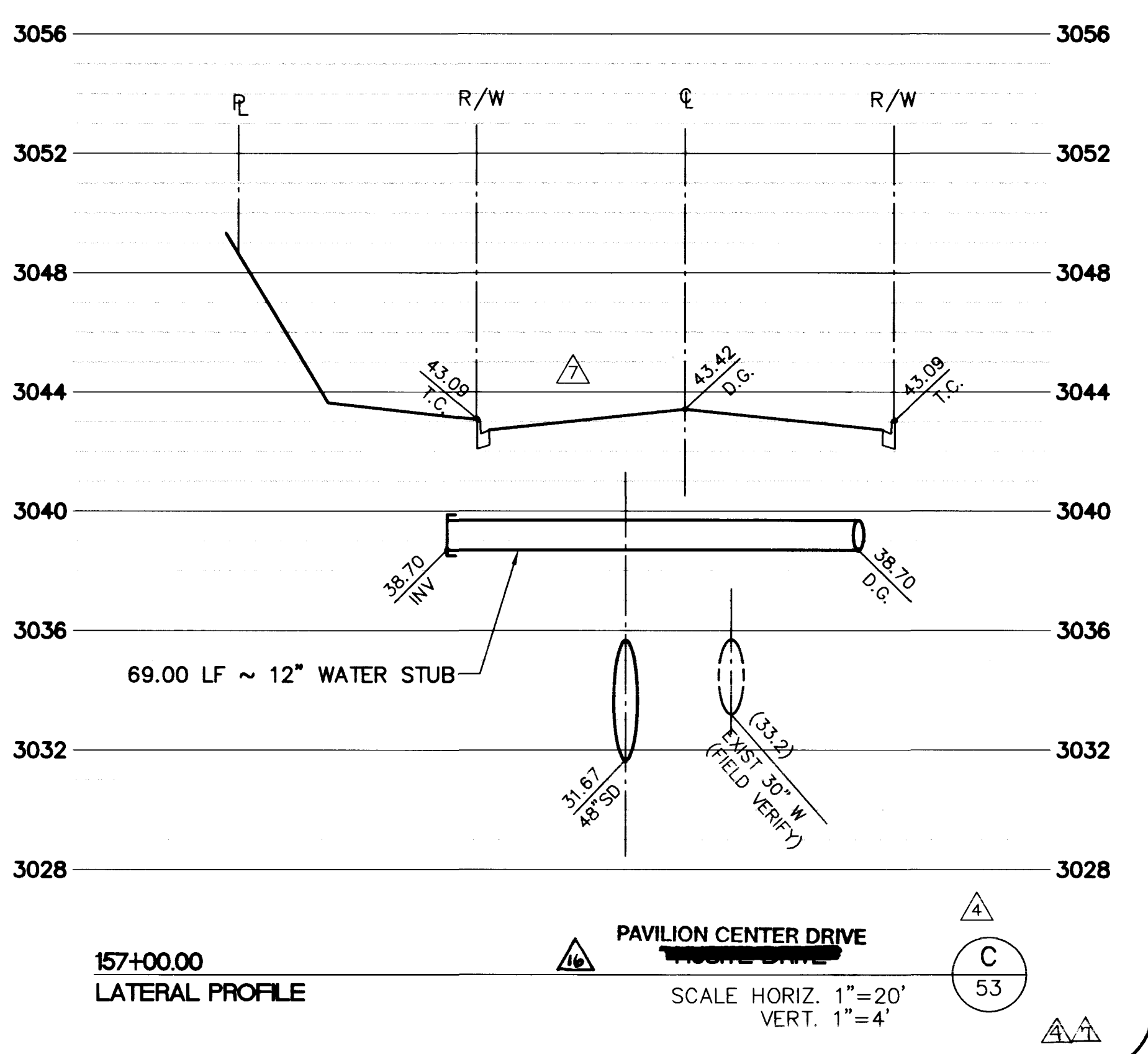
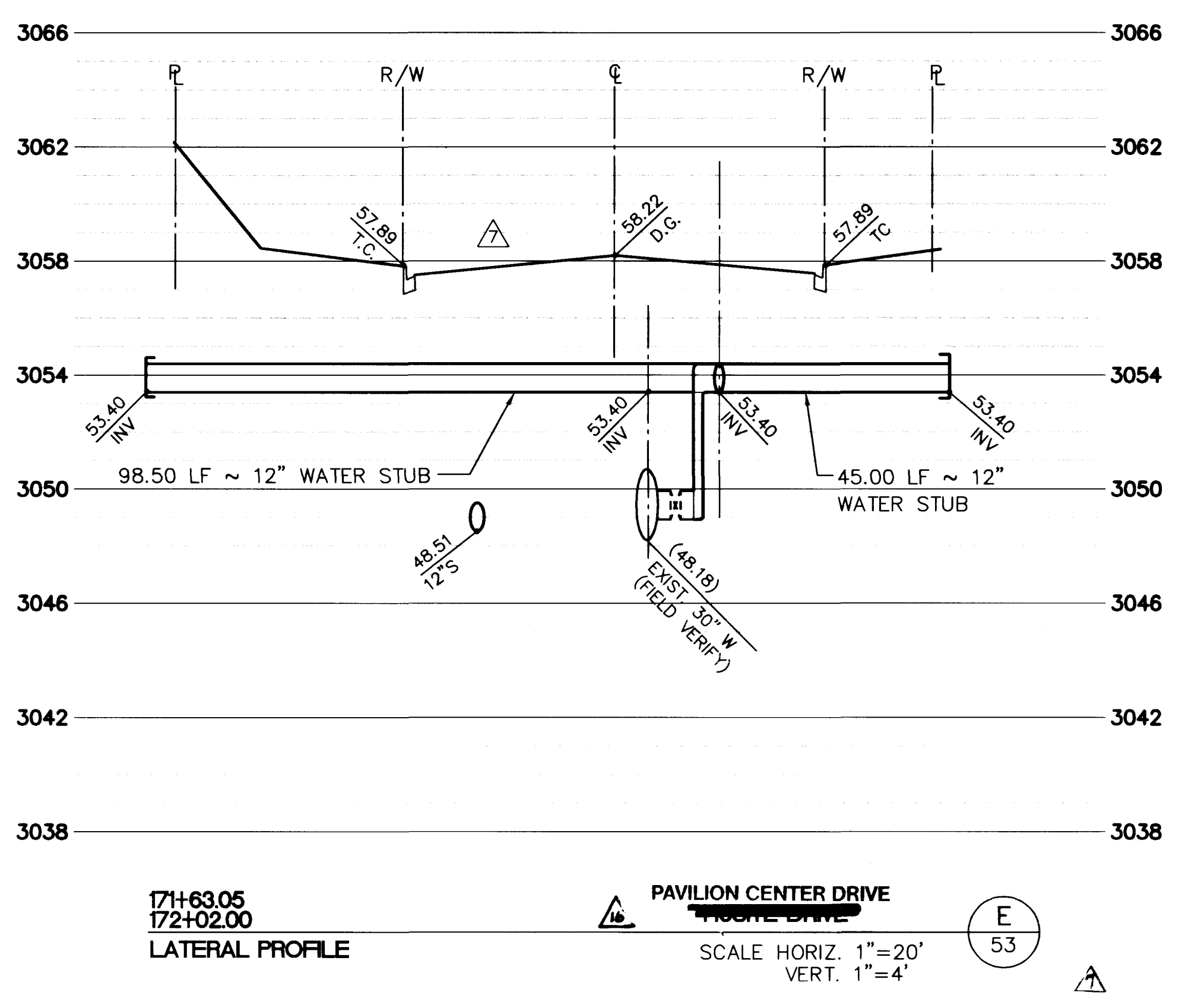
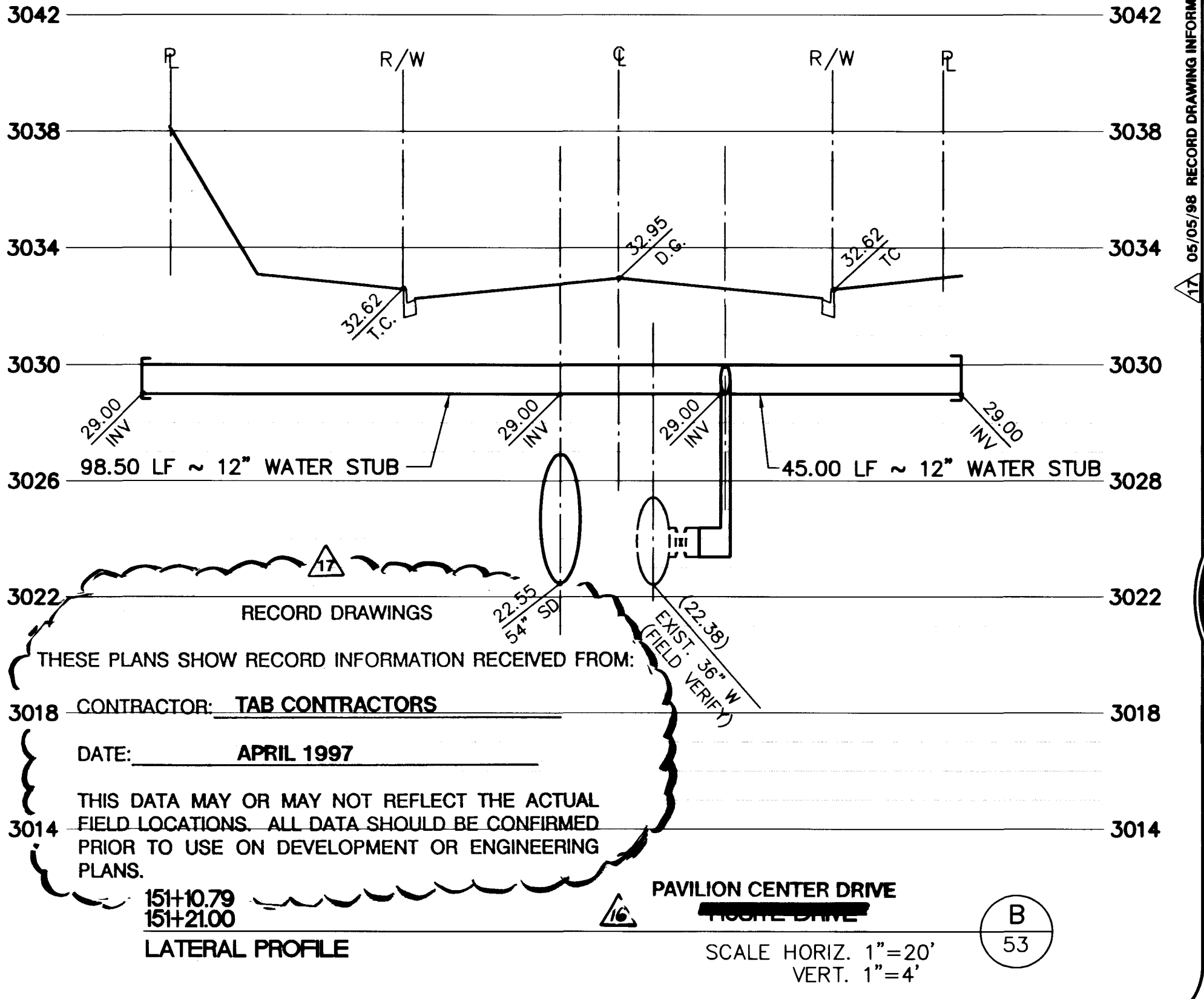
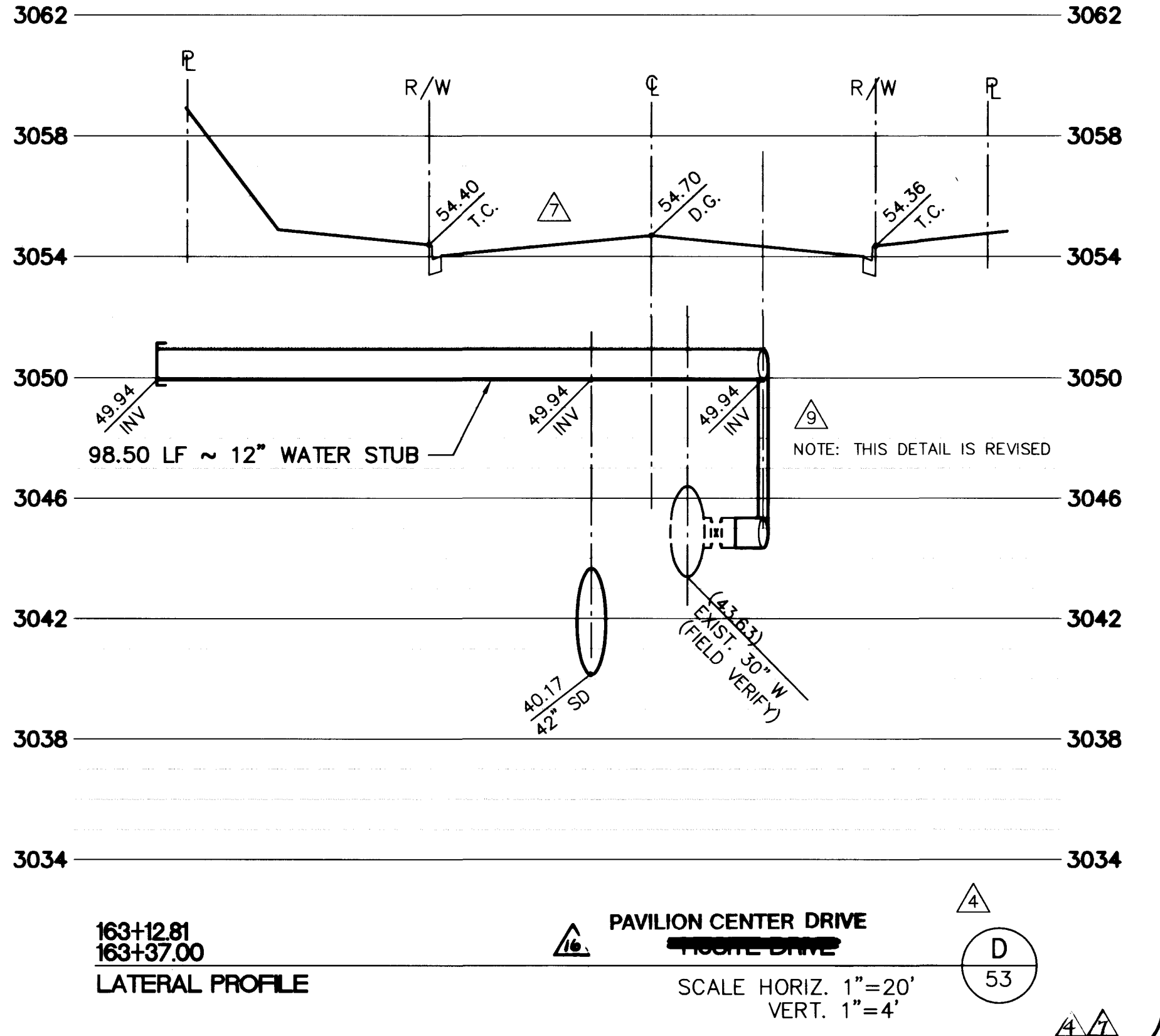
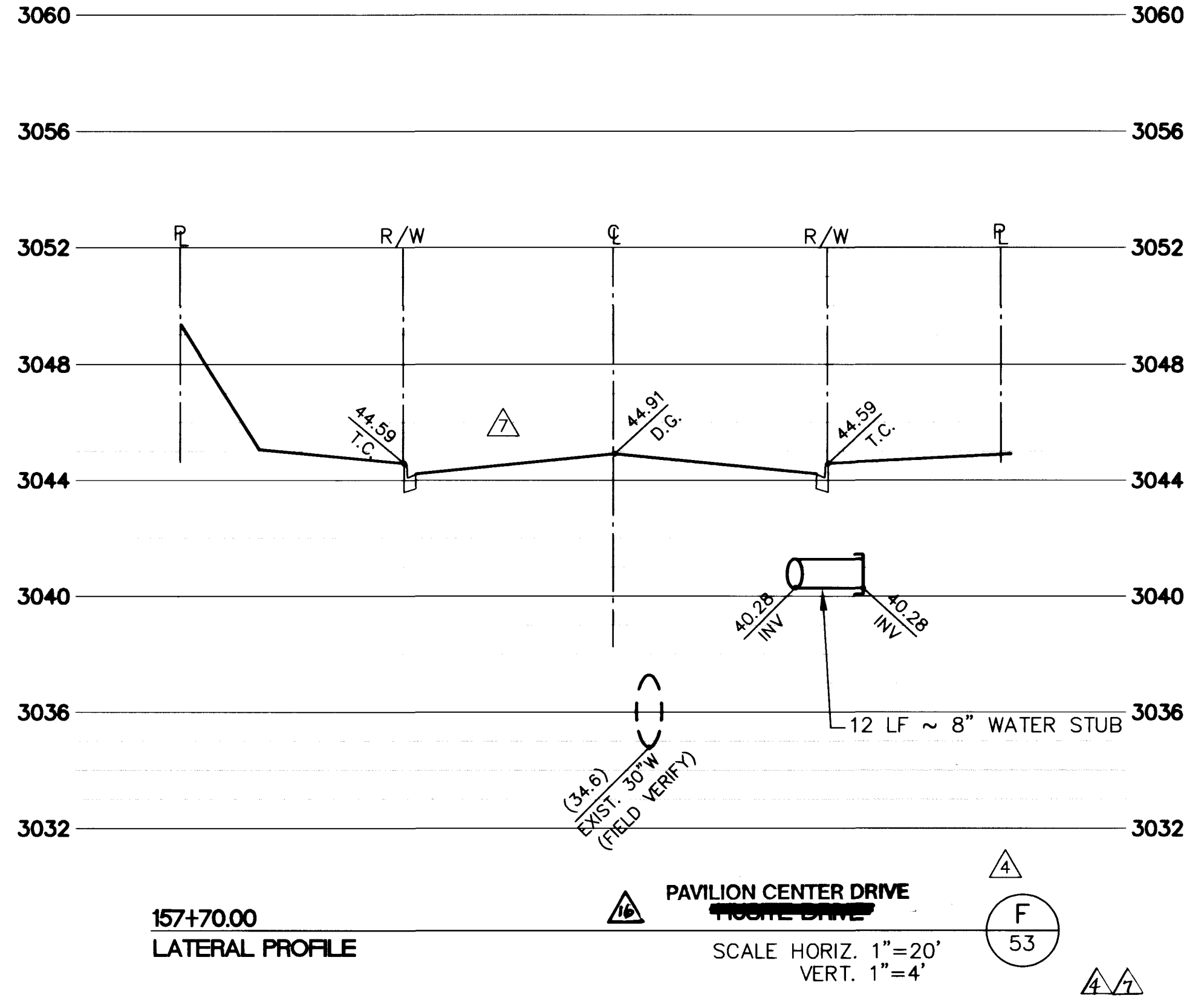


August 23, 1996 10:31:10 a.m. Drawing: C:\DWG\VL17-12\DETAILS\112A-L53.DWG

JOB NO. 62011.212



APPROVED FOR CONSTRUCTION
 1st 11/2 5-31-96
 12/2 8-28-96
 LWWD DATE

FINAL SUBMITTAL

REVISIONS:

NO.	DATE	DESCRIPTION
1	8/7/96	REVISED WATER STUB TO PARCELS 2 AND CH-2 AND F.H.
2	8/7/96	REVISED WATER STUB TO PARCELS 2 AND CH-2 AND F.H.
3	8/7/96	REVISED WATER STUB TO PARCELS 2 AND CH-2 AND F.H.
4	8/7/96	REVISED WATER STUB TO PARCELS 2 AND CH-2 AND F.H.
5	8/7/96	REVISED WATER STUB TO PARCELS 2 AND CH-2 AND F.H.
6	8/7/96	REVISED WATER STUB TO PARCELS 2 AND CH-2 AND F.H.
7	8/7/96	REVISED WATER STUB TO PARCELS 2 AND CH-2 AND F.H.
8	8/7/96	REVISED WATER STUB TO PARCELS 2 AND CH-2 AND F.H.
9	8/7/96	REVISED WATER STUB TO PARCELS 2 AND CH-2 AND F.H.
10	8/7/96	REVISED WATER STUB TO PARCELS 2 AND CH-2 AND F.H.
11	8/7/96	REVISED WATER STUB TO PARCELS 2 AND CH-2 AND F.H.
12	8/7/96	REVISED WATER STUB TO PARCELS 2 AND CH-2 AND F.H.
13	8/7/96	REVISED WATER STUB TO PARCELS 2 AND CH-2 AND F.H.
14	8/7/96	REVISED WATER STUB TO PARCELS 2 AND CH-2 AND F.H.
15	8/7/96	REVISED WATER STUB TO PARCELS 2 AND CH-2 AND F.H.
16	8/7/96	REVISED WATER STUB TO PARCELS 2 AND CH-2 AND F.H.
17	8/7/96	REVISED WATER STUB TO PARCELS 2 AND CH-2 AND F.H.
18	8/7/96	REVISED WATER STUB TO PARCELS 2 AND CH-2 AND F.H.
19	8/7/96	REVISED WATER STUB TO PARCELS 2 AND CH-2 AND F.H.
20	8/7/96	REVISED WATER STUB TO PARCELS 2 AND CH-2 AND F.H.
21	8/7/96	REVISED WATER STUB TO PARCELS 2 AND CH-2 AND F.H.
22	8/7/96	REVISED WATER STUB TO PARCELS 2 AND CH-2 AND F.H.
23	8/7/96	REVISED WATER STUB TO PARCELS 2 AND CH-2 AND F.H.
24	8/7/96	REVISED WATER STUB TO PARCELS 2 AND CH-2 AND F.H.
25	8/7/96	REVISED WATER STUB TO PARCELS 2 AND CH-2 AND F.H.
26	8/7/96	REVISED WATER STUB TO PARCELS 2 AND CH-2 AND F.H.
27	8/7/96	REVISED WATER STUB TO PARCELS 2 AND CH-2 AND F.H.
28	8/7/96	REVISED WATER STUB TO PARCELS 2 AND CH-2 AND F.H.
29	8/7/96	REVISED WATER STUB TO PARCELS 2 AND CH-2 AND F.H.
30	8/7/96	REVISED WATER STUB TO PARCELS 2 AND CH-2 AND F.H.
31	8/7/96	REVISED WATER STUB TO PARCELS 2 AND CH-2 AND F.H.
32	8/7/96	REVISED WATER STUB TO PARCELS 2 AND CH-2 AND F.H.
33	8/7/96	REVISED WATER STUB TO PARCELS 2 AND CH-2 AND F.H.
34	8/7/96	REVISED WATER STUB TO PARCELS 2 AND CH-2 AND F.H.
35	8/7/96	REVISED WATER STUB TO PARCELS 2 AND CH-2 AND F.H.
36	8/7/96	REVISED WATER STUB TO PARCELS 2 AND CH-2 AND F.H.
37	8/7/96	REVISED WATER STUB TO PARCELS 2 AND CH-2 AND F.H.
38	8/7/96	REVISED WATER STUB TO PARCELS 2 AND CH-2 AND F.H.
39	8/7/96	REVISED WATER STUB TO PARCELS 2 AND CH-2 AND F.H.
40	8/7/96	REVISED WATER STUB TO PARCELS 2 AND CH-2 AND F.H.
41	8/7/96	REVISED WATER STUB TO PARCELS 2 AND CH-2 AND F.H.
42	8/7/96	REVISED WATER STUB TO PARCELS 2 AND CH-2 AND F.H.
43	8/7/96	REVISED WATER STUB TO PARCELS 2 AND CH-2 AND F.H.
44	8/7/96	REVISED WATER STUB TO PARCELS 2 AND CH-2 AND F.H.
45	8/7/96	REVISED WATER STUB TO PARCELS 2 AND CH-2 AND F.H.
46	8/7/96	REVISED WATER STUB TO PARCELS 2 AND CH-2 AND F.H.
47	8/7/96	REVISED WATER STUB TO PARCELS 2 AND CH-2 AND F.H.
48	8/7/96	REVISED WATER STUB TO PARCELS 2 AND CH-2 AND F.H.
49	8/7/96	REVISED WATER STUB TO PARCELS 2 AND CH-2 AND F.H.
50	8/7/96	REVISED WATER STUB TO PARCELS 2 AND CH-2 AND F.H.
51	8/7/96	REVISED WATER STUB TO PARCELS 2 AND CH-2 AND F.H.
52	8/7/96	REVISED WATER STUB TO PARCELS 2 AND CH-2 AND F.H.
53	8/7/96	REVISED WATER STUB TO PARCELS 2 AND CH-2 AND F.H.
54	8/7/96	REVISED WATER STUB TO PARCELS 2 AND CH-2 AND F.H.
55	8/7/96	REVISED WATER STUB TO PARCELS 2 AND CH-2 AND F.H.
56	8/7/96	REVISED WATER STUB TO PARCELS 2 AND CH-2 AND F.H.
57	8/7/96	REVISED WATER STUB TO PARCELS 2 AND CH-2 AND F.H.
58	8/7/96	REVISED WATER STUB TO PARCELS 2 AND CH-2 AND F.H.
59	8/7/96	REVISED WATER STUB TO PARCELS 2 AND CH-2 AND F.H.
60	8/7/96	REVISED WATER STUB TO PARCELS 2 AND CH-2 AND F.H.
61	8/7/96	REVISED WATER STUB TO PARCELS 2 AND CH-2 AND F.H.
62	8/7/96	REVISED WATER STUB TO PARCELS 2 AND CH-2 AND F.H.
63	8/7/96	REVISED WATER STUB TO PARCELS 2 AND CH-2 AND F.H.
64	8/7/96	REVISED WATER STUB TO PARCELS 2 AND CH-2 AND F.H.
65	8/7/96	REVISED WATER STUB TO PARCELS 2 AND CH-2 AND F.H.
66	8/7/96	REVISED WATER STUB TO PARCELS 2 AND CH-2 AND F.H.
67	8/7/96	REVISED WATER STUB TO PARCELS 2 AND CH-2 AND F.H.
68	8/7/96	REVISED WATER STUB TO PARCELS 2 AND CH-2 AND F.H.
69	8/7/96	REVISED WATER STUB TO PARCELS 2 AND CH-2 AND F.H.
70	8/7/96	REVISED WATER STUB TO PARCELS 2 AND CH-2 AND F.H.
71	8/7/96	REVISED WATER STUB TO PARCELS 2 AND CH-2 AND F.H.
72	8/7/96	REVISED WATER STUB TO PARCELS 2 AND CH-2 AND F.H.
73	8/7/96	REVISED WATER STUB TO PARCELS 2 AND CH-2 AND F.H.
74	8/7/96	REVISED WATER STUB TO PARCELS 2 AND CH-2 AND F.H.
75	8/7/96	REVISED WATER STUB TO PARCELS 2 AND CH-2 AND F.H.
76	8/7/96	REVISED WATER STUB TO PARCELS 2 AND CH-2 AND F.H.
77	8/7/96	REVISED WATER STUB TO PARCELS 2 AND CH-2 AND F.H.
78	8/7/96	REVISED WATER STUB TO PARCELS 2 AND CH-2 AND F.H.
79	8/7/96	REVISED WATER STUB TO PARCELS 2 AND CH-2 AND F.H.
80	8/7/96	REVISED WATER STUB TO PARCELS 2 AND CH-2 AND F.H.
81	8/7/96	REVISED WATER STUB TO PARCELS 2 AND CH-2 AND F.H.
82	8/7/96	REVISED WATER STUB TO PARCELS 2 AND CH-2 AND F.H.
83	8/7/96	REVISED WATER STUB TO PARCELS 2 AND CH-2 AND F.H.
84	8/7/96	REVISED WATER STUB TO PARCELS 2 AND CH-2 AND F.H.
85	8/7/96	REVISED WATER STUB TO PARCELS 2 AND CH-2 AND F.H.
86	8/7/96	REVISED WATER STUB TO PARCELS 2 AND CH-2 AND F.H.
87	8/7/96	REVISED WATER STUB TO PARCELS 2 AND CH-2 AND F.H.
88	8/7/96	REVISED WATER STUB TO PARCELS 2 AND CH-2 AND F.H.
89	8/7/96	REVISED WATER STUB TO PARCELS 2 AND CH-2 AND F.H.
90	8/7/96	REVISED WATER STUB TO PARCELS 2 AND CH-2 AND F.H.
91	8/7/96	REVISED WATER STUB TO PARCELS 2 AND CH-2 AND F.H.
92	8/7/96	REVISED WATER STUB TO PARCELS 2 AND CH-2 AND F.H.
93	8/7/96	REVISED WATER STUB TO PARCELS 2 AND CH-2 AND F.H.
94	8/7/96	REVISED WATER STUB TO PARCELS 2 AND CH-2 AND F.H.
95	8/7/96	REVISED WATER STUB TO PARCELS 2 AND CH-2 AND F.H.
96	8/7/96	REVISED WATER STUB TO PARCELS 2 AND CH-2 AND F.H.
97	8/7/96	REVISED WATER STUB TO PARCELS 2 AND CH-2 AND F.H.
98	8/7/96	REVISED WATER STUB TO PARCELS 2 AND CH-2 AND F.H.
99	8/7/96	REVISED WATER STUB TO PARCELS 2 AND CH-2 AND F.H.
100	8/7/96	REVISED WATER STUB TO PARCELS 2 AND CH-2 AND F.H.

RECOMMENDED BY: CHRISTOPHER W. ANDERSON
 ENGINEER: CHRISTOPHER W. ANDERSON
 LICENSE NO.: 5071
 STATE OF NEVADA

G.C. WALLACE, INC.
 Engineering/Architecture
 1555 SOUTH RAINBOW BLVD., LAS VEGAS, NEVADA 89102

VILLAGE 11/12 THE ARBORS - UNIT 2A
 PAVILION CENTER DRIVE
 WATER LATERALS

SHEET **53**
 SHT 53 OF 65

