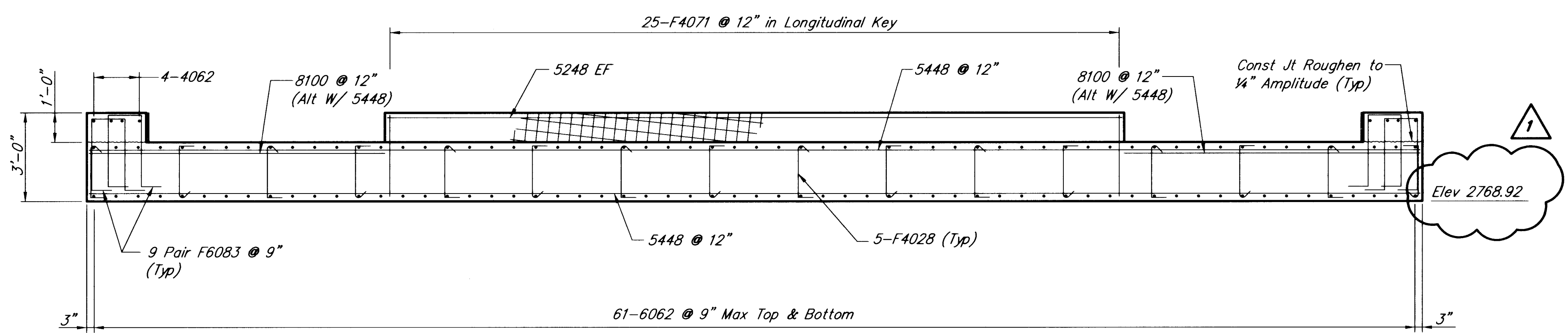


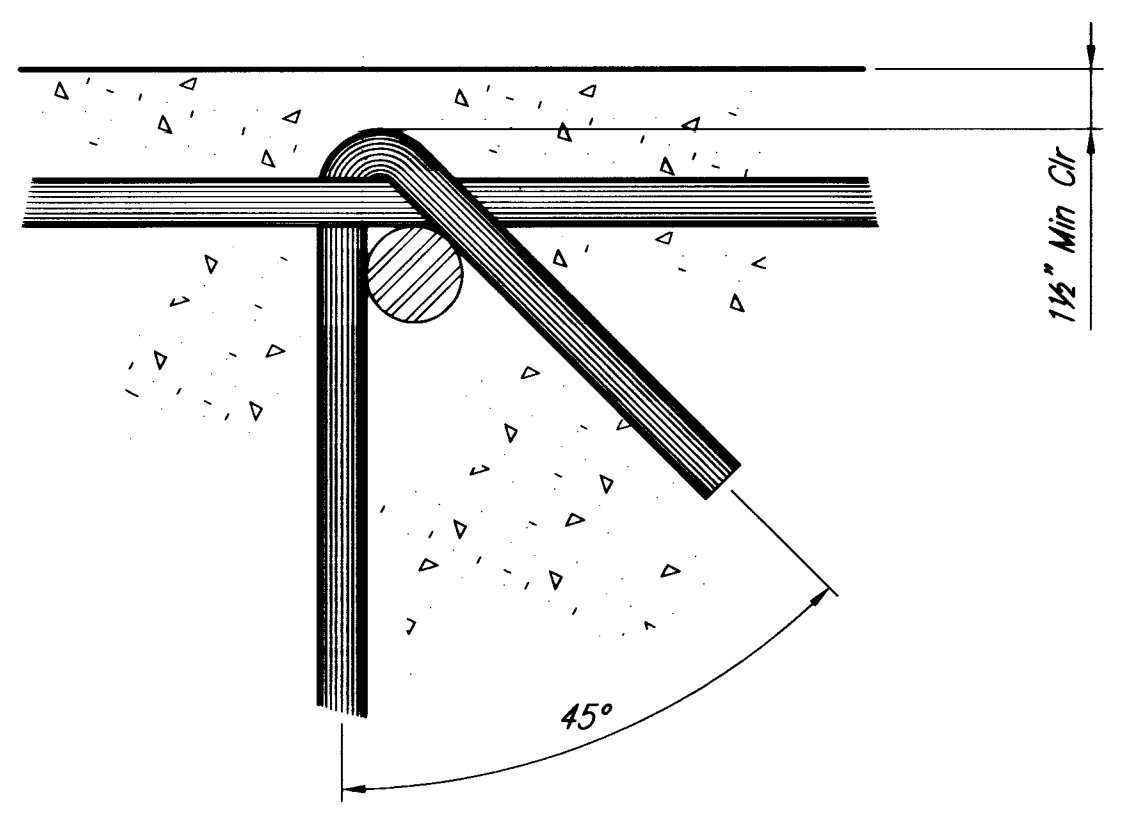
PLAN - ABUTMENT 1
(ABUTMENT 2 SIMILAR)



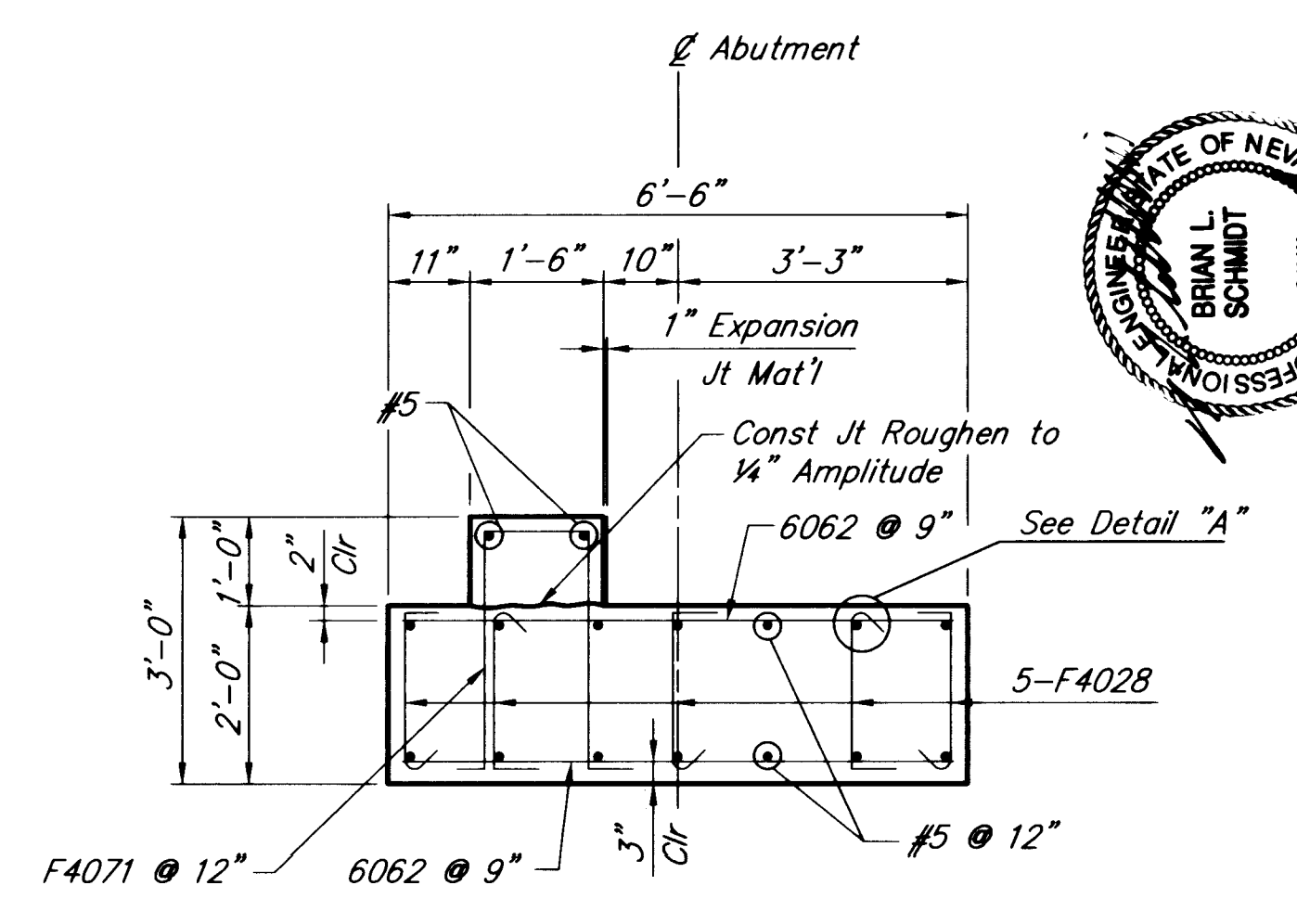
ELEVATION
(BOTH ABUTMENTS)

NOTE: Longitudinal Key and Thrust Blocks are Not To Be Poured Until After Stressing

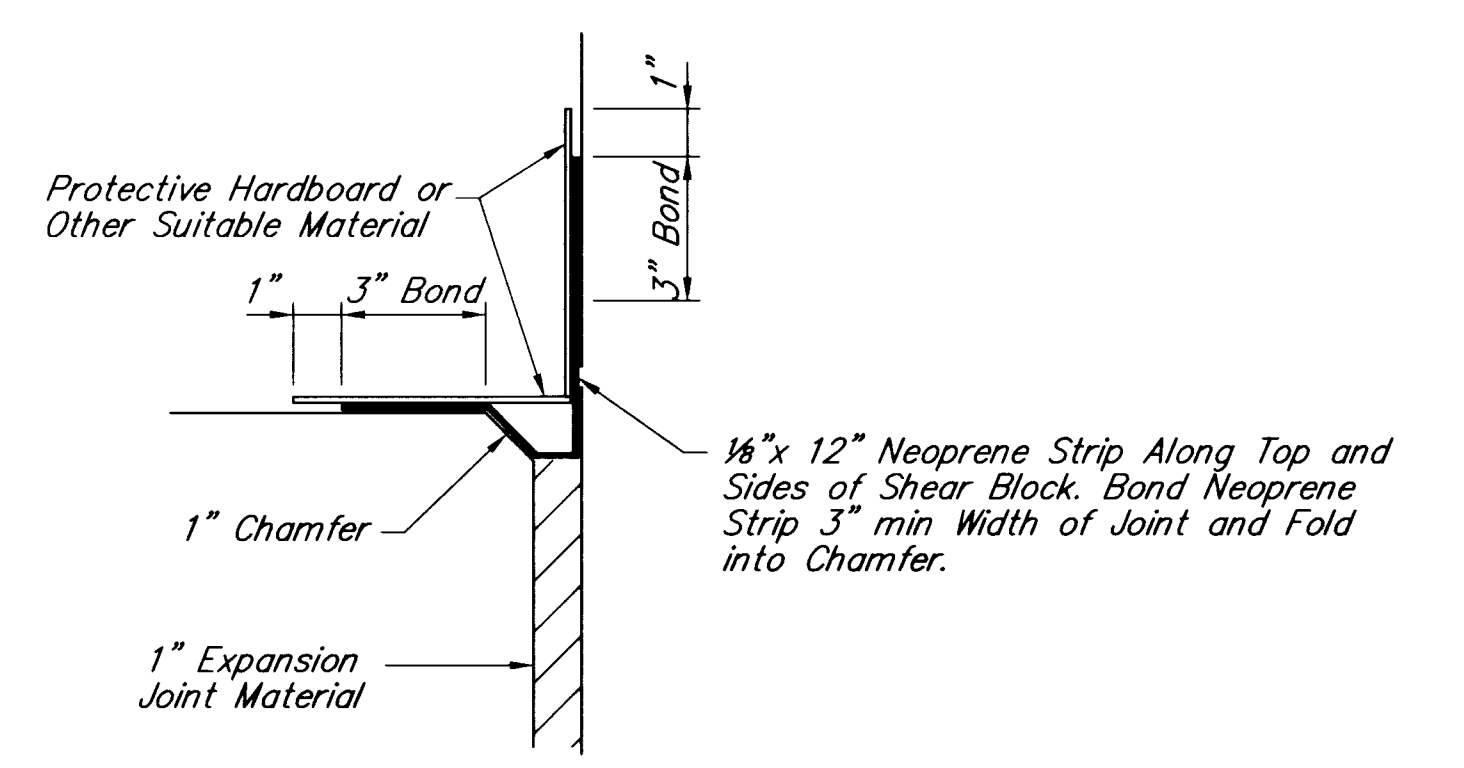
1" Expansion Joint Material



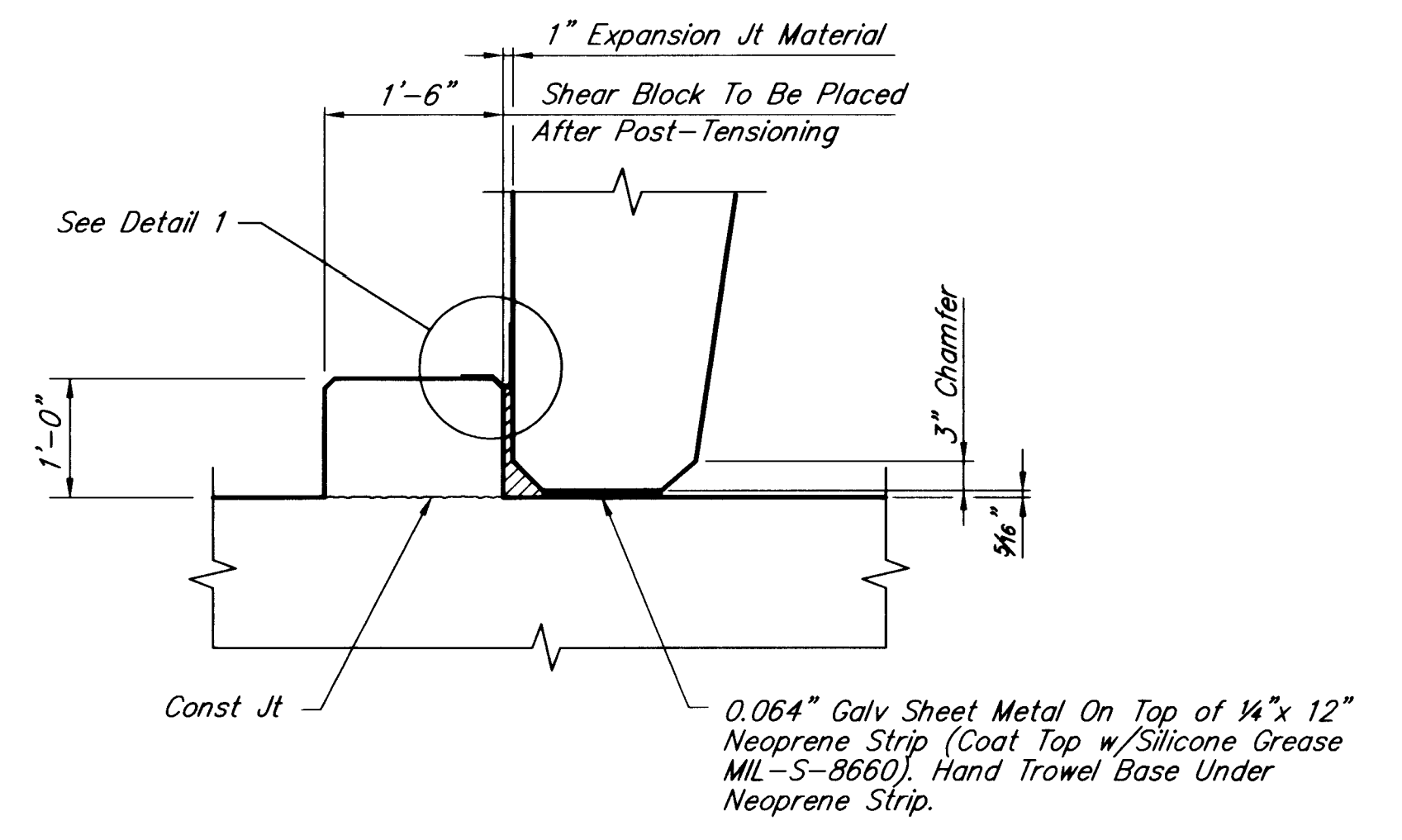
DETAIL "A"



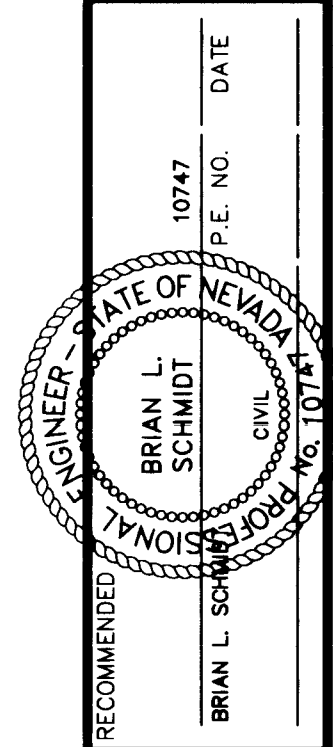
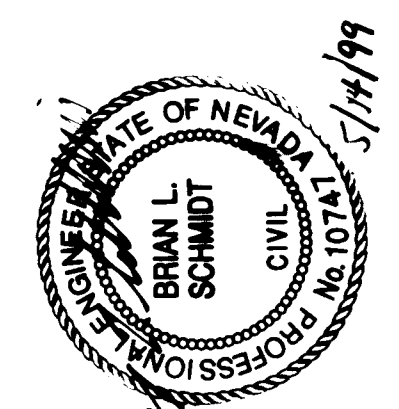
SECTION A-A



DETAIL 1



ABUTMENT SEAT DETAILS



G.C. WALLACE, INC.
Engineering/Architecture
1555 SOUTH RAINBOW BLVD./LAS VEGAS, NEVADA 89102
(702) 363-1200

CITY OF LAS VEGAS
SUMMERLIN PARKWAY
SUMMERLIN PARKWAY OVER TOWN CENTER DRIVE
"SWB" ABUTMENT 1 & 2 FOOTING DETAILS

SHEET
B-5
107V-2975
OF 177 SHEETS

