

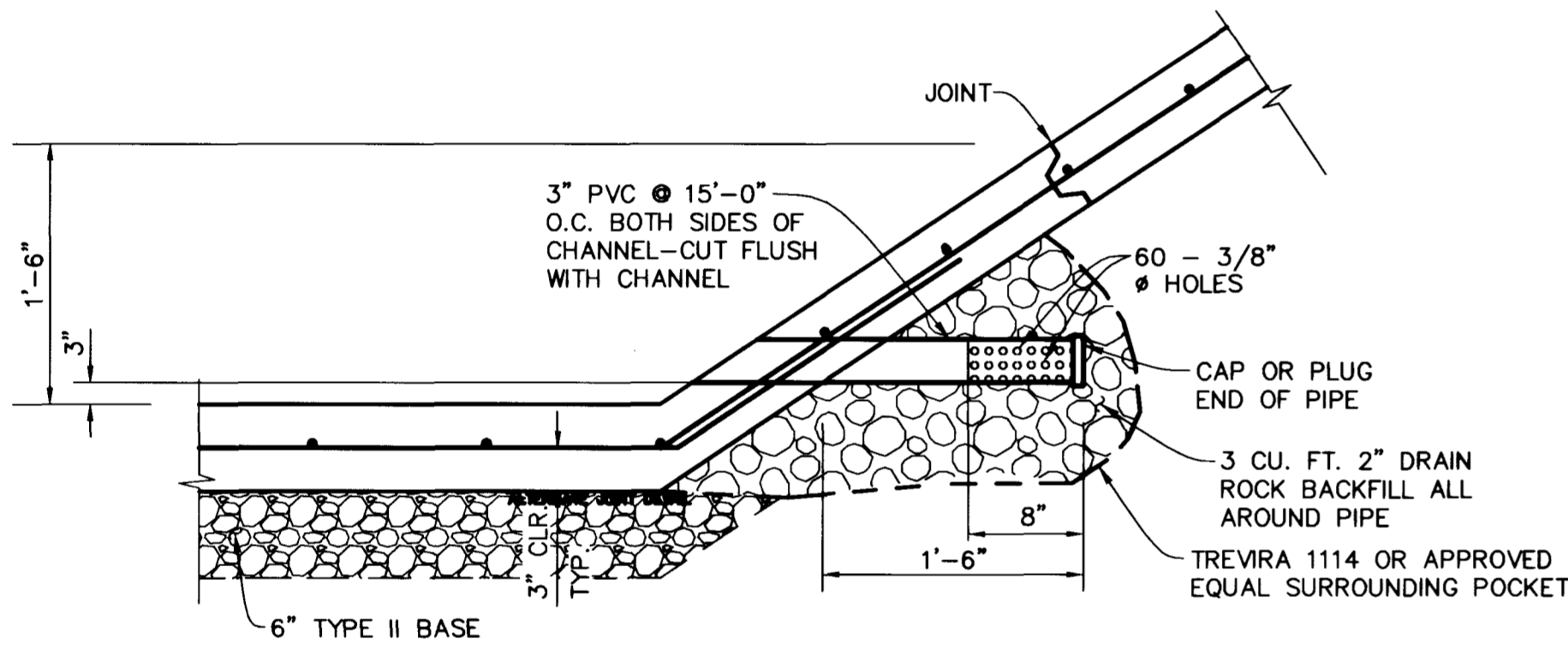
- NOTES:**
- WHERE THE SLOPE OF THE UPSTREAM PIPE IS GREATER THAN THE SLOPE OF THE DOWNSTREAM PIPE, JOIN SOFFITS. WHERE THE SLOPE OF THE UPSTREAM PIPE IS LESS THAN THE SLOPE OF THE DOWNSTREAM PIPE, JOIN INVERTS.
 - WHERE THE SPACE BETWEEN THE PIPE EXTREMITIES EXCEEDS 2 1/2 INCHES, THE NUMBER OF CIRCULAR TIES SHALL BE INCREASED TO MAINTAIN A MAXIMUM SPACING OF 6 INCHES CENTER TO CENTER. CIRCULAR TIES SHALL HAVE A DIAMETER 5 INCHES GREATER THAN THE OUTSIDE DIAMETER OF THE LARGER PIPE.

CIRCULAR TIES:

PIPE DIAMETER	SPACE BETWEEN PIPE EXTREMITIES	NO. OF CIRCULAR TIES
21" or less	2 1/2"	3
24" to 30"	2 1/2" or less	3
33" to 57"	2 1/2" or less	4
60" to 66"	2 1/2" or less	5

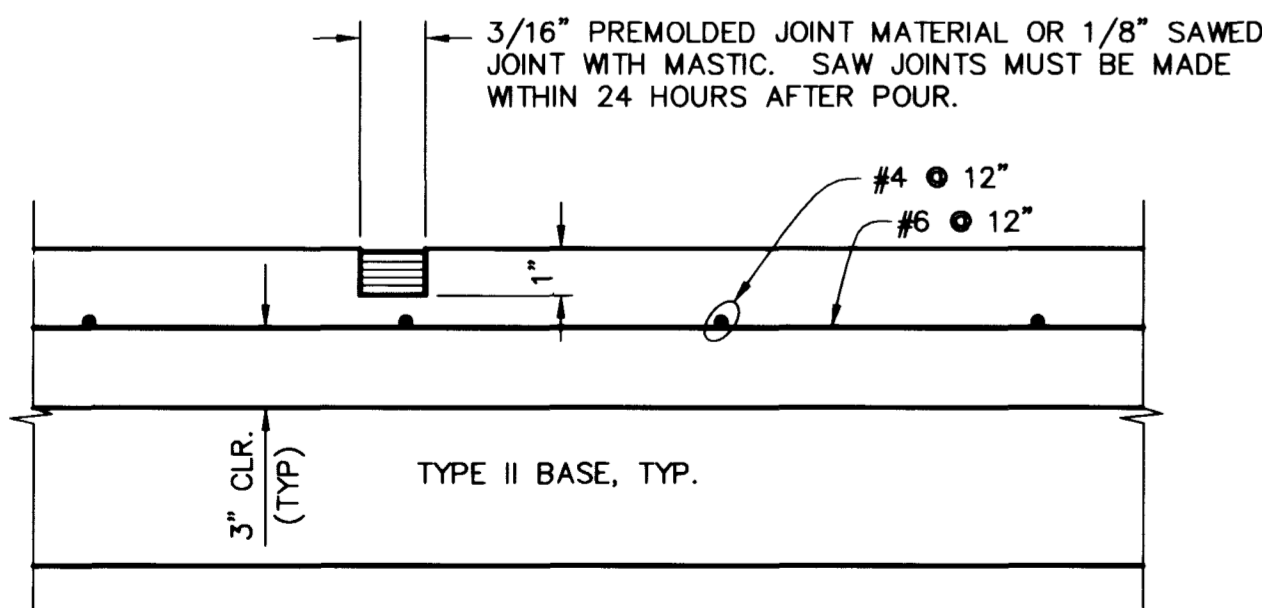
STORM DRAIN CONC. COLLAR DETAIL
NOT TO SCALE

6
SD6



WEEP PIPE DETAIL
(REVERSE IS APPLICABLE)
NOT TO SCALE

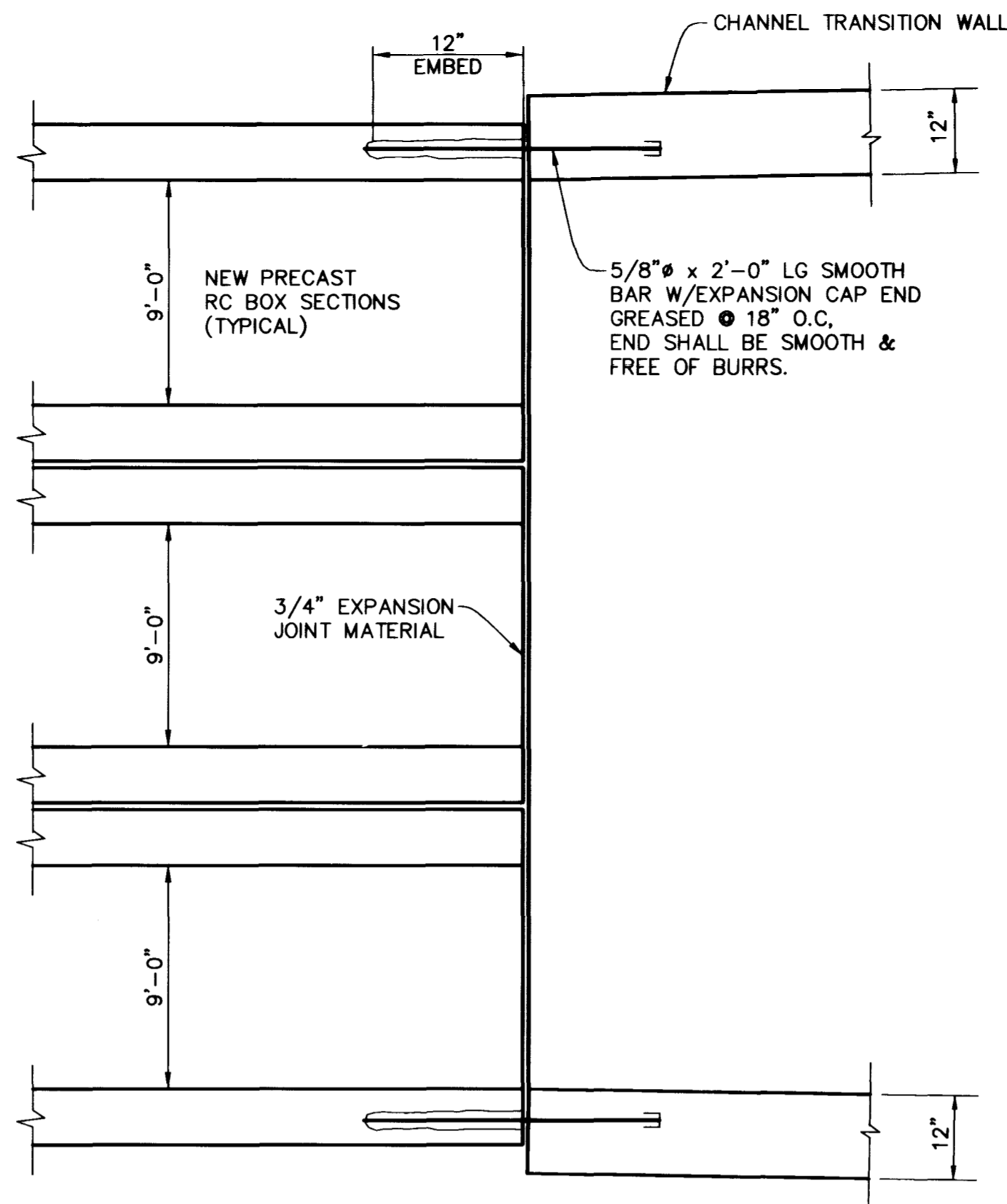
7
SD6



NOTE:
WEAKENED PLANE JOINTS REQUIRED AT 15'-0" SPACING ALONG LENGTH OF CHANNEL TRANSITION.

TYPICAL WEAKENED PLANE JOINT
NOT TO SCALE

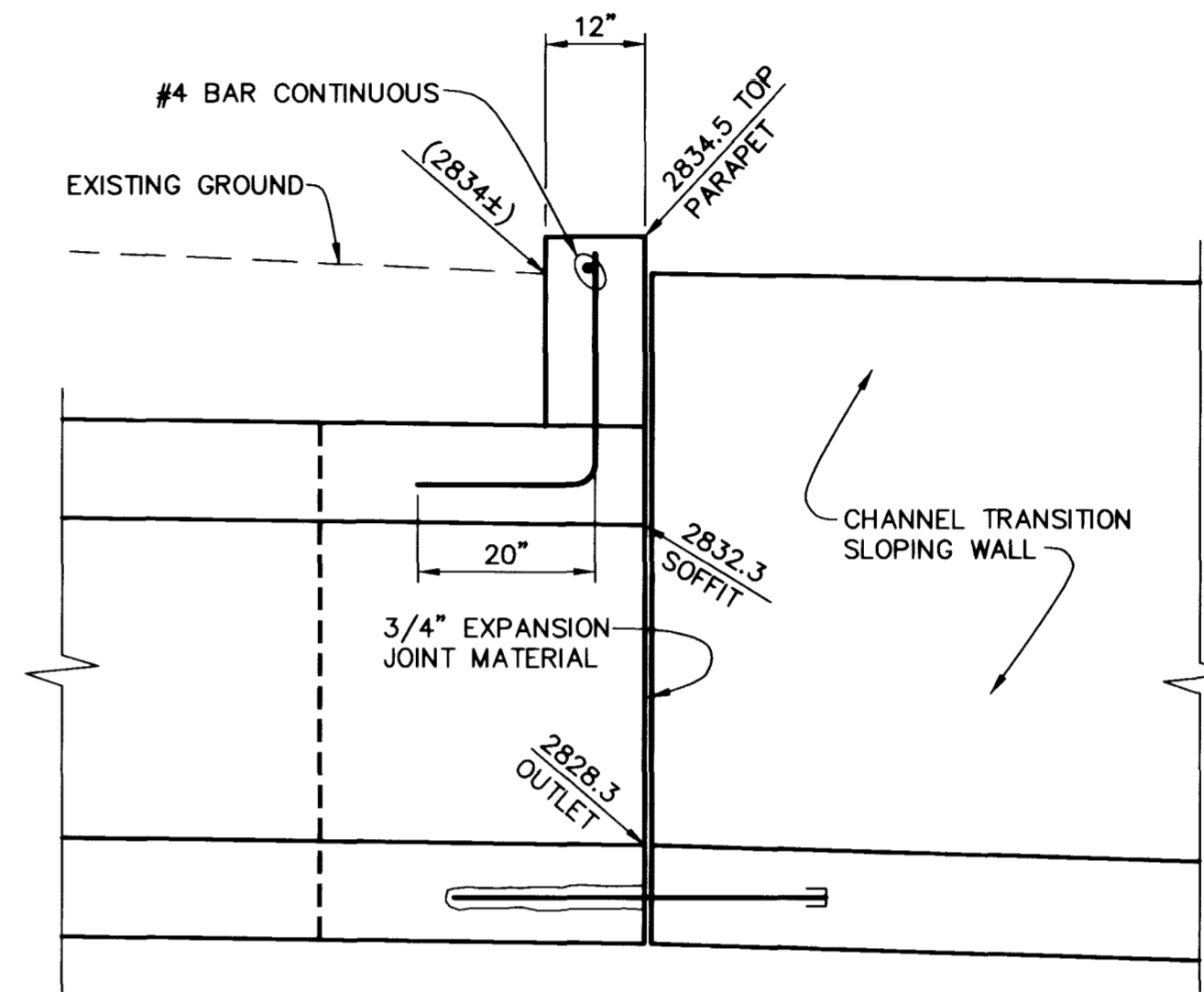
8
SD6



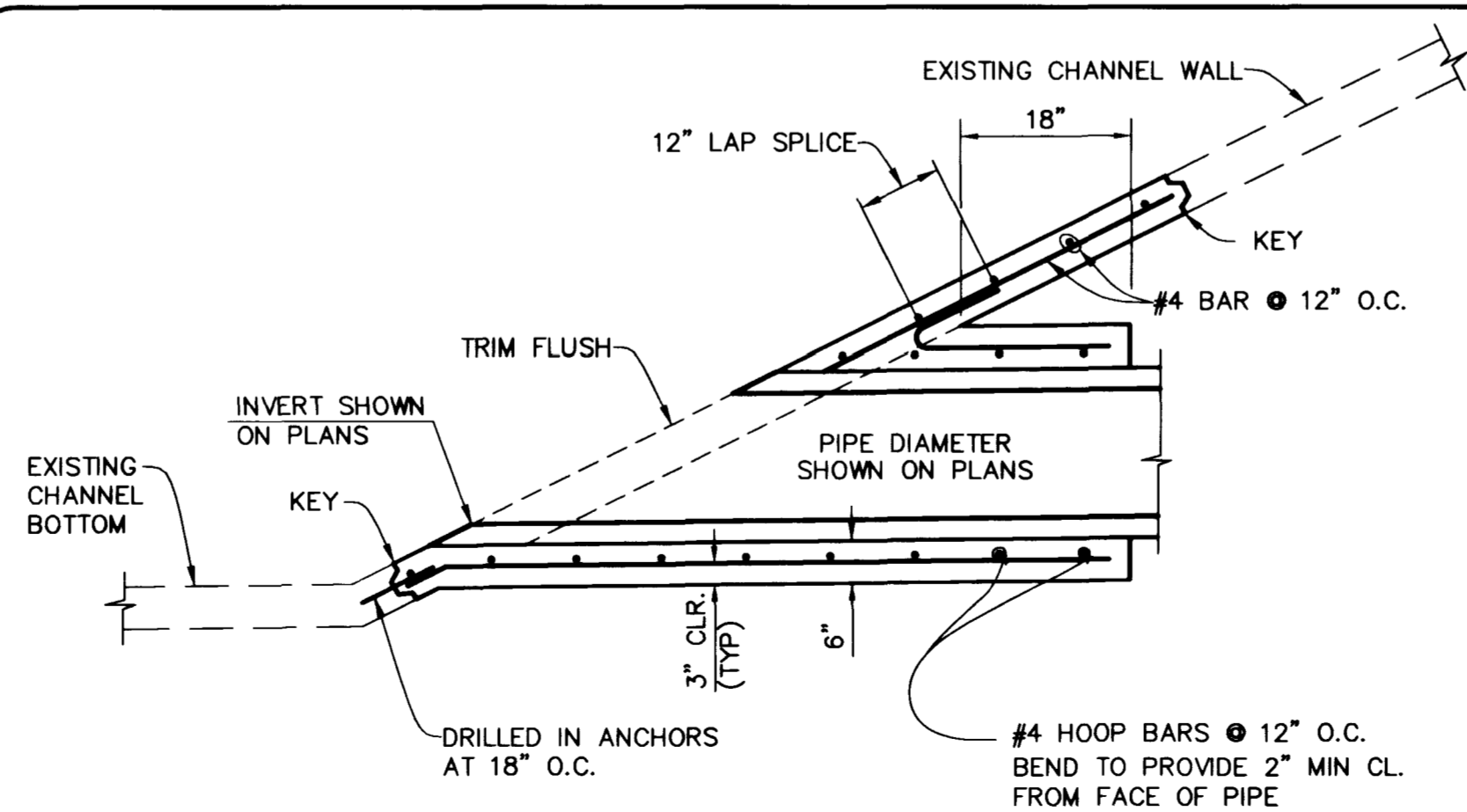
PLAN VIEW

RCB TO CHANNEL CONNECTION DETAIL
NOT TO SCALE

9
SD6

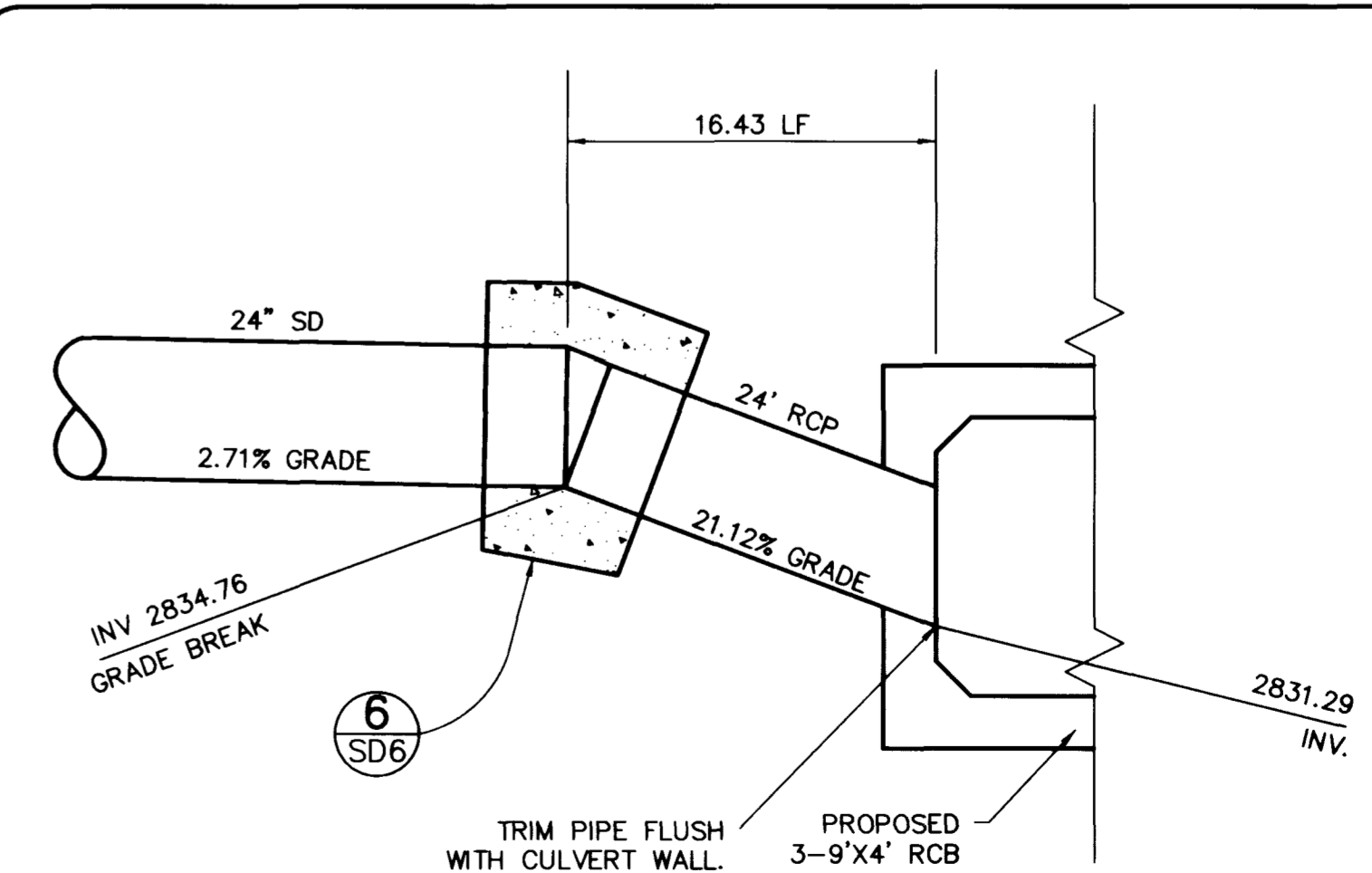


ELEVATION VIEW



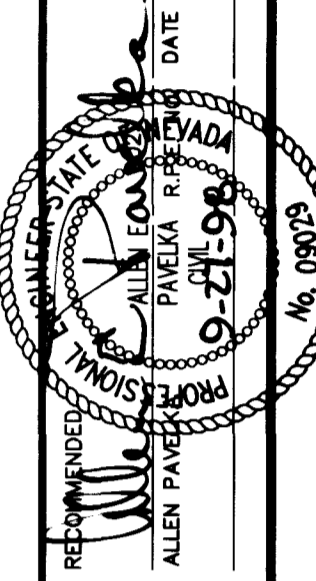
PIPE TO EXISTING CONCRETE CHANNEL
NOT TO SCALE

10
SD6



RCB RCP CONNECTION DETAIL
NOT TO SCALE

11
SD6



G. C. WALLACE, INC.
Engineering/Architecture
1555 SOUTH RAINBOW BLVD., LAS VEGAS, NEVADA 89102

CITY OF LAS VEGAS
SUMMERLIN PARKWAY
WESTERN BELTWAY TO TOWN CENTER DR.
DRAINAGE DETAILS



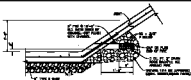
NOTES

1. WHEN THE COVER BEHIND THE STONE DRAIN IS TO BE SET IN A CONCRETE SLAB, THE COVER SHALL BE SET IN A 2" THICK BED OF SAND OR OTHER SOFT MATERIAL. THE COVER SHALL BE SET IN A 2" THICK BED OF SAND OR OTHER SOFT MATERIAL. THE COVER SHALL BE SET IN A 2" THICK BED OF SAND OR OTHER SOFT MATERIAL.

CIRCULAR WELLS

WELL DIAMETER	WELL DEPTH	NO. OF WELLS	NO. OF WELLS
12" DIA.	12" DEEP	1	1
18" DIA.	18" DEEP	1	1
24" DIA.	24" DEEP	1	1
30" DIA.	30" DEEP	1	1
36" DIA.	36" DEEP	1	1
42" DIA.	42" DEEP	1	1
48" DIA.	48" DEEP	1	1
54" DIA.	54" DEEP	1	1
60" DIA.	60" DEEP	1	1

STONE DRAIN COVER, DOLLAR DETAIL
NOT TO SCALE

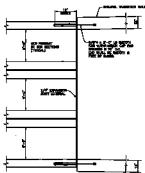


STEP PIPE DETAIL
WHERE REQUIRED
NOT TO SCALE



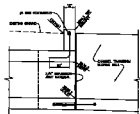
WEAR PLANE JOINT SHALL BE 1/2" DEEP AND 1/2" WIDE. THE JOINT SHALL BE 1/2" DEEP AND 1/2" WIDE. THE JOINT SHALL BE 1/2" DEEP AND 1/2" WIDE.

TYPICAL WEARED PLANE JOINT
NOT TO SCALE

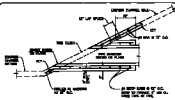


PLAN VIEW

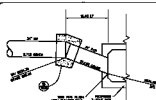
SIDE TO CHANNEL CONNECTION DETAIL
NOT TO SCALE



SECTION VIEW



PIPE TO EXISTING CONCRETE CHANNEL
NOT TO SCALE



RIB-RIB CONNECTION DETAIL
NOT TO SCALE



G.C. WALLACE, INC.
MANUFACTURERS OF
SEWER AND DRAINAGE SYSTEMS

OFFICE: 1000 N. W. 10th St., Ft. Lauderdale, Fla. 33304
TELEPHONE: (305) 461-1111
FAX: (305) 461-1112
E-MAIL: sales@gcwallace.com
WEBSITE: www.gcwallace.com