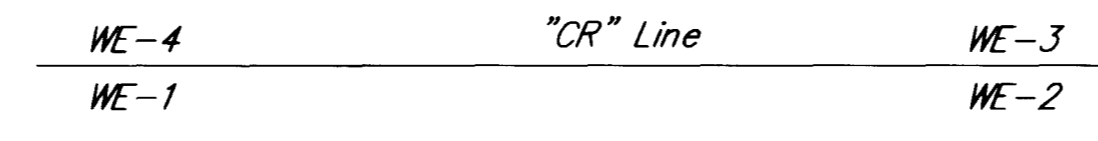
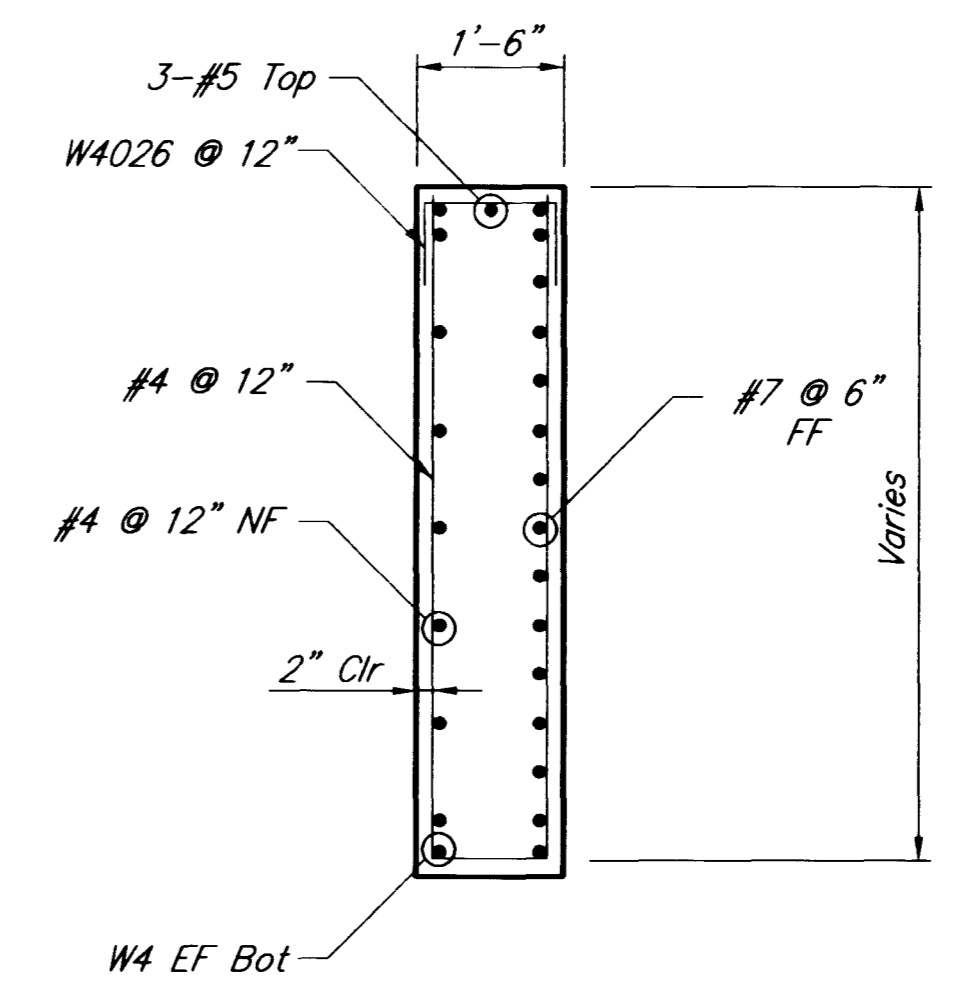


SECTION A-A



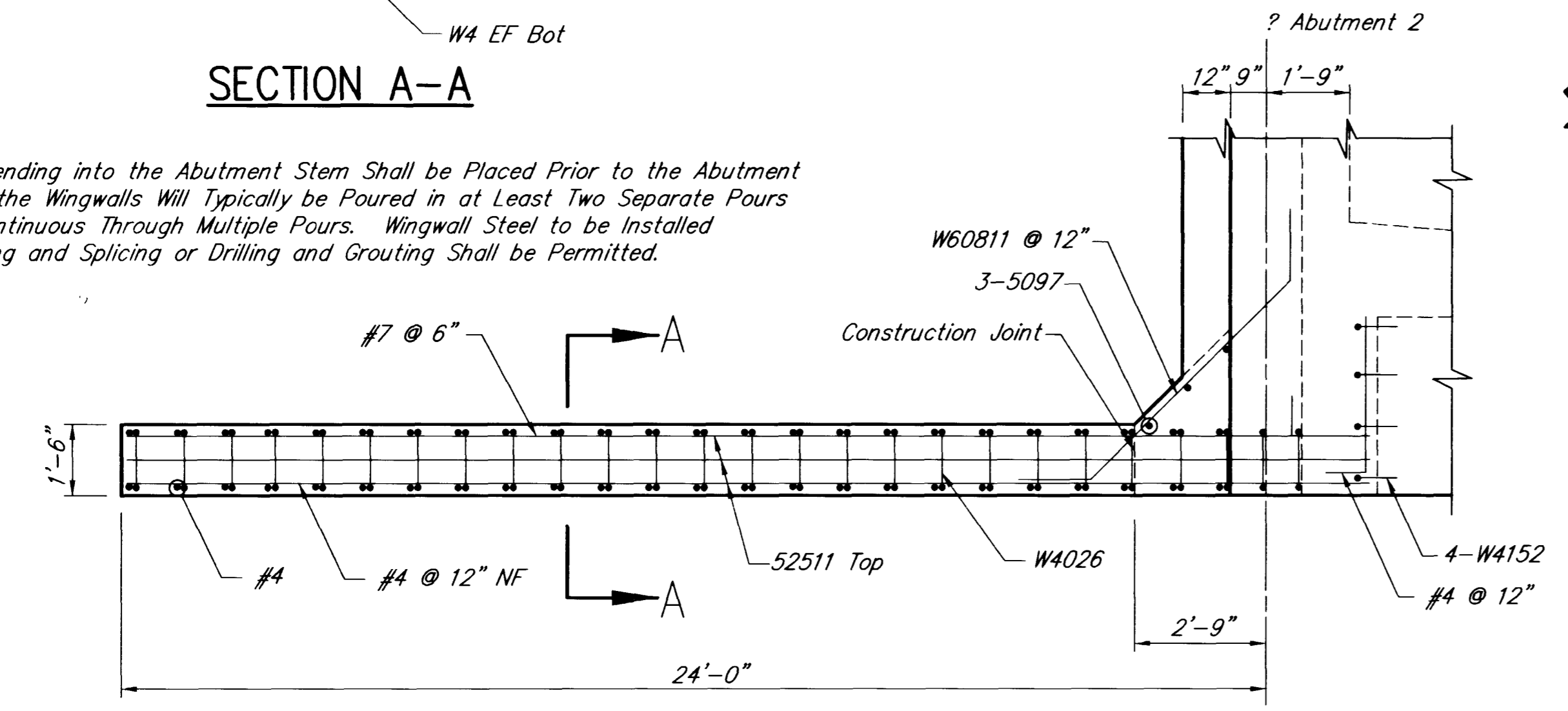
KEY PLAN



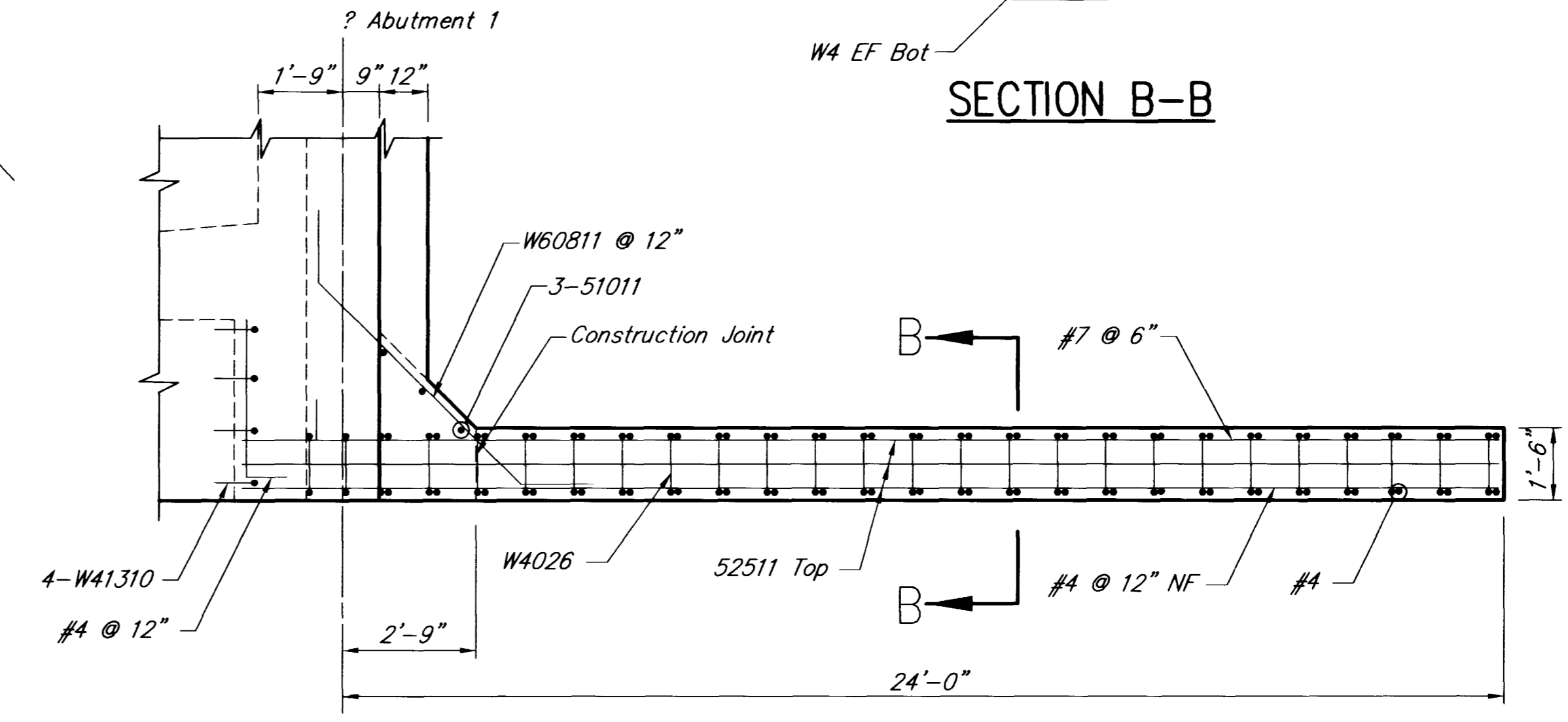
SECTION B-B

Notes:

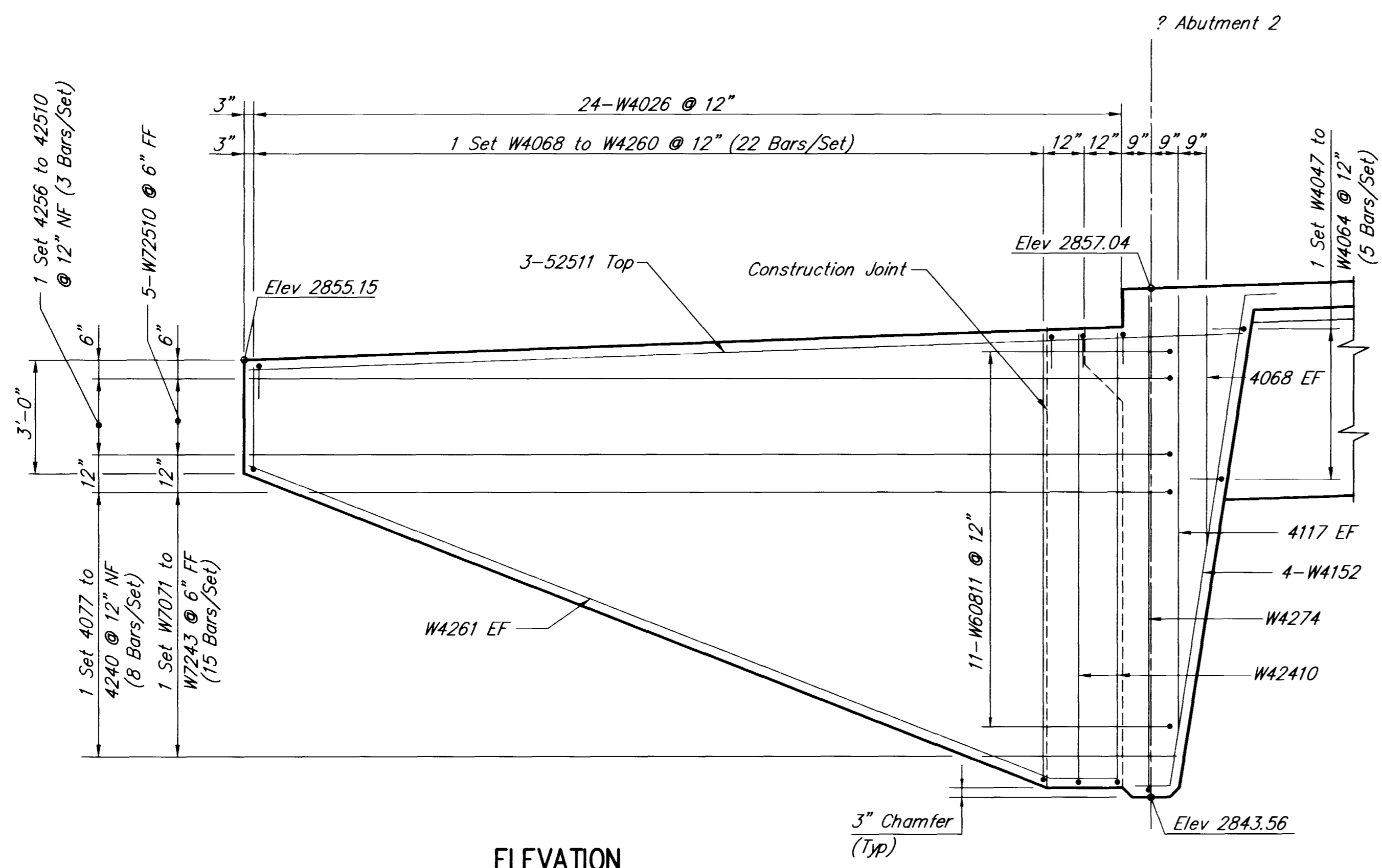
- The Wingwall Steel Extending into the Abutment Stem Shall be Placed Prior to the Abutment Stem Pour. Parts of the Wingwalls Will Typically be Poured in at Least Two Separate Pours With all Reinforcing Continuous Through Multiple Pours. Wingwall Steel to be Installed as Detailed. No Cutting and Splicing or Drilling and Grouting Shall be Permitted.



PLAN

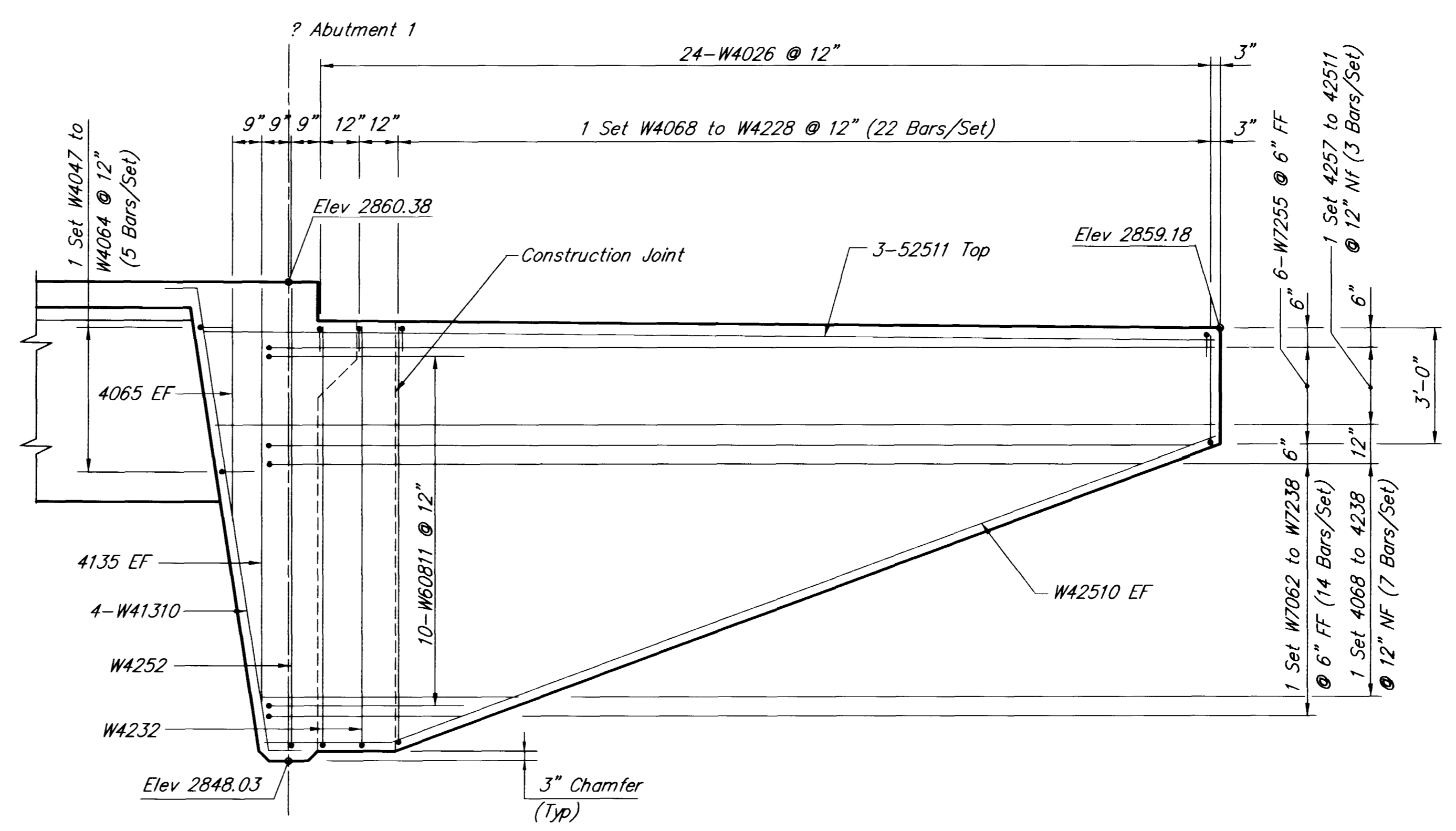


PLAN



ELEVATION

WINGWALL W-3



ELEVATION

WINGWALL W-4

REVISION	DATE	BY	CHK
1	07/17/98	BRIAN L. SCHMITZ	
2	07/17/98	BRIAN L. SCHMITZ	

RECOMMENDED BY: **G.C. WALLACE, INC.**
 Engineering/Architecture
 1555 SOUTH RAINBOW BLVD./LAS VEGAS, NEVADA 89102
 (702) 363-1200

CITY OF LAS VEGAS
 SUMMERLIN PARKWAY
 CRESTDALE LANE OVER SUMMERLIN PARKWAY
 WINGWALLS 3 & 4 PLANS & ELEVATIONS

SHEET
B-41



SECTION A-A

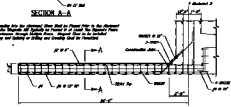


KEY PLAN

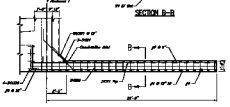


SECTION B-B

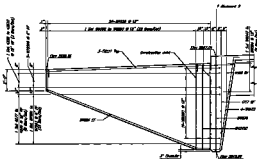
Note: The Standard Steel Connection for the Standard Steel Pipe is shown prior to the Standard Steel Pipe. Some of the Standard Steel Connections are shown in the Standard Plans. The Standard Plans are of reference drawings showing details. Standard Steel is to be used as indicated. No Tackling and Scaffolding and Working Steel are Permitted.



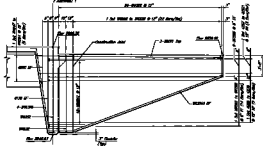
PLAN



PLAN



ELEVATION
MINOR WALL W-3



ELEVATION
MINOR WALL W-4


W.C. WALLACE, INC.
 ENGINEERS AND ARCHITECTS
 100 WALL STREET, NEW YORK 7, N.Y.
 BRANCHES: BOSTON, CHICAGO, CINCINNATI, CLEVELAND, DETROIT, HOUSTON, LOS ANGELES, MEMPHIS, MILWAUKEE, MINNEAPOLIS, NEW ORLEANS, PHOENIX, PITTSBURGH, RICHMOND, ST. LOUIS, ST. PAUL, TAMPA, WASHINGTON, D.C.