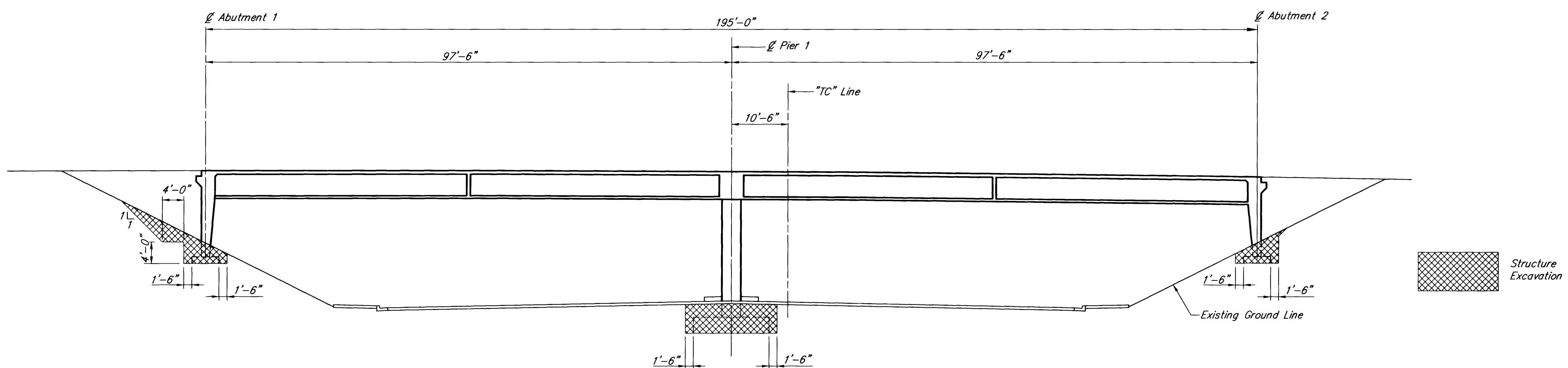
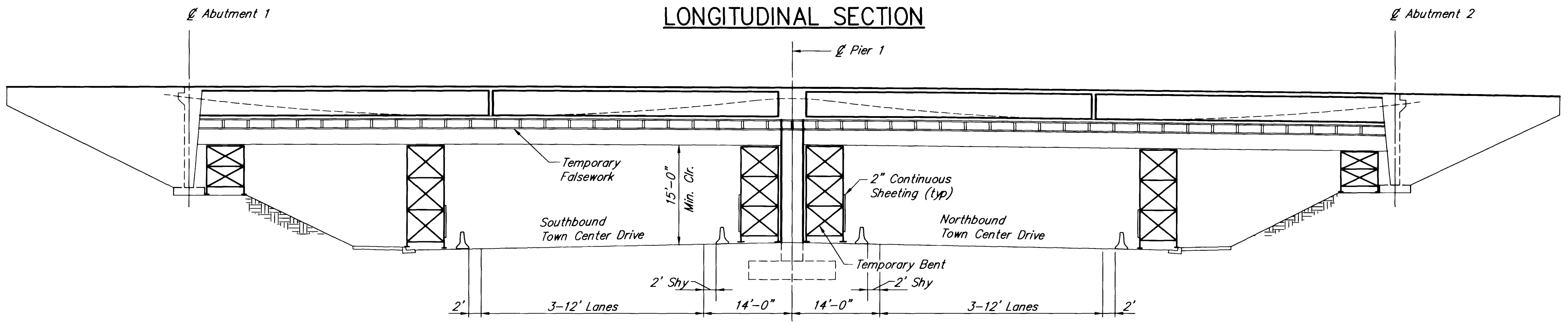


TYPICAL SECTION

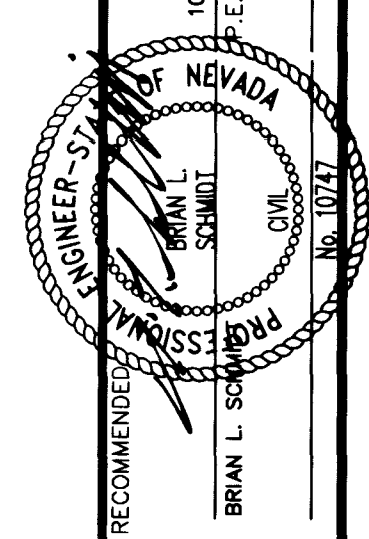


LONGITUDINAL SECTION



CAST-IN-PLACE GIRDER PLACEMENT

REV	DATE	DESCRIPTION



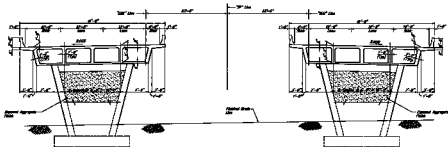
RECOMMENDED BY
 BRIAN L. SCHMITZ
 CIVIL ENGINEER
 No. 10747
 STATE OF NEVADA
 ENGINEER

CITY OF LAS VEGAS
 SUMMERLIN PARKWAY
 SUMMERLIN PARKWAY OVER TOWN CENTER DRIVE
 TYPICAL SECTION

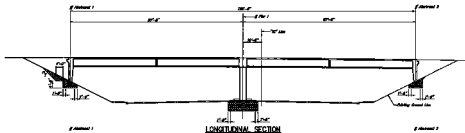
SHEET
B-2
 107V-2975
 OF 177 SHEETS

JOB NO. 62051.211B, 412.400

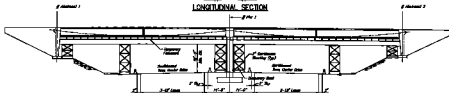
14856



TYPICAL SECTION



LONGITUDINAL SECTION



CAST-IN-PLACE GIRDER PLACEMENT

CITY OF LOS ANGELES
 TRANSPORTATION DEPARTMENT
 150 N. GARDEN STREET
 LOS ANGELES, CALIFORNIA 90012
 DRAWING NUMBER: 15-00000-01-000
 DATE: 11/15/11
 PROJECT: 15-00000-01-000
 SHEET: 15-00000-01-000-01
 TITLE: 15-00000-01-000-01
 SCALE: 1/4" = 1'-0"
 DRAWN BY: J. WALLACE, INC.
 CHECKED BY: J. WALLACE, INC.
 APPROVED BY: J. WALLACE, INC.