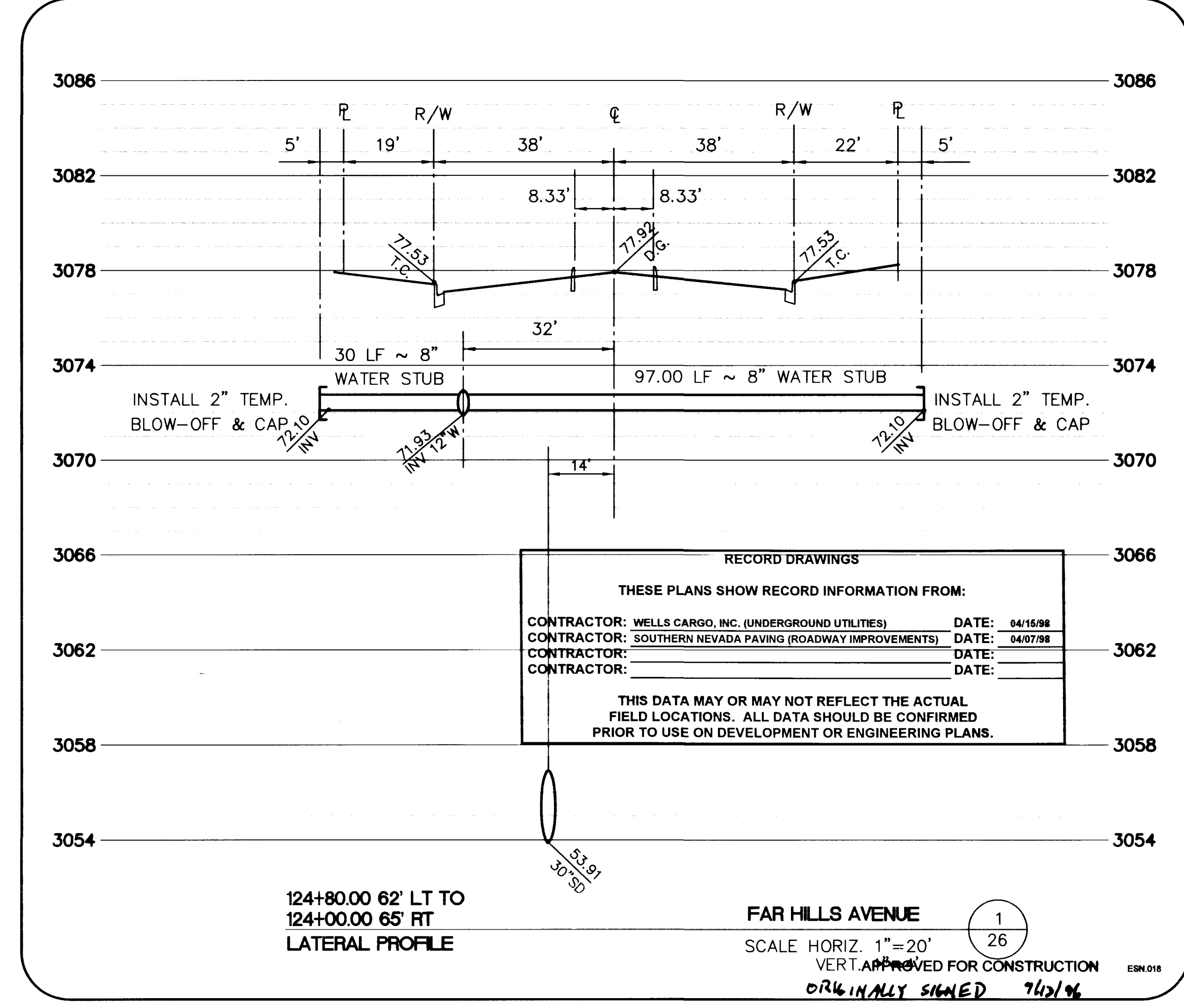
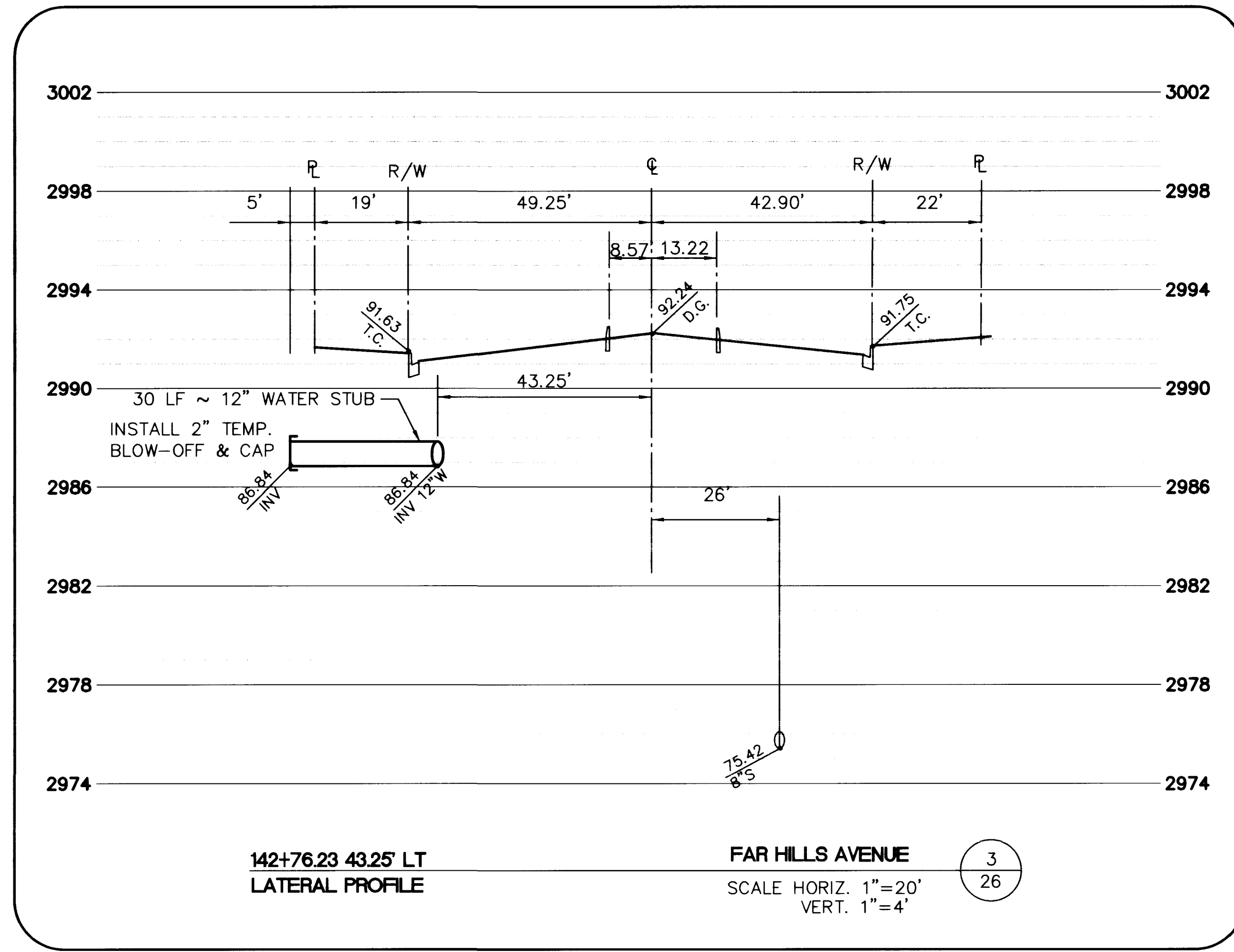
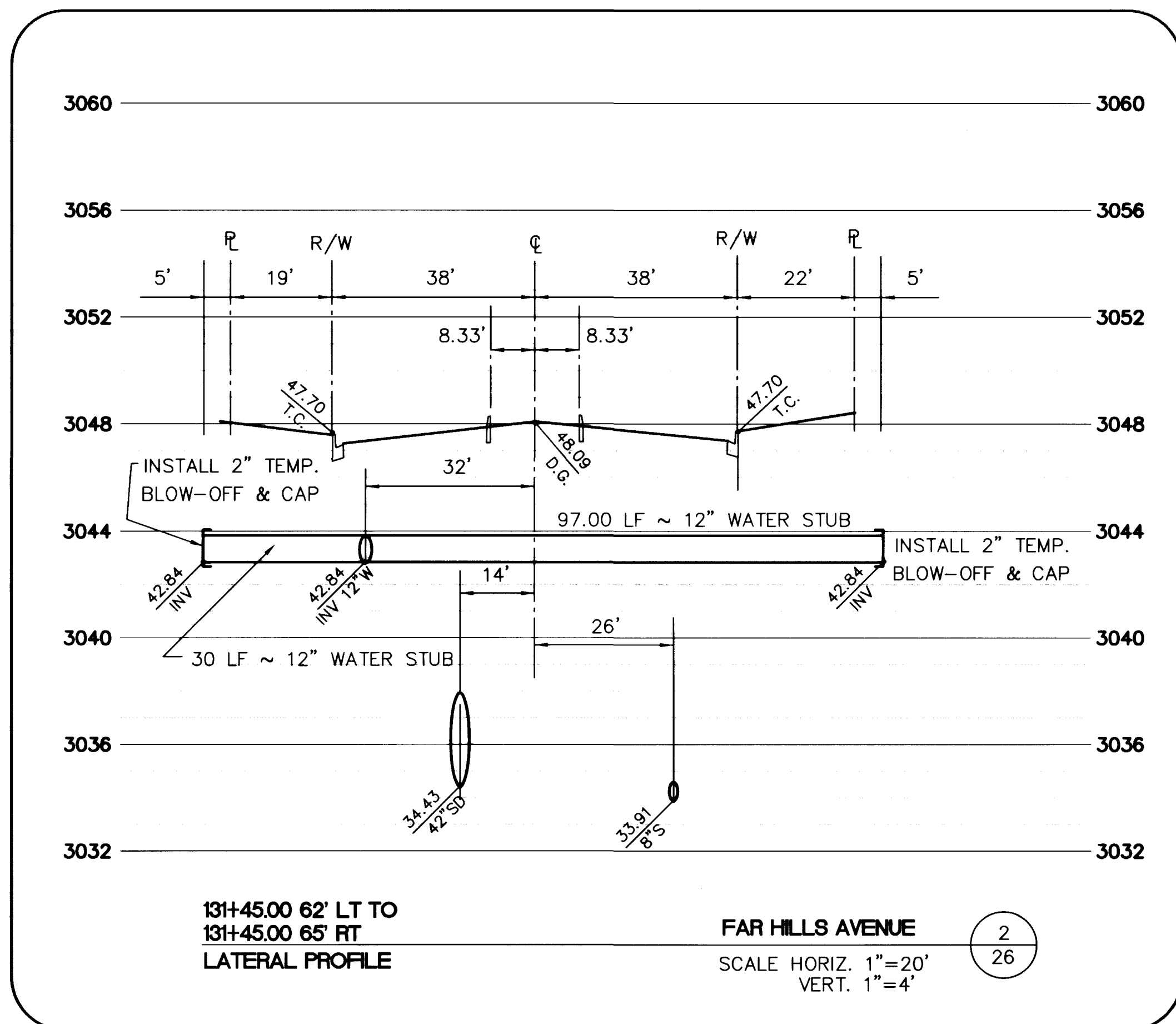
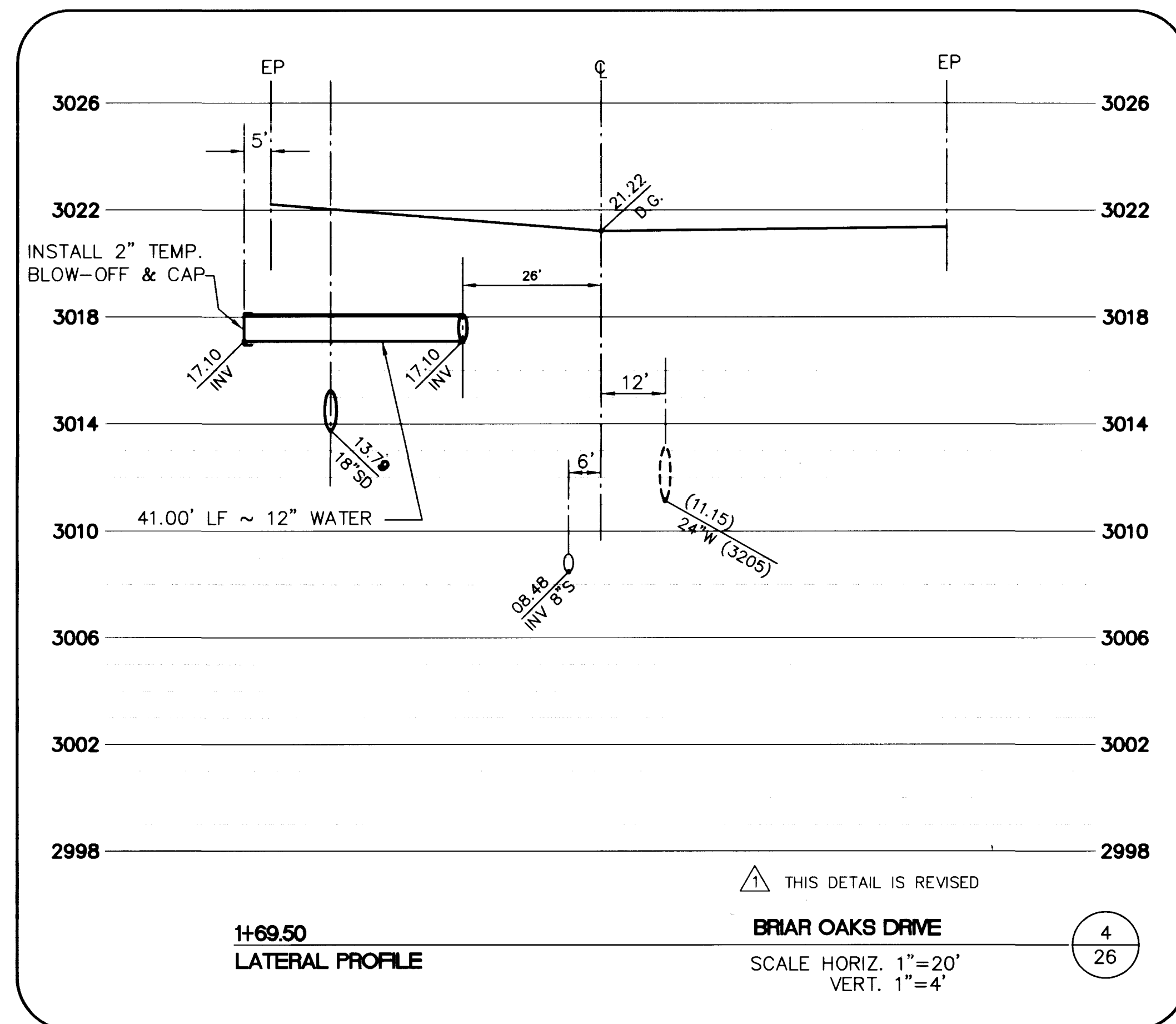
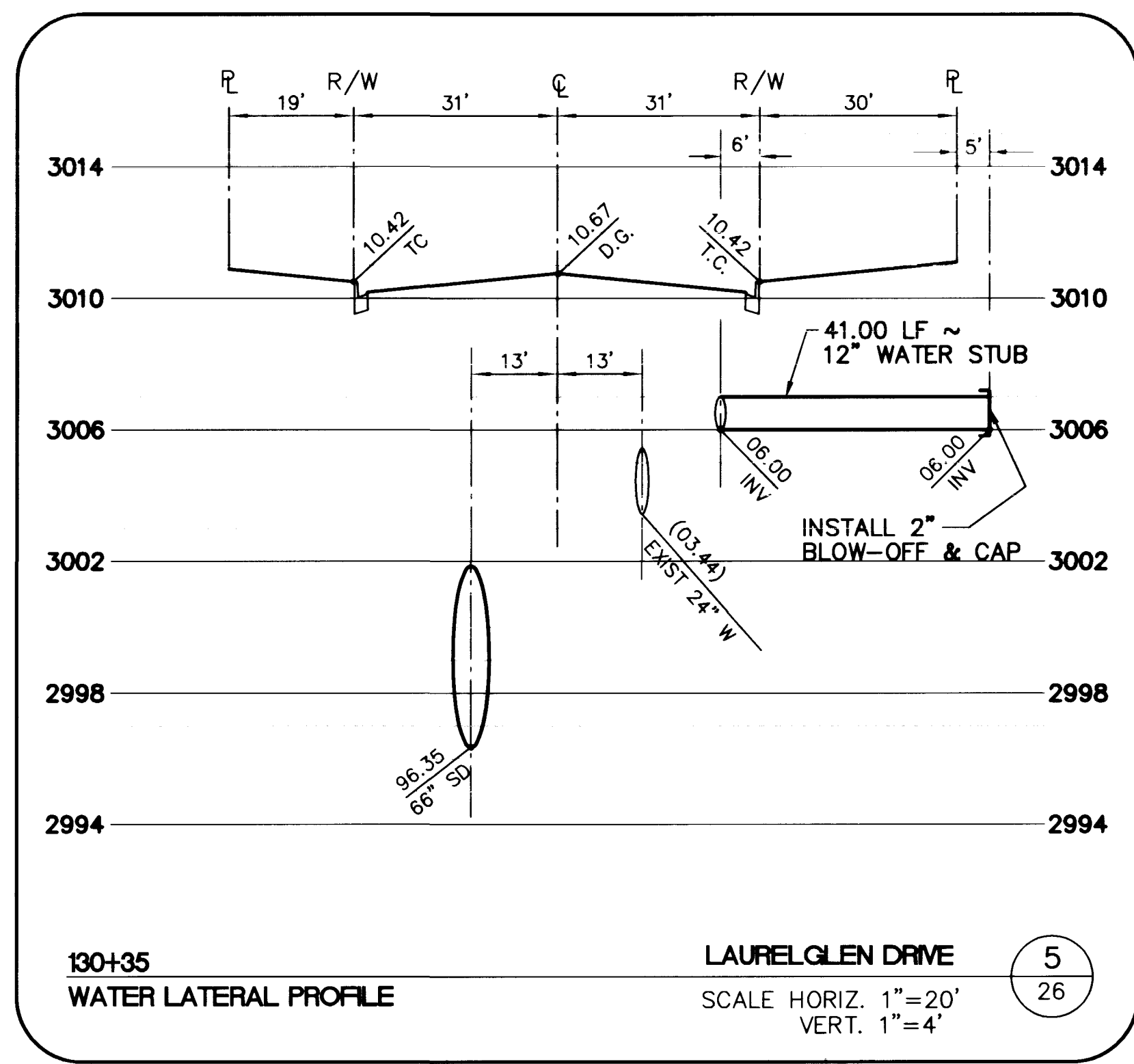
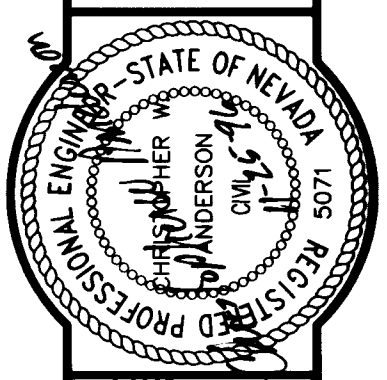


NOVEMBER 19, 1995 8:11:44 a.m. Drawing: C:\DWG\11-12\2B\IMPROV\112BWL.DWG



RECORD DRAWINGS  
 THESE PLANS SHOW RECORD INFORMATION FROM:  
 CONTRACTOR: WELLS CARGO, INC. (UNDERGROUND UTILITIES) DATE: 04/15/98  
 CONTRACTOR: SOUTHERN NEVADA PAVING (ROADWAY IMPROVEMENTS) DATE: 04/07/98  
 CONTRACTOR: DATE: DATE:  
 CONTRACTOR: DATE: DATE:  
 THIS DATA MAY OR MAY NOT REFLECT THE ACTUAL FIELD LOCATIONS. ALL DATA SHOULD BE CONFIRMED PRIOR TO USE ON DEVELOPMENT OR ENGINEERING PLANS.



RECOMMENDED: CHRISTOPHER W. ANDERSON, 5071 R.P.E. NO. DATE: 11/26/98  
 RECORD DRAWING INFORMATION: REVISIONS TO PARCEL STA. 1+69.50 TO 124+00.00 DATE: 11/24/98  
**G.C. WALLACE, INC.**  
 Engineering/Architecture 1555 SOUTH HANBURY BLVD./LAS VEGAS, NEVADA 89102  
**SUMMERLIN**  
**THE ARBORS AT SUMMERLIN**  
**VILLAGE 11/12 UNIT 2B IMPROVEMENTS**  
**FAR HILLS AVENUE - BRIAR OAKS DRIVE**  
**WATER LATERALS**  
**ISSUE TO CONSTRUCT 10/07/96**  
 SHEET **26** OF 46

C 4/4 C 4/4 C 4/4  
 VOICE  
 PIANO  
 LADIES' PEOPLE  
 PIANO ARRANGEMENT  
 BY J. J. WALKER, INC.  
 1957

VOICE  
 PIANO  
 LADIES' PEOPLE  
 PIANO ARRANGEMENT  
 BY J. J. WALKER, INC.  
 1957

VOICE  
 PIANO  
 LADIES' PEOPLE  
 PIANO ARRANGEMENT  
 BY J. J. WALKER, INC.  
 1957

VOICE  
 PIANO  
 LADIES' PEOPLE  
 PIANO ARRANGEMENT  
 BY J. J. WALKER, INC.  
 1957

VOICE  
 PIANO  
 LADIES' PEOPLE  
 PIANO ARRANGEMENT  
 BY J. J. WALKER, INC.  
 1957



J. J. WALKER, INC.  
 1500 BROADWAY, NEW YORK 17, N.Y.  
 MADE IN U.S.A.  
 PUBLISHED BY J. J. WALKER, INC.  
 1957