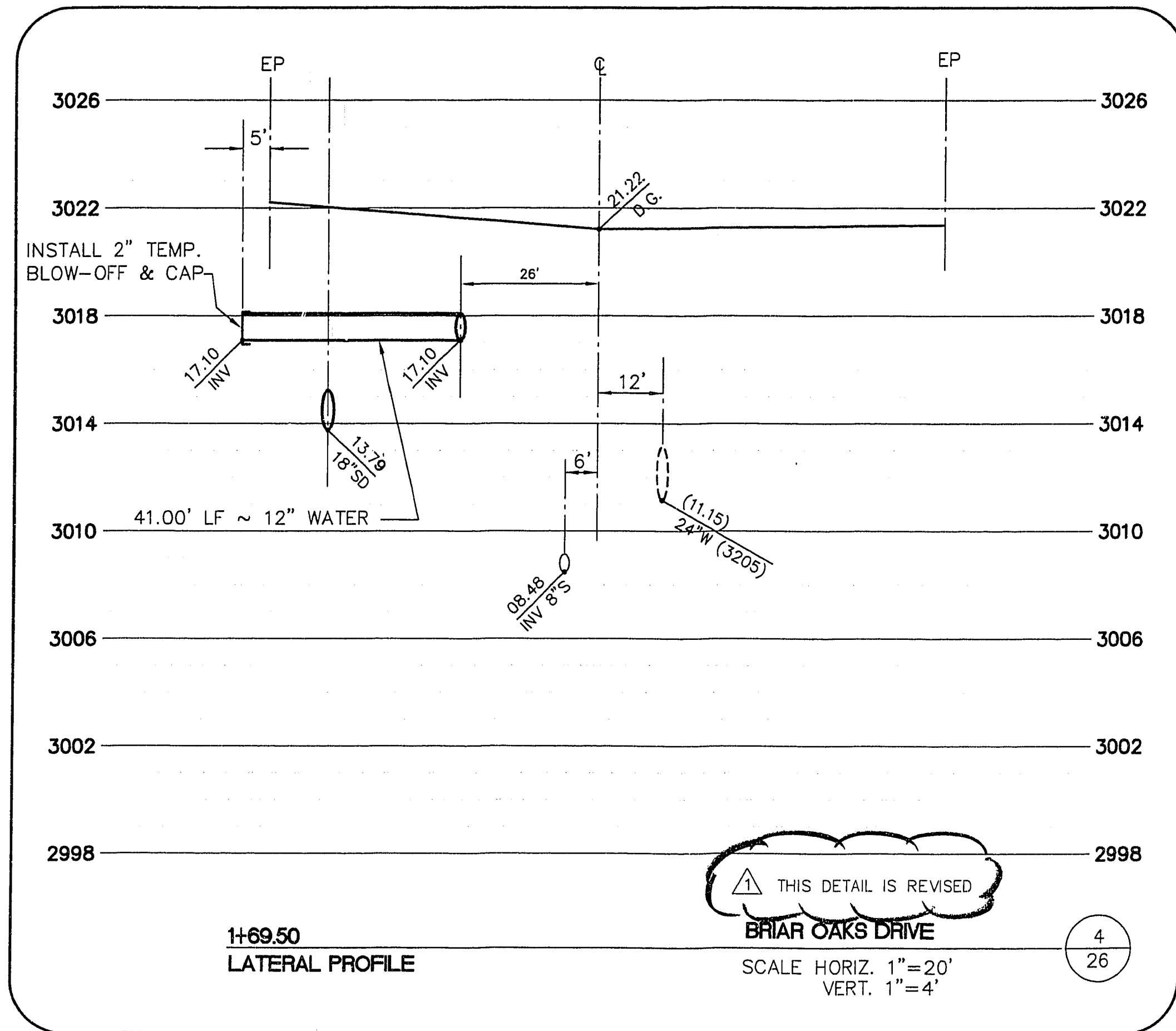
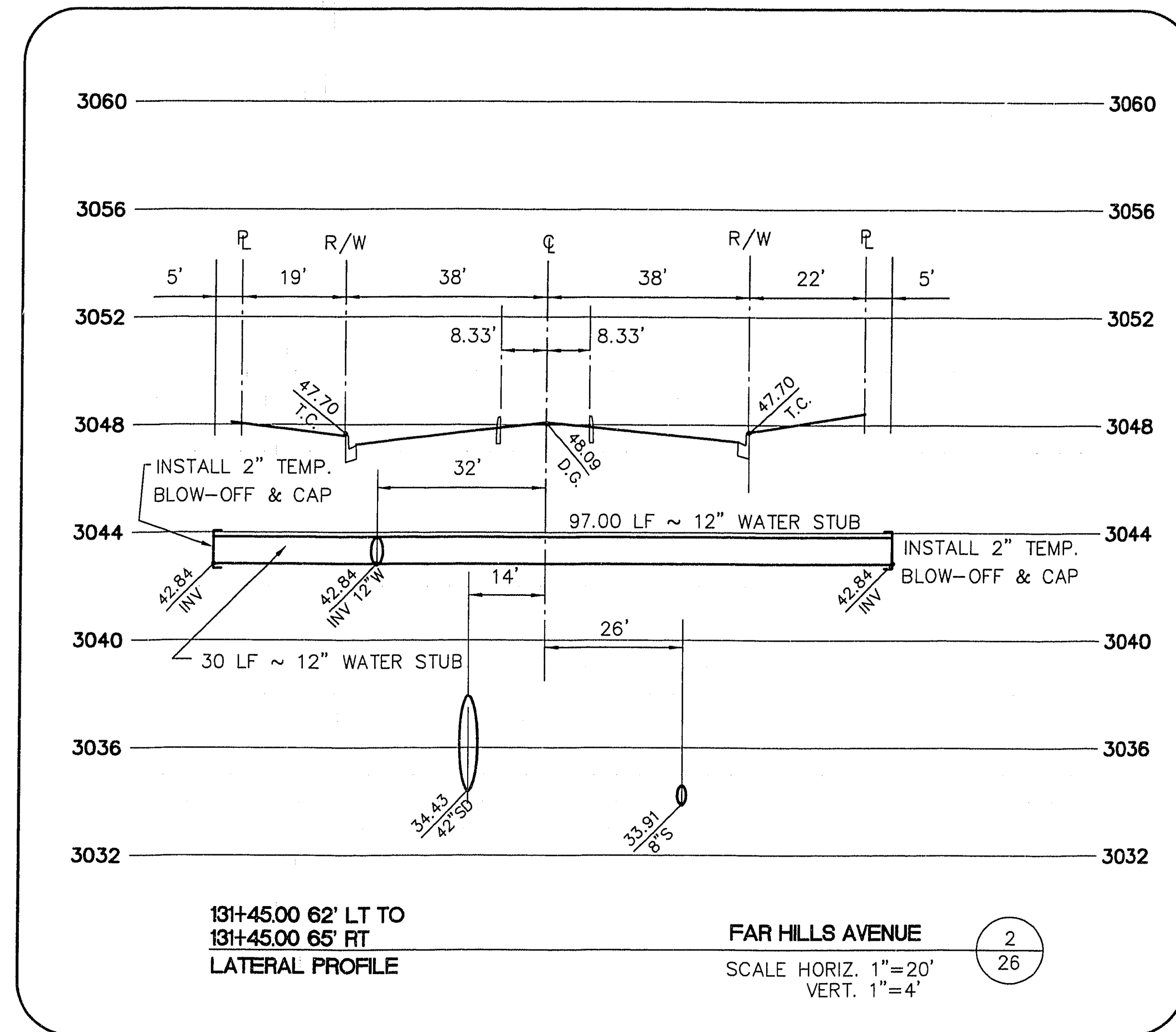


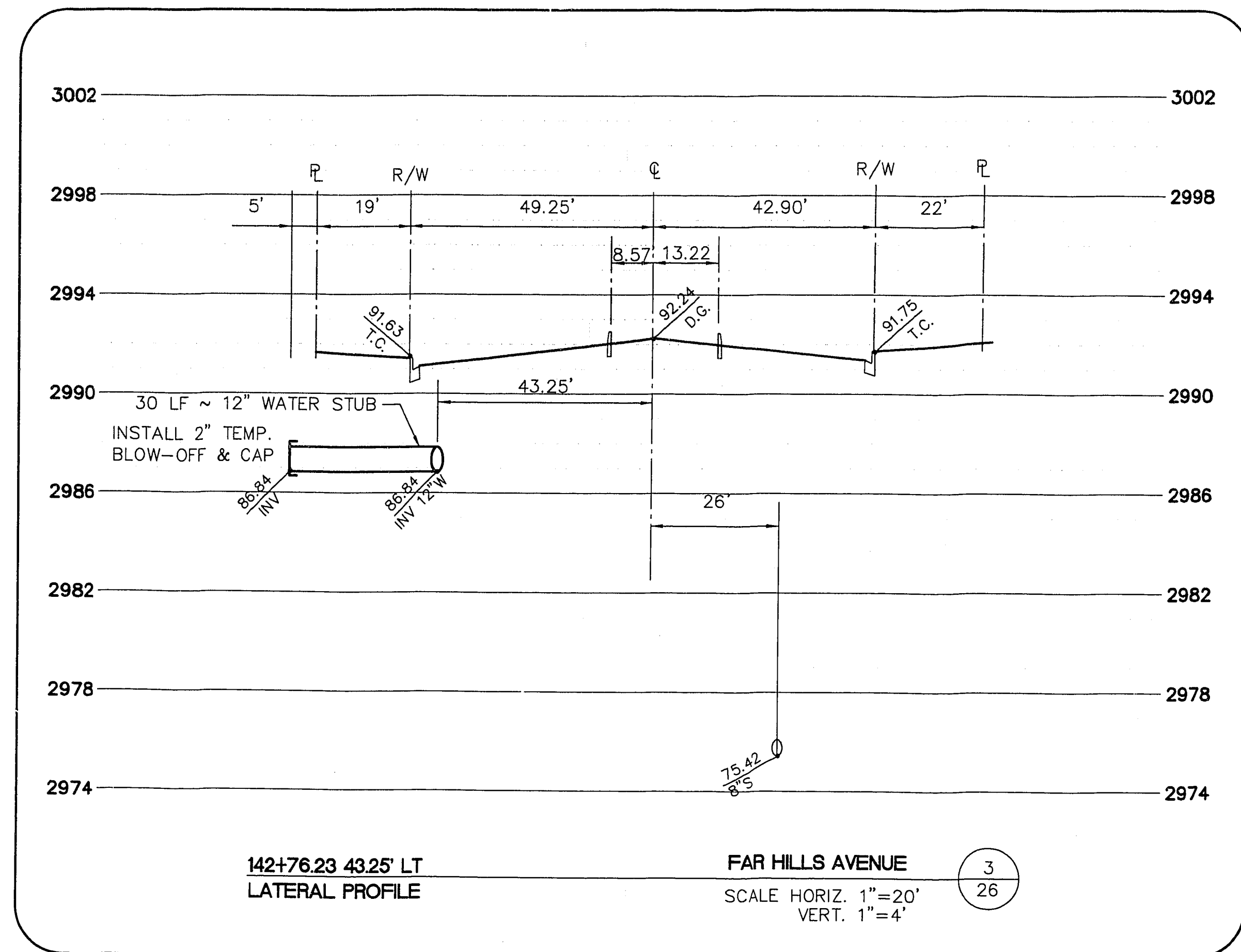
130+35
WATER LATERAL PROFILE
LAUREL GLEN DRIVE
SCALE HORIZ. 1"=20'
VERT. 1"=4'



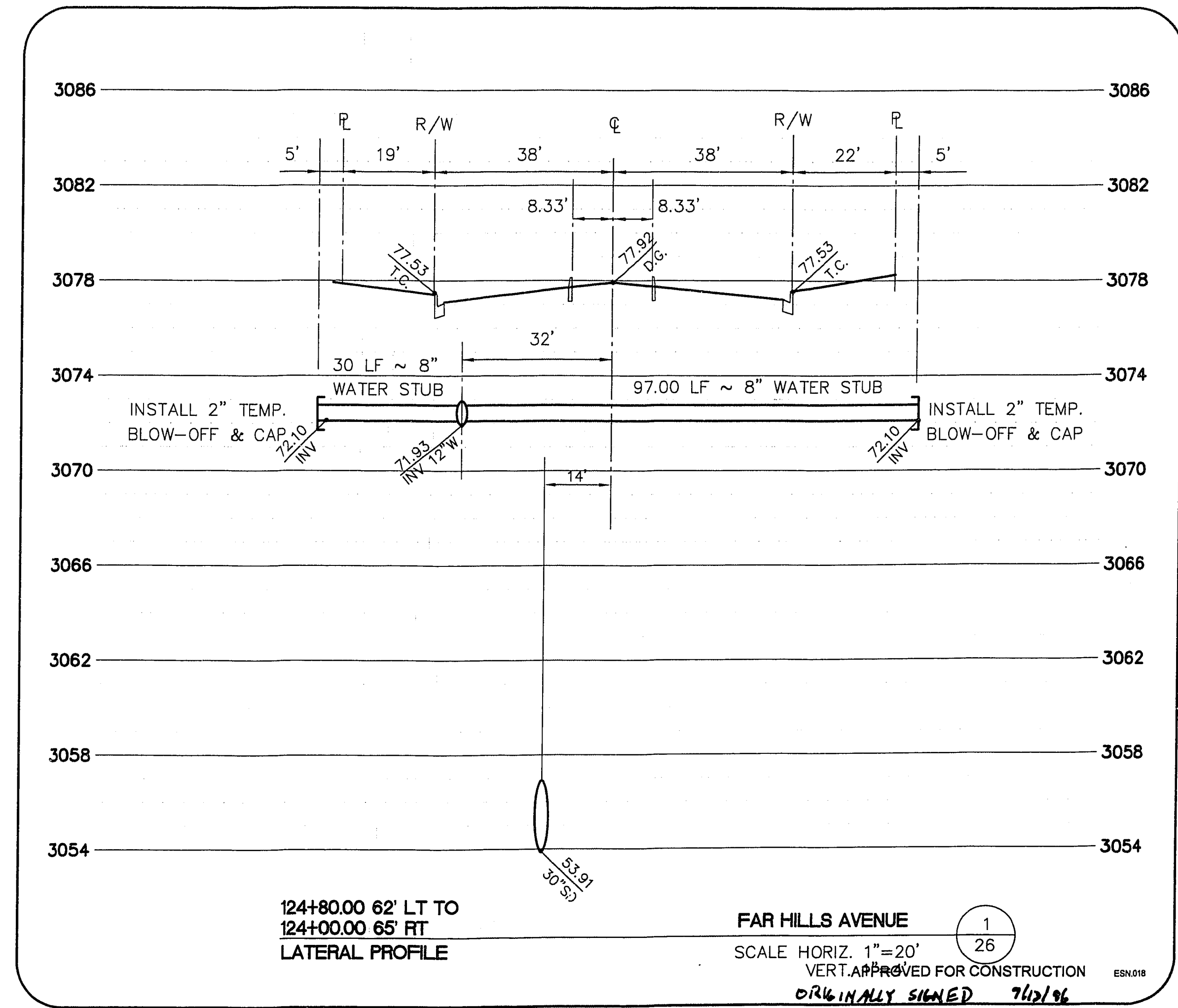
1+69.50
LATERAL PROFILE
BRIAR OAKS DRIVE
SCALE HORIZ. 1"=20'
VERT. 1"=4'



131+45.00 62' LT TO
131+45.00 65' FT
LATERAL PROFILE
FAR HILLS AVENUE
SCALE HORIZ. 1"=20'
VERT. 1"=4'



142+76.23 43.25' LT
LATERAL PROFILE
FAR HILLS AVENUE
SCALE HORIZ. 1"=20'
VERT. 1"=4'



124+80.00 62' LT TO
124+00.00 65' FT
LATERAL PROFILE
FAR HILLS AVENUE
SCALE HORIZ. 1"=20'
VERT. 1"=4'

RECOMMENDED
CHRISTOPHER W. ANDERSON
REGISTERED PROFESSIONAL ENGINEER - STATE OF NEVADA
5071
R.P.E. NO. 5071
DATE 10/18/96
REVISION DATE 12/14/96
DESCRIPTION TO PARCEL L STA 1+69.50

G.C. WALLACE, INC.
Engineering/Architecture
1555 SOUTH RAINBOW BLVD LAS VEGAS, NEVADA 89102

SUMMERLIN
THE ARBORS AT SUMMERLIN
VILLAGE 11/12 UNIT 2B IMPROVEMENTS
FAR HILLS AVENUE - BRIAR OAKS DRIVE
WATER LATERALS

ISSUE TO CONSTRUCT 10/07/96

SHEET
26
SHT 26 OF 46

FINAL SUBMITTAL