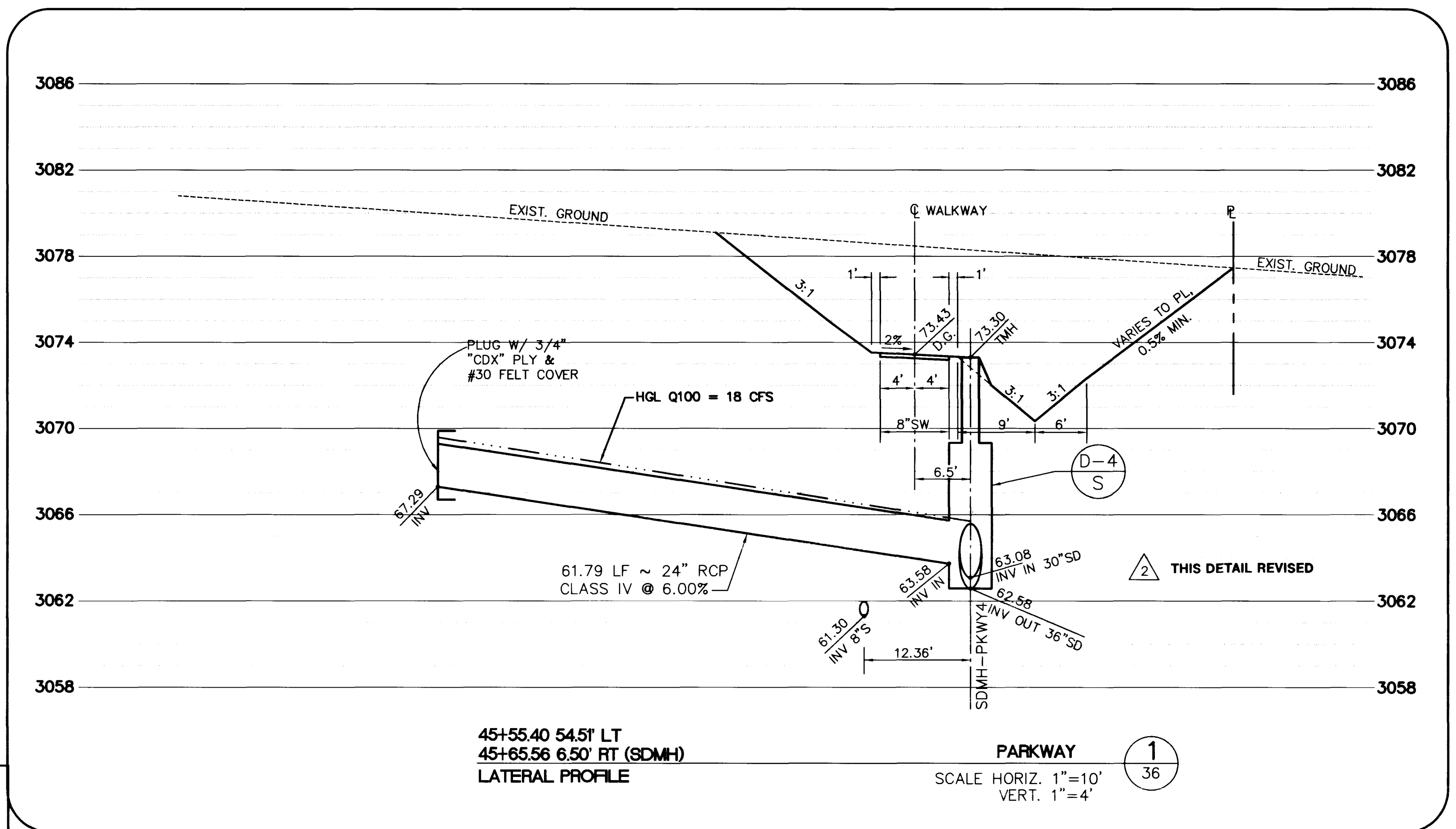


49+42.76 6.00' RT (SLOTTED DRAIN)  
49+42.79 49.39' RT (JUNCTION STRUCTURE)  
LATERAL PROFILE

PARKWAY 2/36

SCALE HORIZ. 1"=10'  
VERT. 1"=4'



45+55.40 54.51' LT  
45+65.56 6.50' RT (SDMH)  
LATERAL PROFILE

PARKWAY 1/36

SCALE HORIZ. 1"=10'  
VERT. 1"=4'

RECORD DRAWINGS

THESE PLANS SHOW RECORD INFORMATION FROM:

CONTRACTOR: WELLS CARGO, INC. (UNDERGROUND UTILITIES) DATE: 04/16/98  
CONTRACTOR: SOUTHERN NEVADA PAVING (ROADWAY IMPROVEMENTS) DATE: 04/07/98  
CONTRACTOR: \_\_\_\_\_ DATE: \_\_\_\_\_  
CONTRACTOR: \_\_\_\_\_ DATE: \_\_\_\_\_

THIS DATA MAY OR MAY NOT REFLECT THE ACTUAL FIELD LOCATIONS. ALL DATA SHOULD BE CONFIRMED PRIOR TO USE ON DEVELOPMENT OR ENGINEERING PLANS.

**FINAL SUBMITTAL**

RECOMMENDED  
CHRISTOPHER W. ANDERSON  
5071 R.P.E. NO.  
DATE: 12/14/96  
REVISION: 11/7/96 REV. UTIL. PER PASEO ROUGH GRAD.  
DATE: 12/14/96  
DESCRIPTION: APPROVAL

STATE OF NEVADA  
PROFESSIONAL ENGINEER  
CHRISTOPHER W. ANDERSON  
1555 SOUTH RAINBOW BLVD./LAS VEGAS, NEVADA 89102

G.C. WALLACE, INC.  
Engineering/Architecture 1555 SOUTH RAINBOW BLVD./LAS VEGAS, NEVADA 89102

**SUMMERLIN  
THE ARBORS AT SUMMERLIN  
VILLAGE 11/12 UNIT 2B IMPROVEMENTS  
STORM DRAIN LATERALS**

SHEET  
**36**  
SHT 36 OF 46

**ISSUE TO CONSTRUCT 10/07/96**

