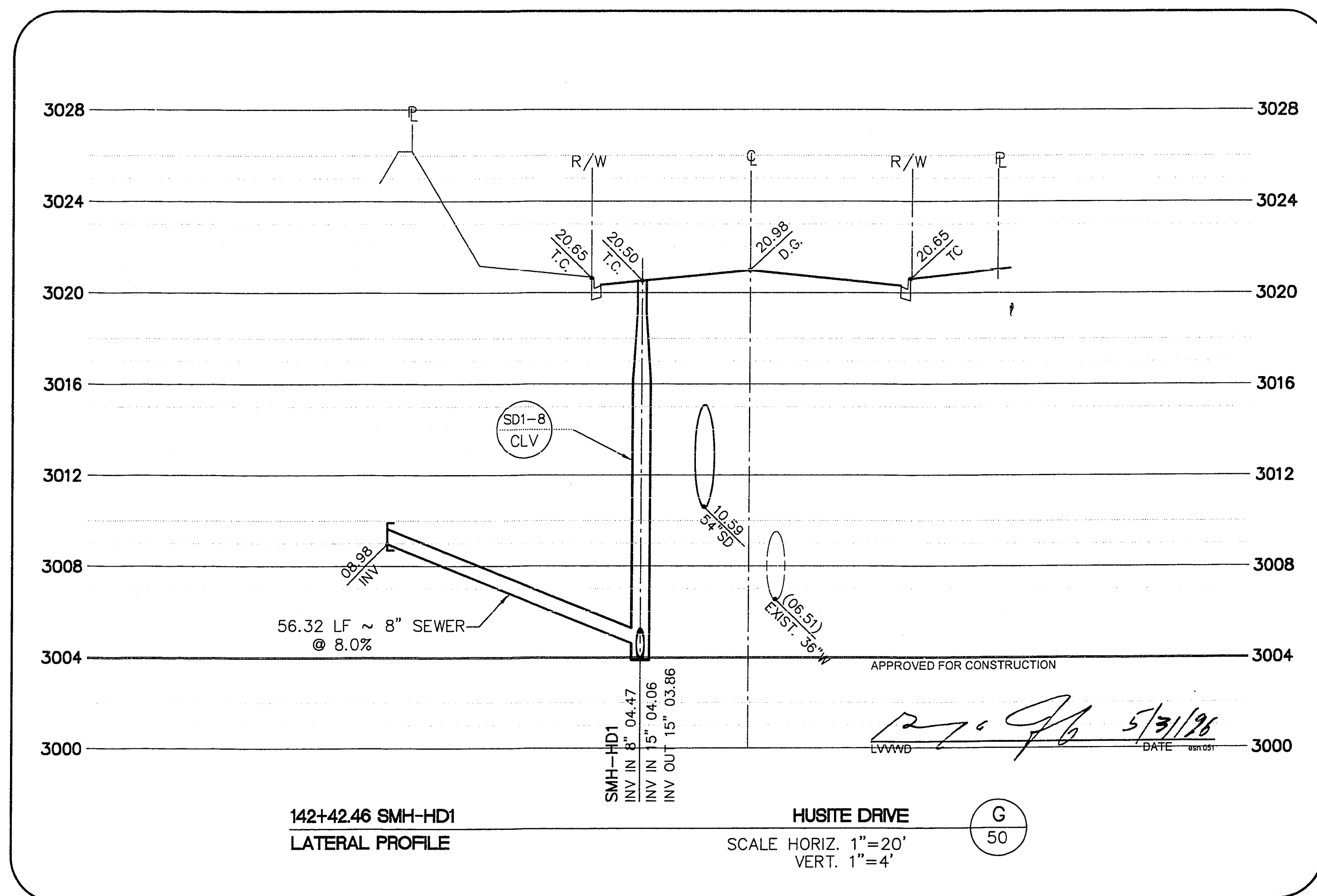
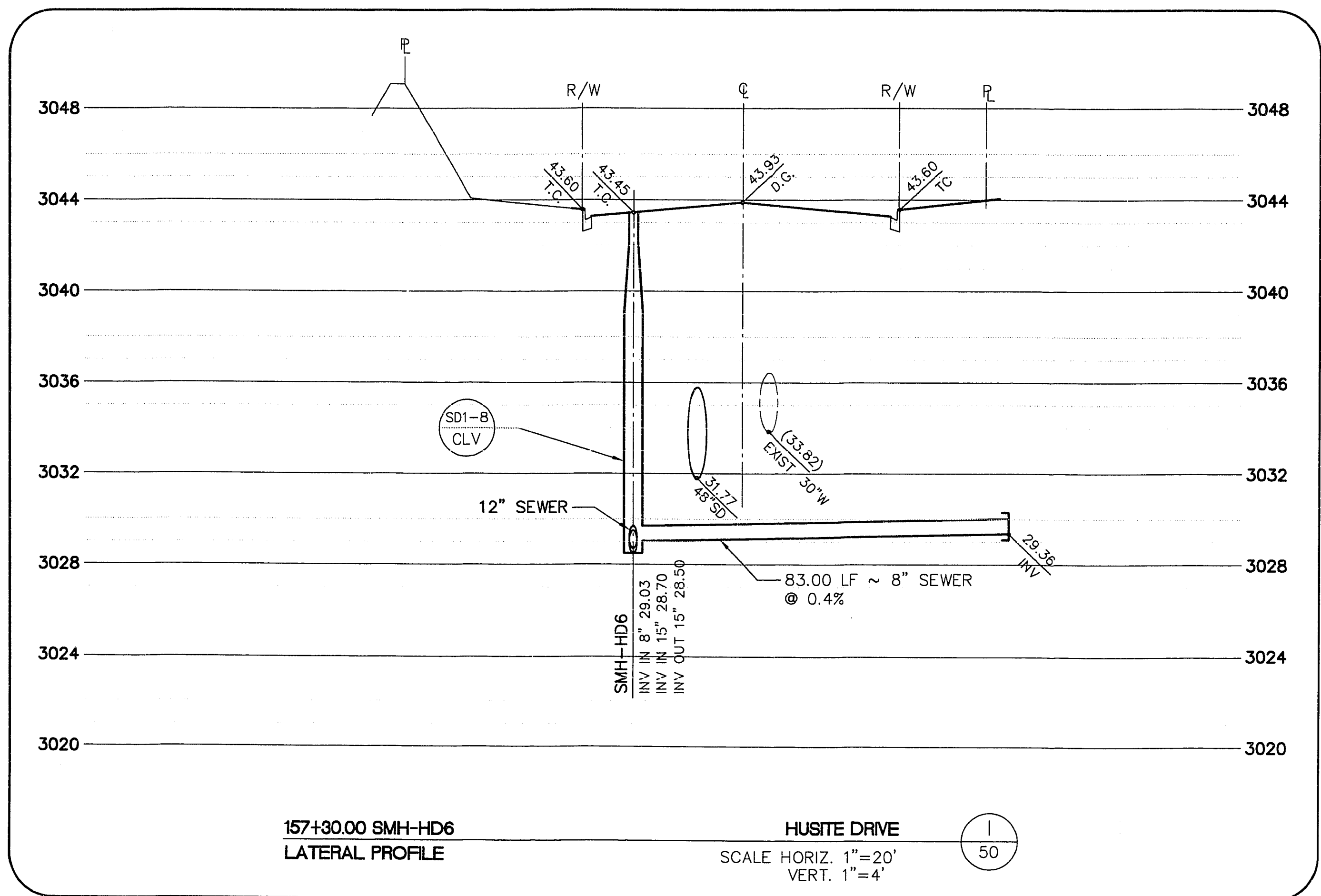
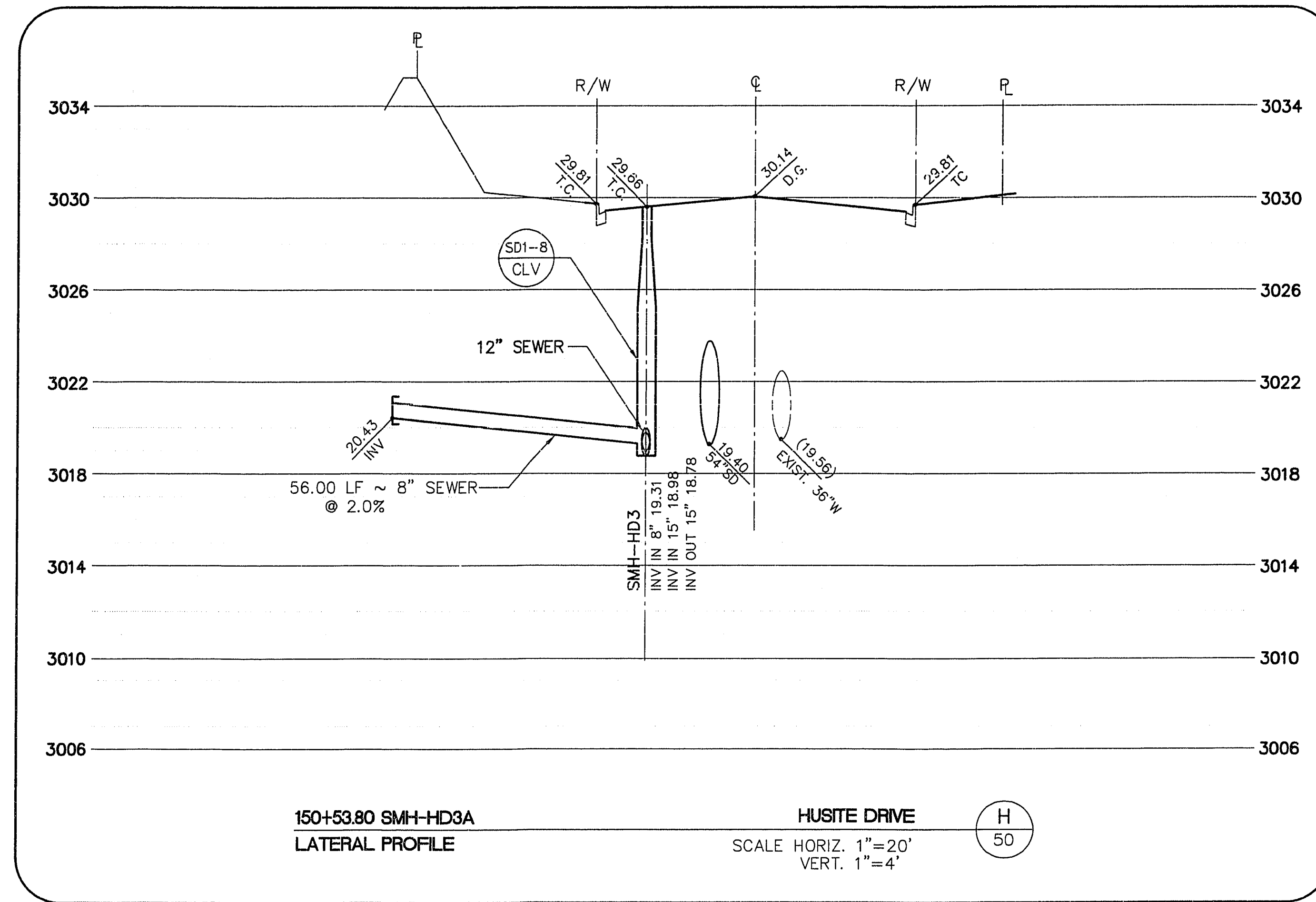
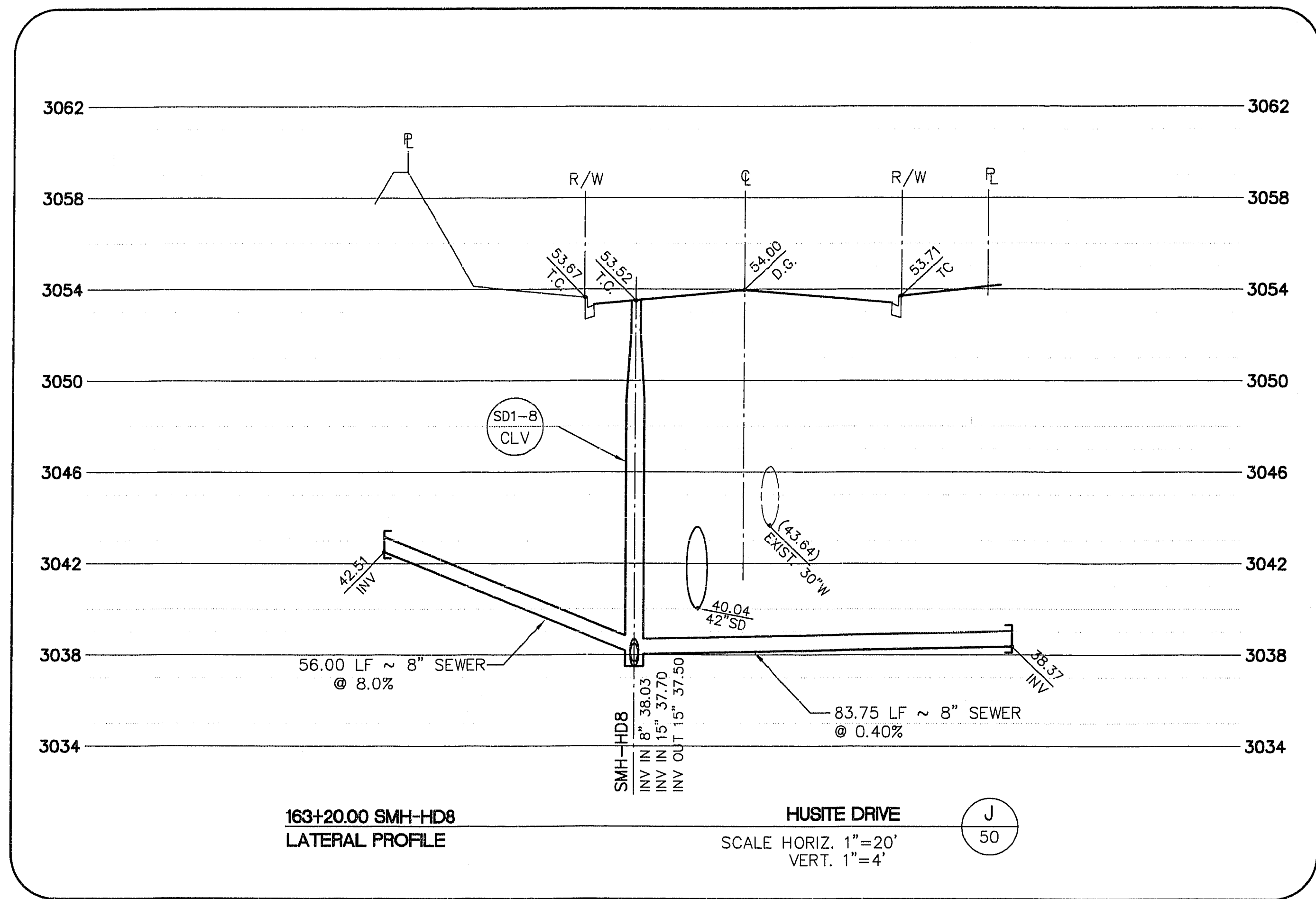


Drawing: C:\DWG\11-12\2A-1002\112A-L50.DWG

May 28, 1996 11:05:56 a.m.

JOB NO. 62011.212



**FINAL SUBMITTAL**

RECOMMENDED BY CHRISTOPHER W. ANDERSON	DATE
DATE	DATE
DATE	DATE
DATE	DATE
DATE	DATE
DATE	DATE
DATE	DATE
DATE	DATE
DATE	DATE
DATE	DATE

STATE OF NEVADA  
REGISTERED PROFESSIONAL ENGINEER  
CHRISTOPHER W. ANDERSON  
NO. 5071  
EXPIRES 5/31/01

G.C. WALLACE, INC.  
Engineering/Architecture  
1035 SOUTH RAINBOW BLVD., LAS VEGAS, NEVADA 89102

**SUMMERLIN  
VILLAGE 11/12 THE ARBORS - UNIT 2A  
HUSITE DRIVE  
SEWER LATERALS**

SHEET  
**50**  
SHT 50 OF 64

11-32-174 307Y-4463-2A