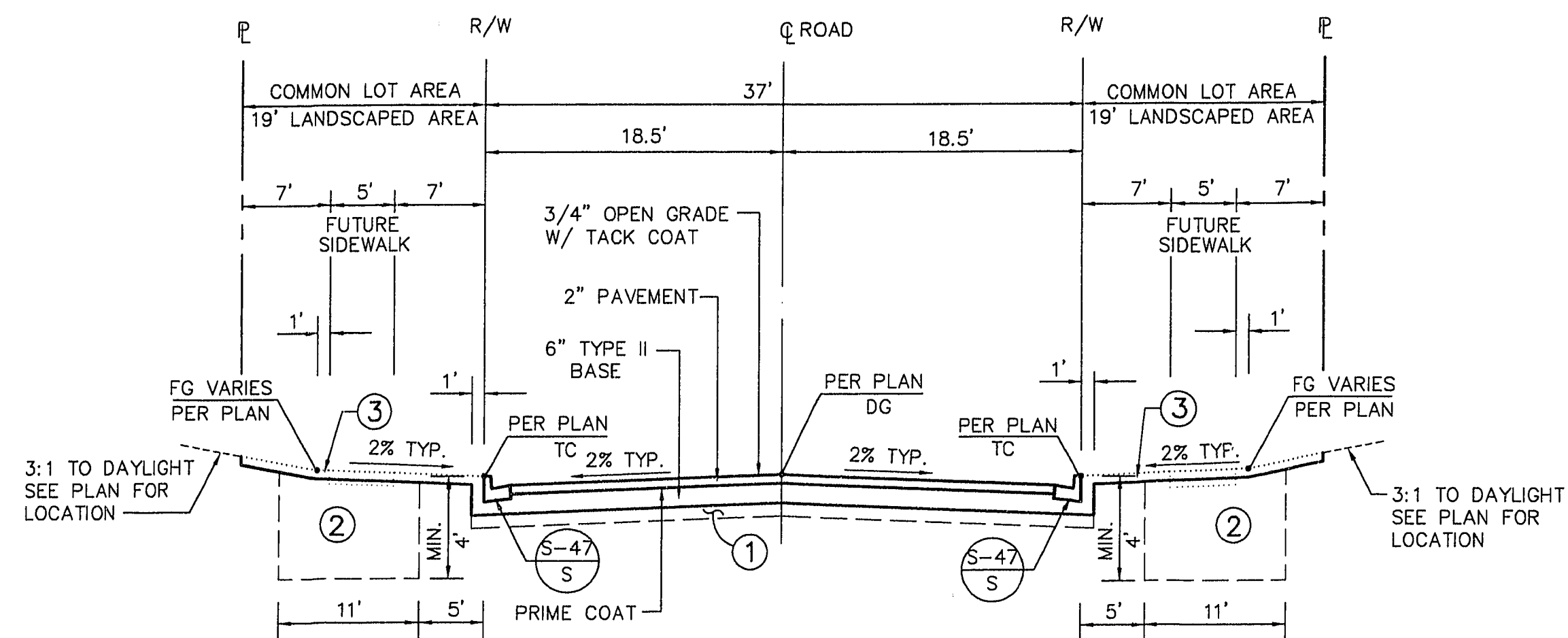


May 22, 1996 10:44:36 a.m. Drawing: C:\DWG\11-12\24-1100\1124-55B.DWG

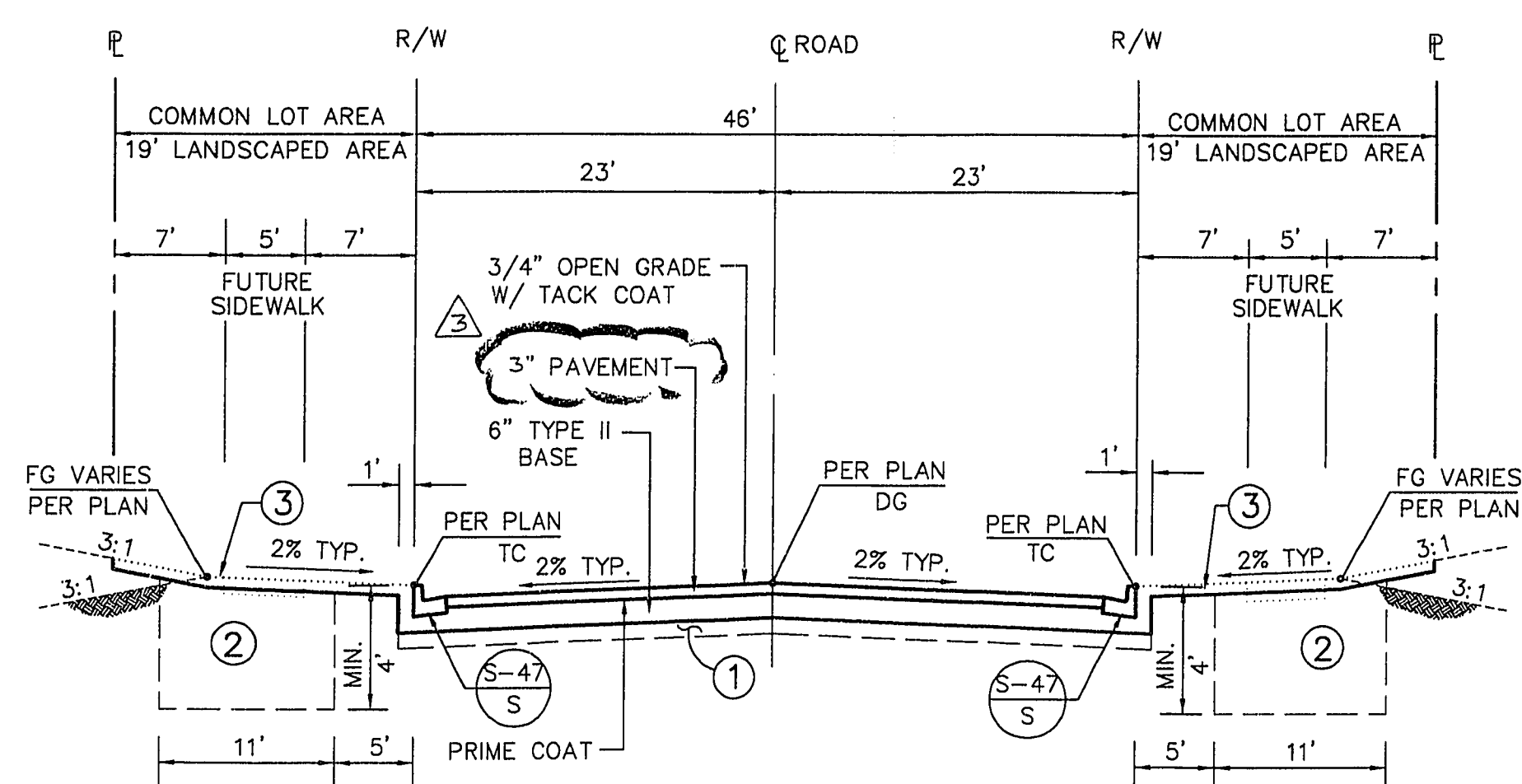
JOB NO. 62011212



STA 0+67.00 TO 6+29.24
ACACIA TREE DRIVE TYPICAL SECTION
 SCALE: HORIZ. 1"=10'
 VERT. 1"=5'

F 58

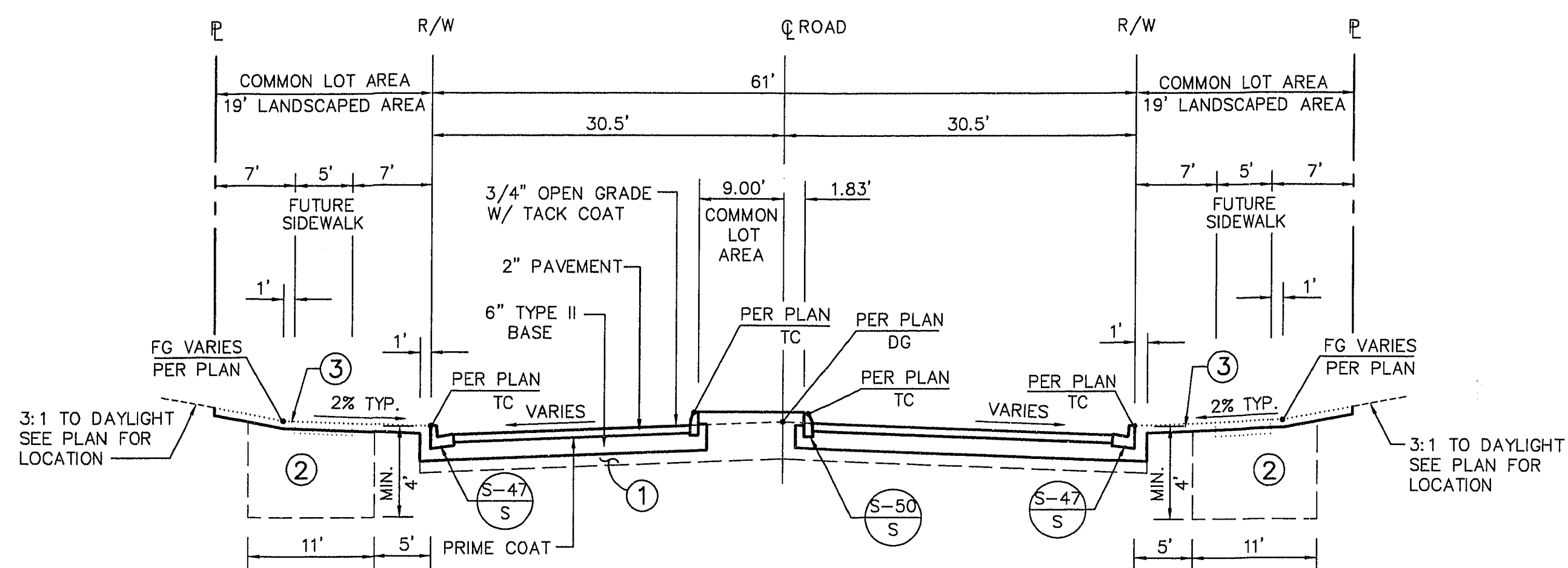
- NOTES:
- ① - SCARIFY NATIVE 6" AND RECOMPACT TO 95%.
 - ② - LANDSCAPE AREA: EXCAVATED AND RECOMPACT TO 85%, OR RIP ENTIRE AREA TO DEPTH INDICATED.
 - ③ - ROUGH GRADE (R.G.) TO BE 4" BELOW FINISH GRADE (F.G.) FOR FUTURE LANDSCAPE PURPOSES.



STA 11+68.46 TO 30+62.47
GREENMOOR LANE TYPICAL SECTION
 SCALE: HORIZ. 1"=10'
 VERT. 1"=5'

C 58

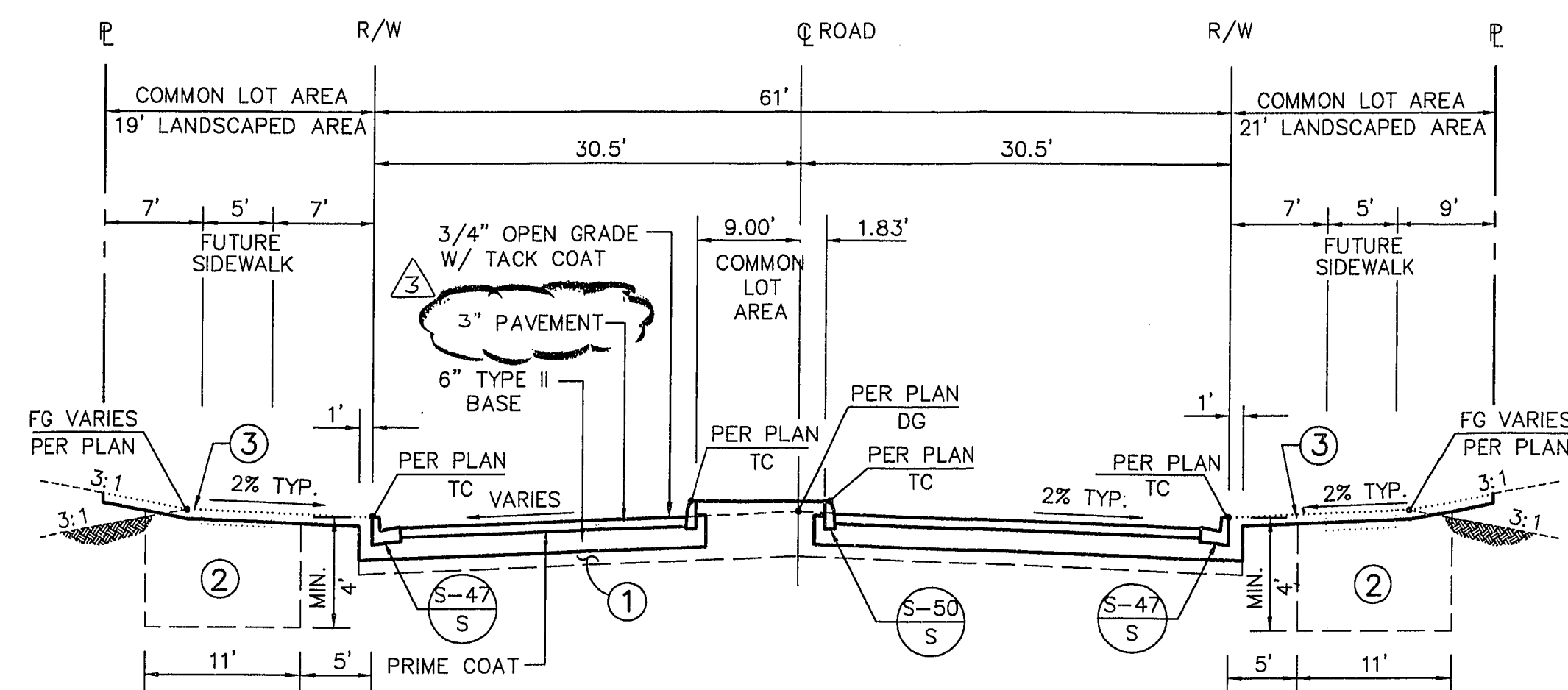
- NOTES:
- ① - SCARIFY NATIVE 6" AND RECOMPACT TO 95%.
 - ② - LANDSCAPE AREA: EXCAVATED AND RECOMPACT TO 85%, OR RIP ENTIRE AREA TO DEPTH INDICATED.
 - ③ - ROUGH GRADE (R.G.) TO BE 4" BELOW FINISH GRADE (F.G.) FOR FUTURE LANDSCAPE PURPOSES.



STA 7+48.64 TO 8+42.24
ACACIA TREE DRIVE TYPICAL SECTION
 SCALE: HORIZ. 1"=10'
 VERT. 1"=5'

E 58

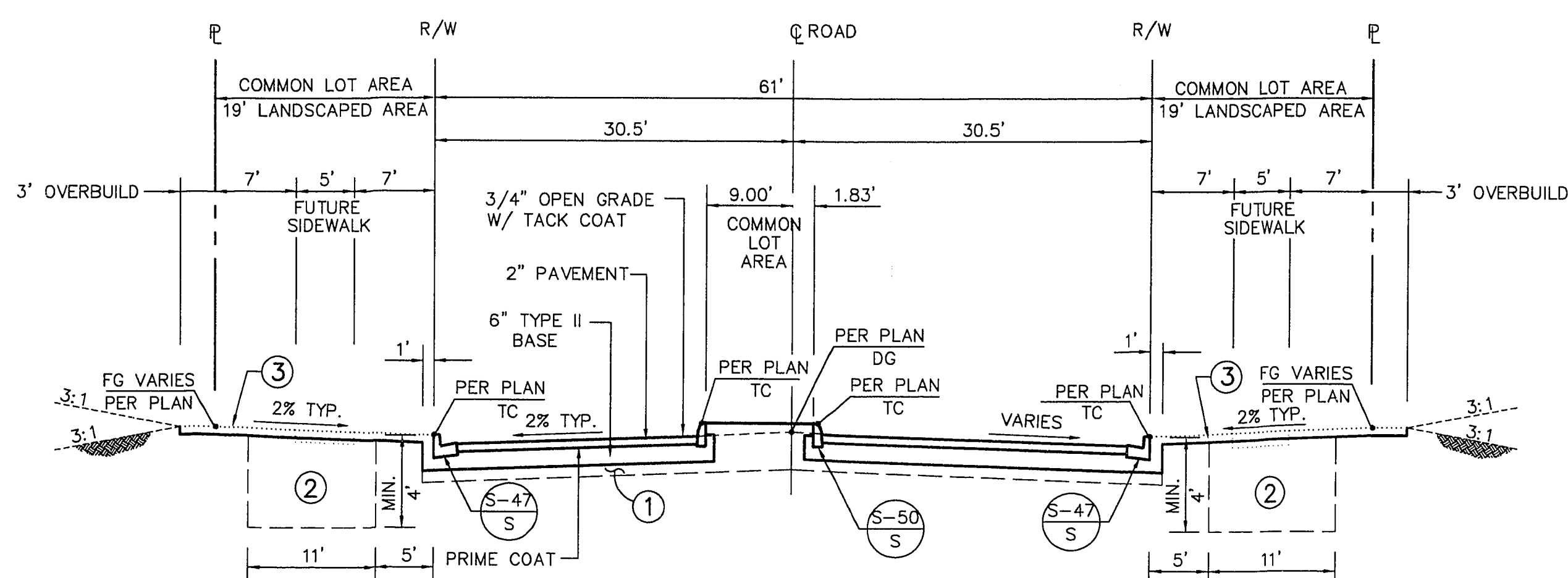
- NOTES:
- ① - SCARIFY NATIVE 6" AND RECOMPACT TO 95%.
 - ② - LANDSCAPE AREA: EXCAVATED AND RECOMPACT TO 85%, OR RIP ENTIRE AREA TO DEPTH INDICATED.
 - ③ - ROUGH GRADE (R.G.) TO BE 4" BELOW FINISH GRADE (F.G.) FOR FUTURE LANDSCAPE PURPOSES.



STA 31+57.04 TO 32+33.16
GREENMOOR LANE TYPICAL SECTION
 SCALE: HORIZ. 1"=10'
 VERT. 1"=5'

B 58

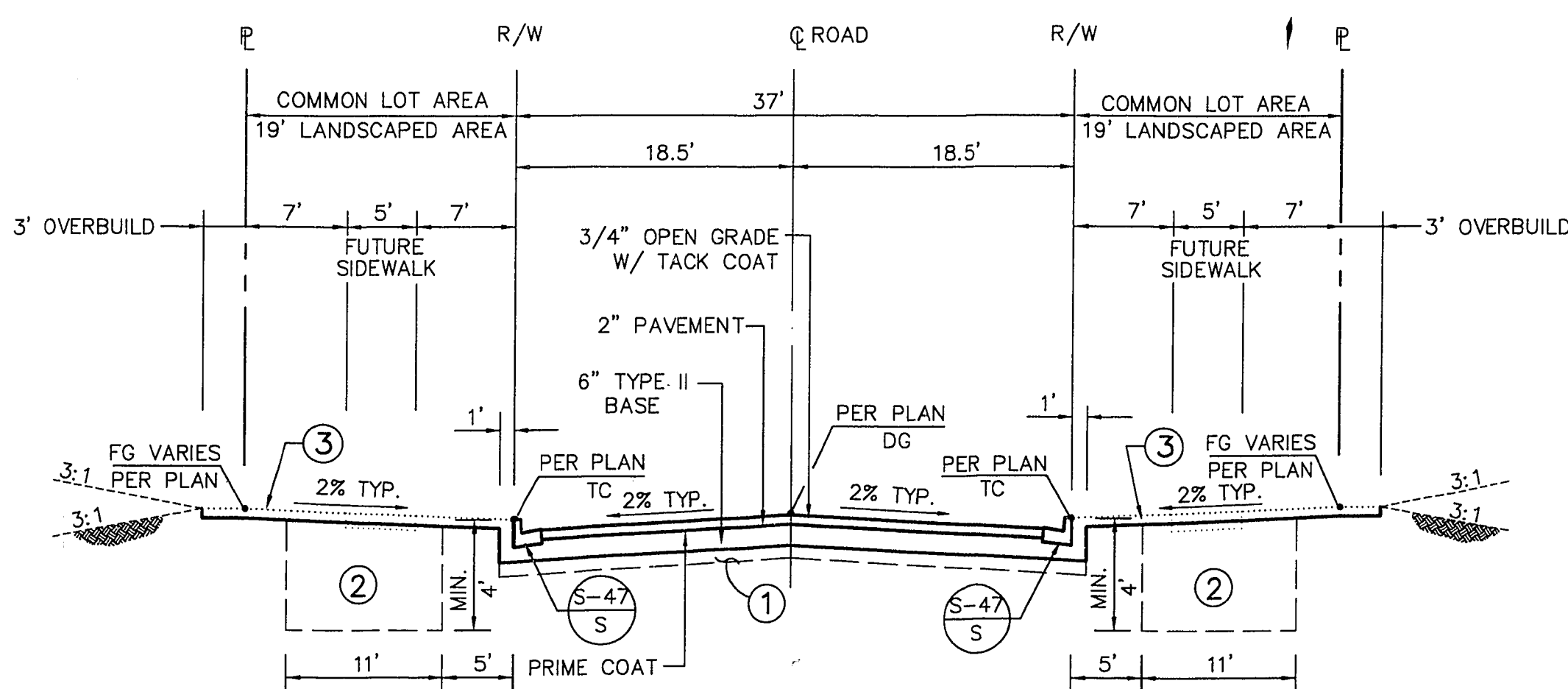
- NOTES:
- ① - SCARIFY NATIVE 6" AND RECOMPACT TO 95%.
 - ② - LANDSCAPE AREA: EXCAVATED AND RECOMPACT TO 85%, OR RIP ENTIRE AREA TO DEPTH INDICATED.
 - ③ - ROUGH GRADE (R.G.) TO BE 4" BELOW FINISH GRADE (F.G.) FOR FUTURE LANDSCAPE PURPOSES.



STA 14+72.49 TO 15+61.18
ARBORDALE PLACE TYPICAL SECTION
 SCALE: HORIZ. 1"=10'
 VERT. 1"=5'

D 58

- NOTES:
- ① - SCARIFY NATIVE 6" AND RECOMPACT TO 95%.
 - ② - LANDSCAPE AREA: EXCAVATED AND RECOMPACT TO 85%, OR RIP ENTIRE AREA TO DEPTH INDICATED.
 - ③ - ROUGH GRADE (R.G.) TO BE 4" BELOW FINISH GRADE (F.G.) FOR FUTURE LANDSCAPE PURPOSES.



STA 12+50.00 TO 13+53.09
ARBORDALE PLACE TYPICAL SECTION
 SCALE: HORIZ. 1"=10'
 VERT. 1"=5'

A 58

- NOTES:
- ① - SCARIFY NATIVE 6" AND RECOMPACT TO 95%.
 - ② - LANDSCAPE AREA: EXCAVATED AND RECOMPACT TO 85%, OR RIP ENTIRE AREA TO DEPTH INDICATED.
 - ③ - ROUGH GRADE (R.G.) TO BE 4" BELOW FINISH GRADE (F.G.) FOR FUTURE LANDSCAPE PURPOSES.

FINAL SUBMITTAL

RECOMMENDED	CHRISTOPHER W. ANDERSON	DATE	7/1/96	APPROVAL
DATE	5071	REV. NO.	AC PAVT. FROM 2" TO 3"	DESCRIPTION

G. C. WALLACE, INC.
 Engineering/Architecture
 1555 SOUTH RIMBURY BLVD./LAS VEGAS, NEVADA 89102

SUMMERLIN
VILLAGE 11/12 THE ARBORS - UNIT 2A
ACACIA TREE DRIVE, GREENMOOR LANE
AND ARBORDALE PLACE
TYPICAL SECTIONS

SHEET
58
 SHT 58 OF 64

11-32-192 107Y-4463-2A