

QUANTITY ESTIMATES

SEWER	UNIT	QUANTITY
4" PVC SEWER LAT.	LF	2,082
8" PVC SEWER (PUBLIC)	LF	2,353
48" DIA. SEWER MANHOLE (PUBLIC)	LF	12
BACKWATER VALVE	EA	52

WATER	UNIT	QUANTITY
6" PVC WATER MAIN	LF	171
8" PVC WATER MAIN	LF	2,211
8"x12" REDUCER	EA	1
8"x6" REDUCER	EA	1
8" GATE VALVE	EA	6
8" CROSS	EA	1
8" TEE	EA	2
8" 45° ELBOW	EA	4
8" 11 1/4" ELBOW	EA	1
8" CAP W/ 2" BLOW-OFF	EA	3
6" CAP W/ 2" BLOW-OFF	EA	1
1" SERVICE LAT. W/ 5/8" METER & BOX	EA	85
1" SERVICE LAT. W/ 1" IRRIGATION METER & BOX	EA	1
1" RPPA	EA	1
FIRE HYDRANT ASSEMBLY	EA	5

DRAINAGE	UNIT	QUANTITY
MOD. TYPE "C" DROP INLET (PUBLIC)	EA	2
24" STORM DRAIN (PUBLIC)	LF	53.27
30" STORM DRAIN (PUBLIC)	LF	180.5
60" DIA. STORM DRAIN MANHOLE (PUBLIC)	EA	2

STREET LIGHTS	UNIT	QUANTITY
1-1/4" STREET LIGHT CONDUIT	LF	2,130
No. 3 1/2 PULL BOX	EA	1
SERVICE POINT	EA	1
100 WATT HPS	EA	17
6" D-3's (STREET NAME SIGN)	EA	5

PUBLIC STREETS	UNIT	QUANTITY
CURB & GUTTER	LF	4,764
VALLEY GUTTER	SF	1,968
SIDEWALK	SF	9,528
HANDICAP RAMP	EA	10
TYPE I AGG. BASE	CY	1,556
TYPE II AGG. BASE	CY	1,459
2" A.C. PAVE.	SY	9,337
STORM DRAIN	LF	1
EXCAVATION & EMBANKMENT	CY	6881

SEPARATE BID ITEMS	UNIT	QUANTITY
8" PVC SEWER (PUBLIC)	LF	98
48" DIA. MANHOLE (PUBLIC)	EA	1
36" STORM DRAIN (PUBLIC)	LF	80
60" DIA. MANHOLE (PUBLIC)	LF	1



* - FOR FIRE DEPARTMENT NOTES SEE SHEET C-3

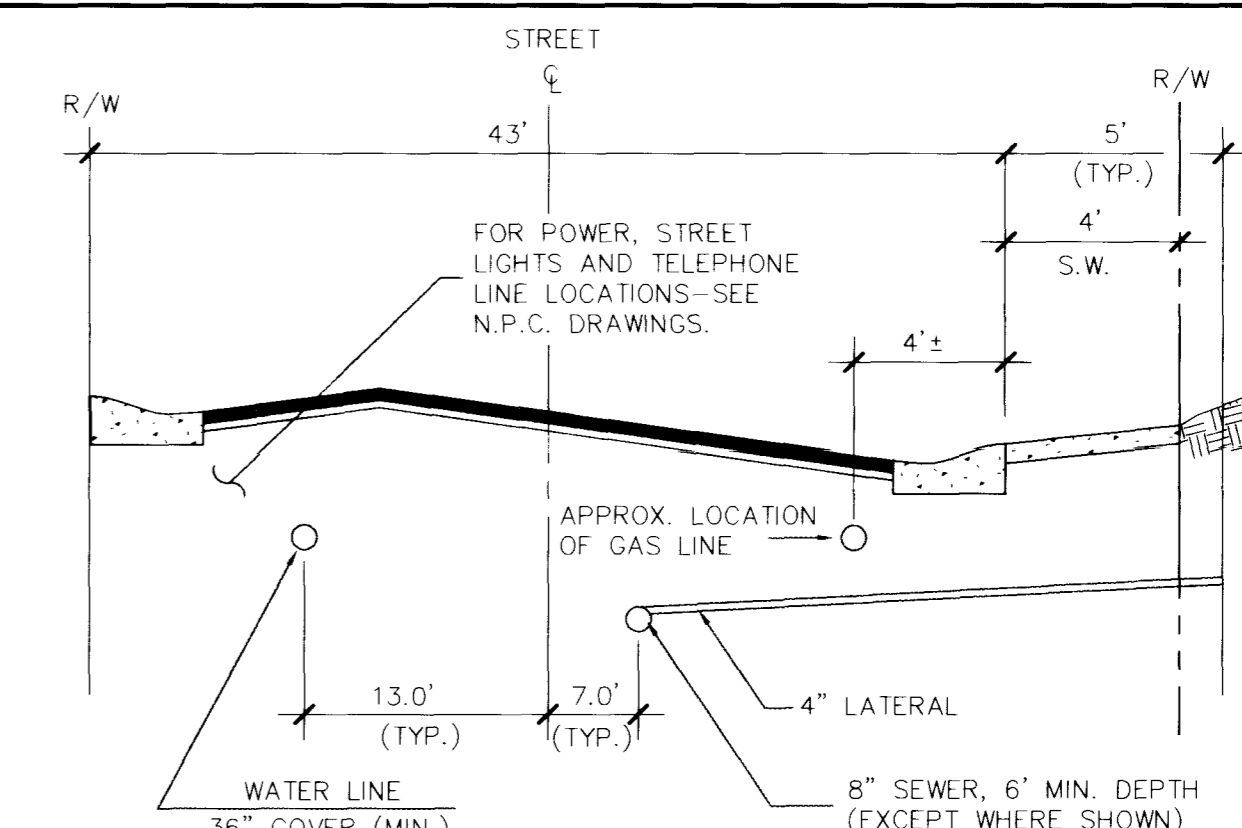
FIRE FLOW CALCULATIONS:

FIRE FLOW REQUIREMENT IS 1500 GALLONS PER MINUTE AT 20 POUNDS PER SQUARE INCH RESIDUAL.

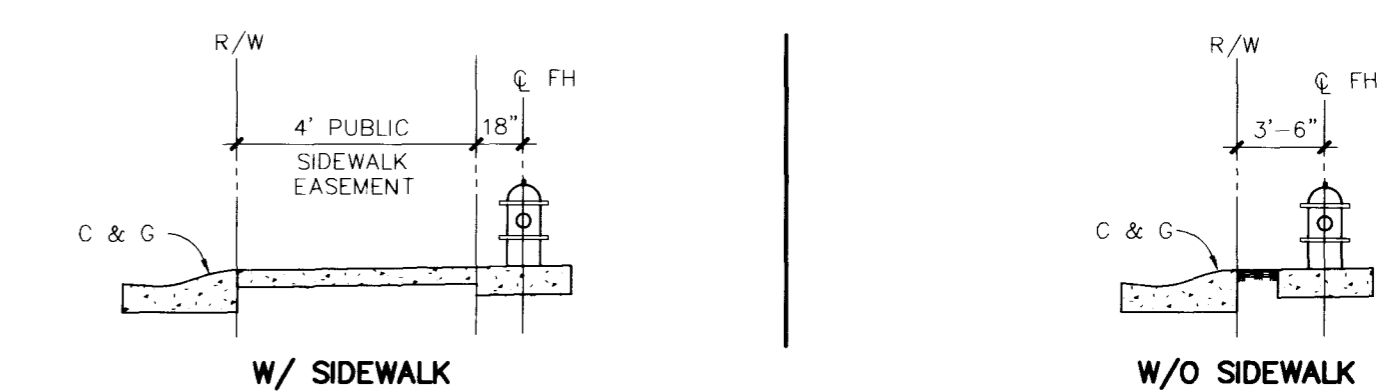
BASED ON:
 SQUARE FOOTAGE 1,350 - 2,400 SF.
 LARGEST AREA BETWEEN SEPARATION WALLS N/A
 HEIGHT TWO-STORY 28' MAX HEIGHT
 TYPE OF CONSTRUCTION TYPE V-N
 EXPOSURES N/A
 SPRINKLER SYSTEM N/A
 OCCUPANCY RESIDENTIAL
 ROOF CONSTRUCTION STANDARD TILE ROOFING
 REVIEWED BY _____
 DATE _____

SEWER CONTRIBUTION

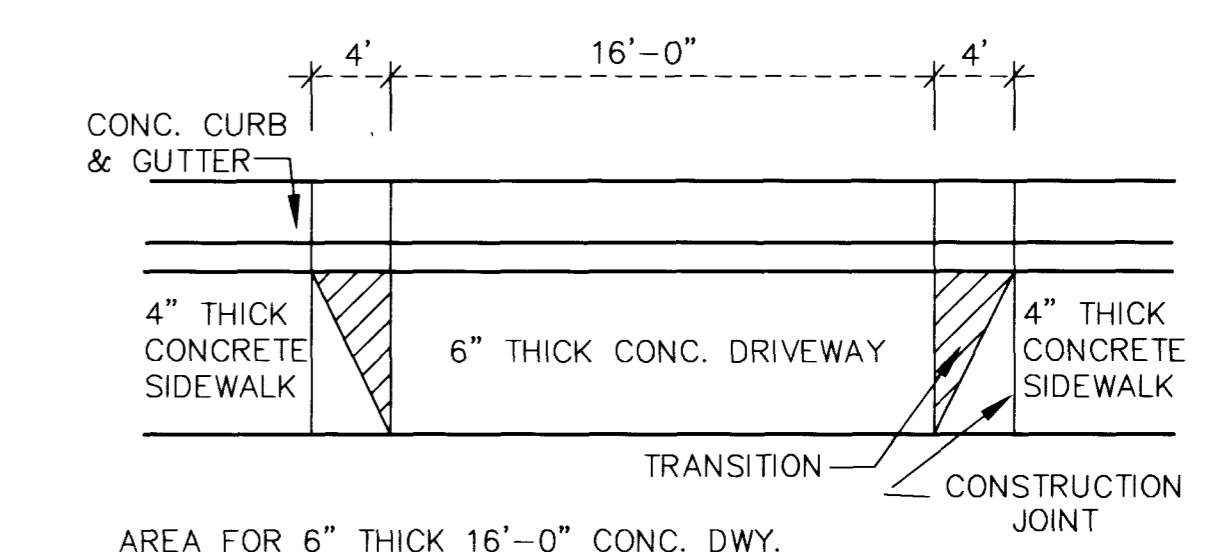
85 LOTS X 2.3 PER LOT = 195.5
 195.5 X 120 GPD = 23,460 GPD AVERAGE
 23,460 GPD X 1.6 PEAKING FACTOR = 37,536 GPD PEAK



TYPICAL STREET SECTION



TYPICAL FIRE HYDRANT LOCATION

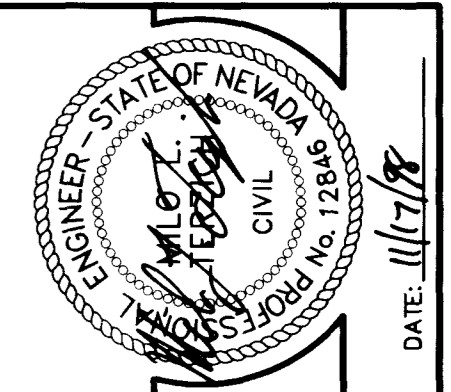


DRIVEWAY DETAIL

AREA FOR 6" THICK 16'-0" CONC. DWY.
 = 4' X (16'-0" + 8') = 96 SQ. FT.

APPROVED FOR CONSTRUCTION

LAS VEGAS VALLEY WATER DISTRICT DATE



REV.	DATE	DESCRIPTION

DESIGN: RLF
 DRAWN: ADR
 CHECK: _____
 ISSUE DATE: _____
 PLOT DATE: 11-17-98
 PLOT TIME: 10:48:10

G. C. WALLACE, INC.
 Engineering/Architecture
 1555 SOUTH RAINBOW BLVD./LAS VEGAS, NEVADA 89102
 TELEPHONE: (702) 363-1200 • FAX: (702) 363-8979

LEWIS HOMES OF NEVADA
 SONOMA HILLS UNIT 1
QUANTITIES & SCHEDULES

