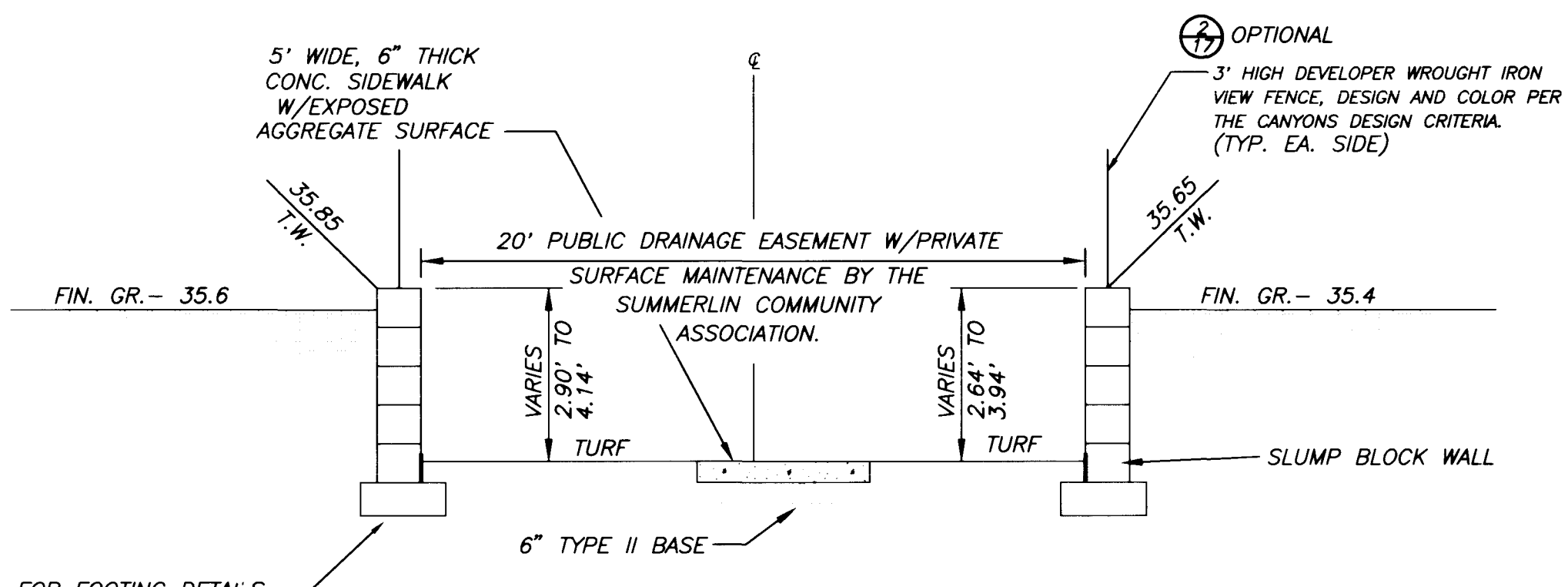
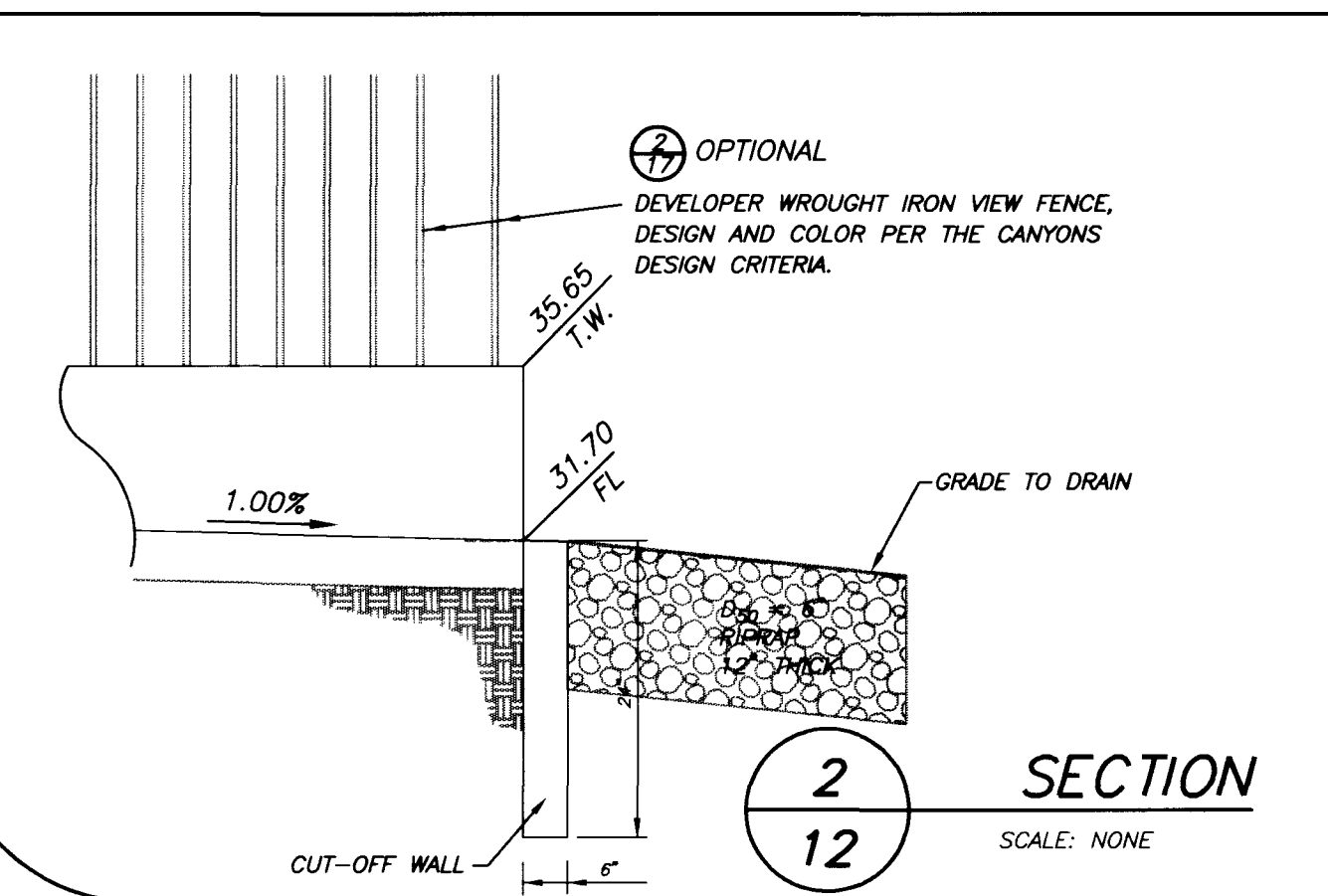


**PROFILE**  
SCALE: HORIZ. 1" = 40'  
VERT. 1" = 4'

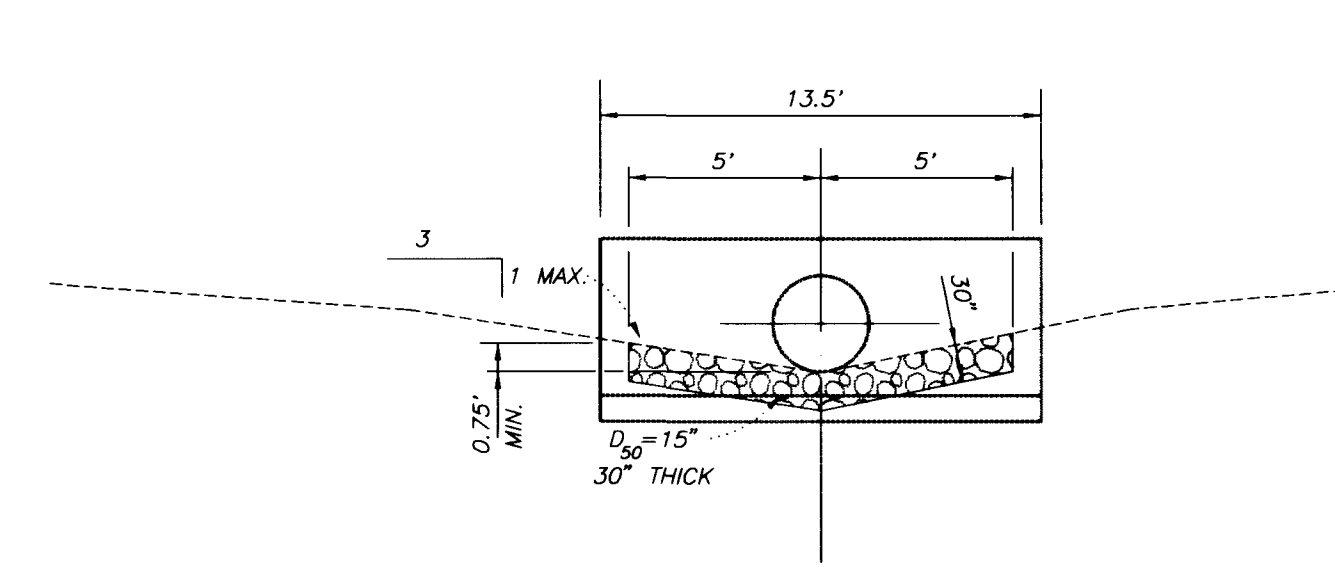
NUISANCE WATER SUMP:  
EXCAVATE A 3' DIA. PIT BELOW SDMH #1  
TO ELEVATION 2918 AND BACKFILL EXCAVATION WITH  
D<sub>50</sub>=3" CRUSHED STONE.  
CUT 18" DIA. HOLE THRU BASE OF SDMH #1,  
BACKFILL HOLE WITH D<sub>50</sub>=15" RIPRAP FLUSH  
WITH INVERT.



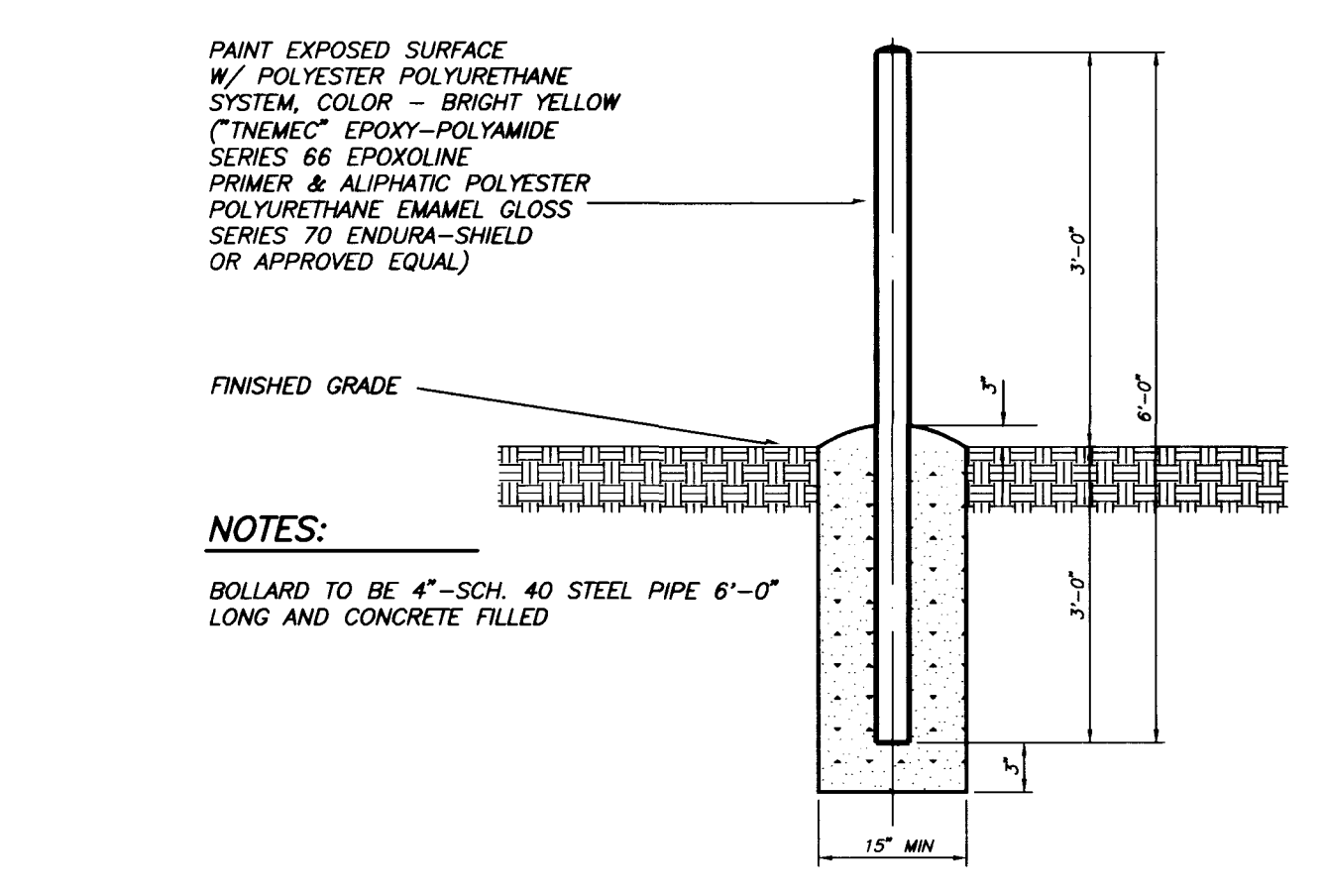
**1 SECTION**  
SCALE: NONE  
SEE SUMMERLIN STD. S-46  
FOR COMPLETE DETAILING.



**2 SECTION**  
SCALE: NONE

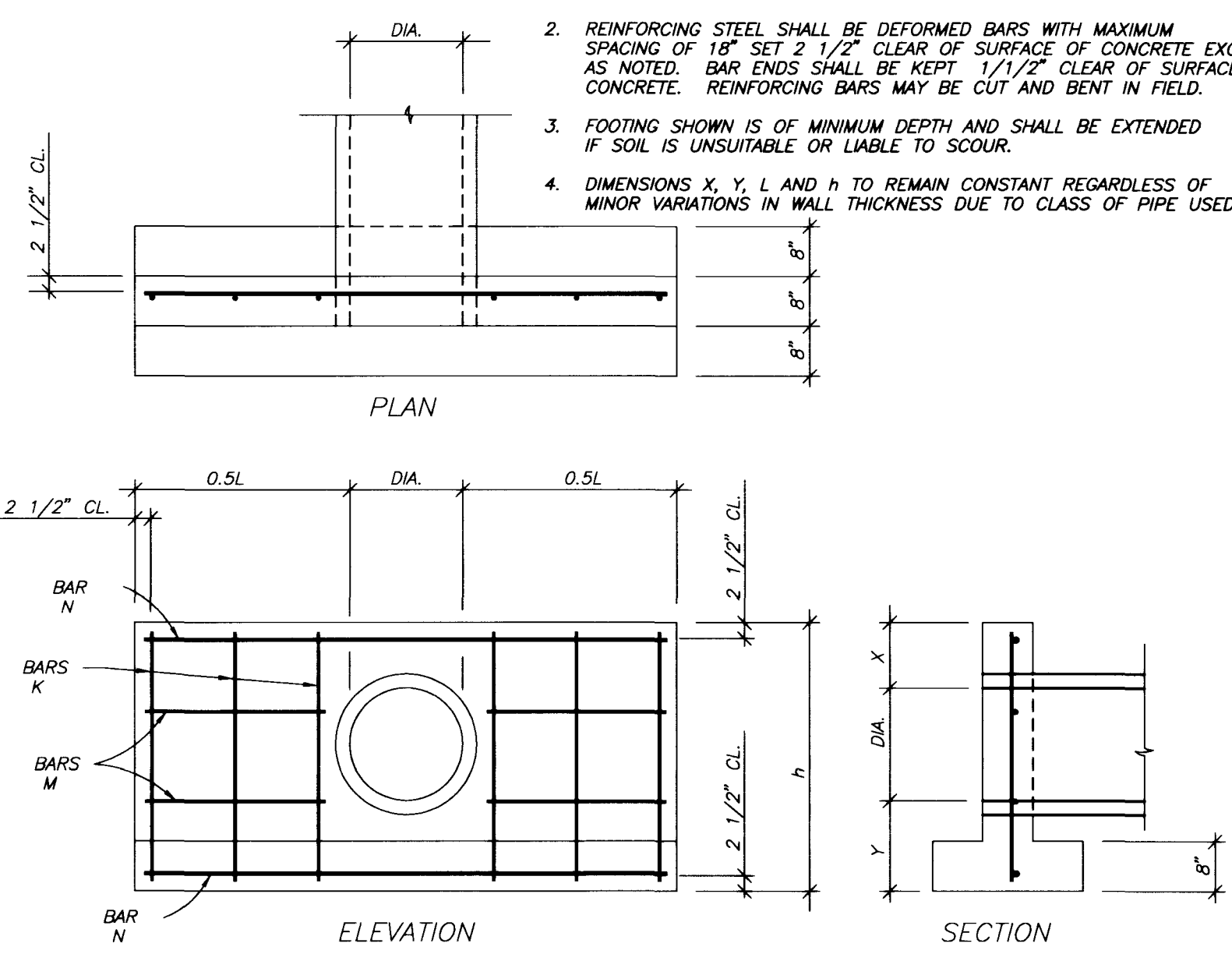


**3 RIP-RAP EROSION PROTECTION**  
SCALE: NONE



**4 TYPICAL BOLLARD DETAIL**  
SCALE: NONE

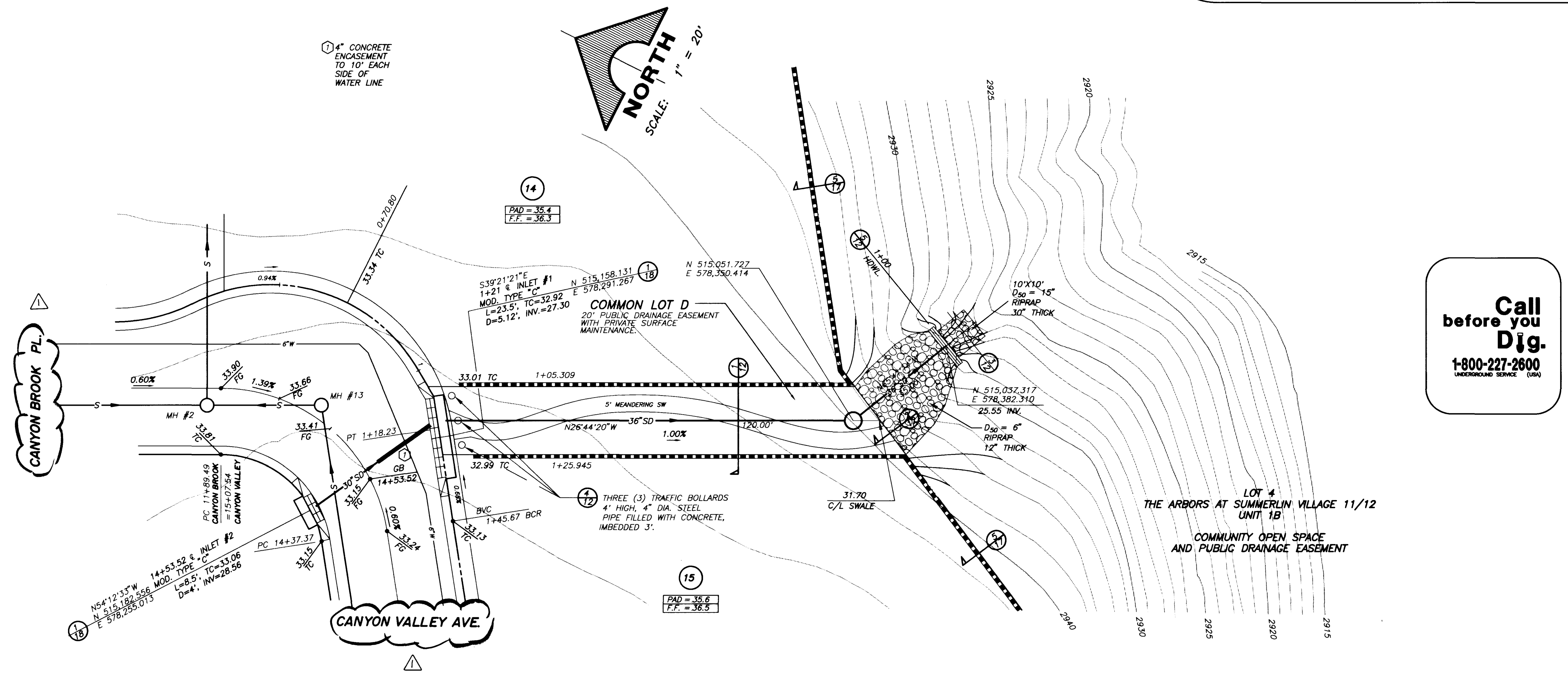
- GENERAL NOTES**
1. CONCRETE SHALL BE CLASS A OR AA.
  2. REINFORCING STEEL SHALL BE DEFORMED BARS WITH MAXIMUM SPACING OF 18" SET 2 1/2" CLEAR OF SURFACE OF CONCRETE EXCEPT AS NOTED. BAR ENDS SHALL BE KEPT 1 1/2" CLEAR OF SURFACE OF CONCRETE. REINFORCING BARS MAY BE CUT AND BENT IN FIELD.
  3. FOOTING SHOWN IS OF MINIMUM DEPTH AND SHALL BE EXTENDED IF SOIL IS UNSUITABLE OR LIABLE TO SCOUR.
  4. DIMENSIONS X, Y, L AND h TO REMAIN CONSTANT REGARDLESS OF MINOR VARIATIONS IN WALL THICKNESS DUE TO CLASS OF PIPE USED.



RCP PIPE DIA.	X	Y	L	h	QUANTITY OF REINFORCING BARS		
					NO. 4 K	NO. 5 N	NO. 4 M
36"	1'-0"	1'-4"	10'-6"	5'-4"	10 @ 3'-1"	2 @ 13'-3"	6 @ 4'-8"

**CULVERT HEADWALL**  
FROM NDOT R - 2.5.1-(502)  
SCALE: NONE

**5 SECTION**  
SCALE: NONE



SEE SHEET 7 FOR PLAN & PROFILE

**STORM DRAINAGE OUTFALL**  
SCALE: 1" = 20'

NOTE:  
THE STORM DRAIN SYSTEM WITHIN THIS SUBDIVISION  
IS DESIGNED TO CONVEY THE 100 YEAR STORM.

APPROVED FOR CONSTRUCTION  
*Dan P. Kowalski* 4/16/97  
LAS VEGAS VALLEY WATER DISTRICT DATE

Call before you Dig.  
1-800-227-2600  
UNDERGROUND SERVICE (US)

REV.	DATE	DESCRIPTION	CL. BY	DATE
1	4/16/97	ISSUED FOR PERMITS	ES	
2	4/16/97	ISSUED FOR PERMITS	ES	

RECOMMENDED BY:  
SONNY W. WALLACE  
REGISTERED PROFESSIONAL ENGINEER  
NO. 10118  
P.E. NO. 44117  
G. C. WALLACE, INC.  
Engineering/Architecture  
1555 SOUTH RAINBOW BLVD./LAS VEGAS, NEVADA 89102

BEAZER HOMES HOLDING CORPORATION OF NEVADA  
SCARLETT CANYON at SUMMERLIN  
STORM DRAIN OUTFALL

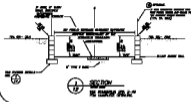
SHEET  
**12**  
OF 18 SHEETS

327Y-4508



PROFILE  
SCALE 1:7

CONCRETE  
MANHOLES  
AND  
PIPE



SECTION  
1  
12" STORM PIPE



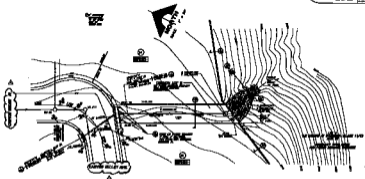
SECTION  
2  
12" STORM PIPE



SECTION  
3  
12" RE-RAP EROSION PROTECTION



SECTION  
4  
12" TYPICAL RETARD DETAIL

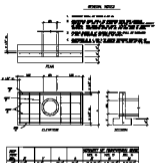


SEE SHEET 7 FOR PLAN TO PROFILE

STORM DRAINAGE OUTFALL  
SCALE 1" = 20'

SEE SHEET 8 FOR PLAN TO PROFILE

SEE SHEET 9 FOR PLAN TO PROFILE



DETAILS OF THE STORM PIPE  
SCALE 1" = 20'

12  
127Y-458