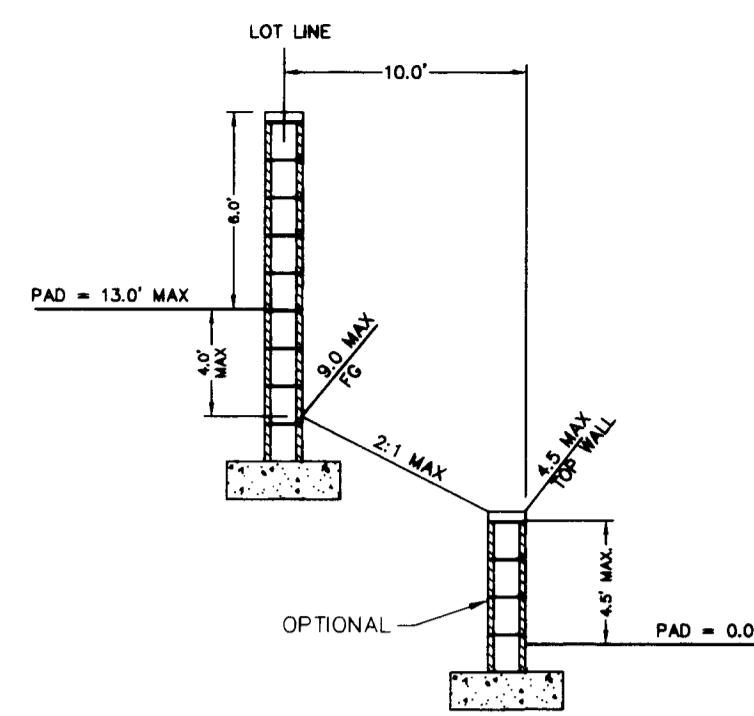
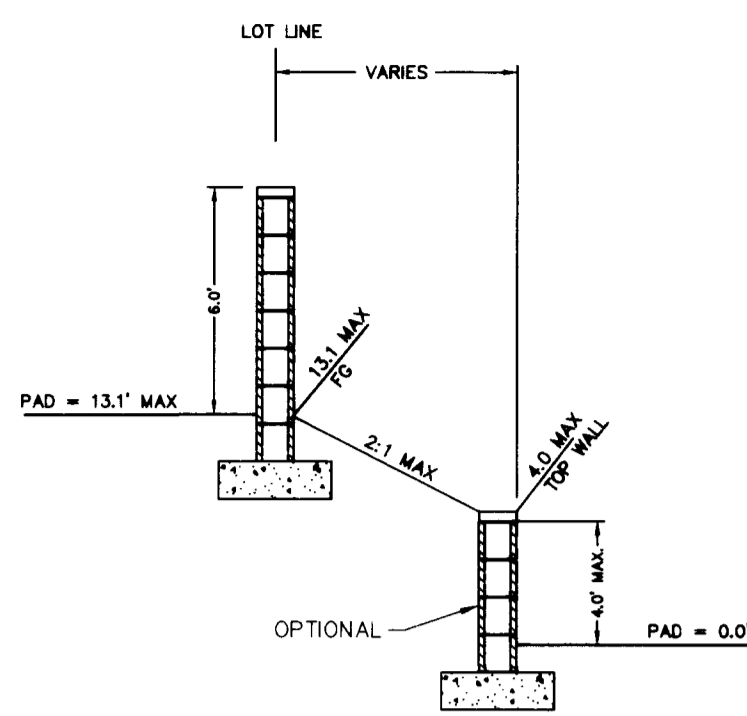


UNIT 1,2&3



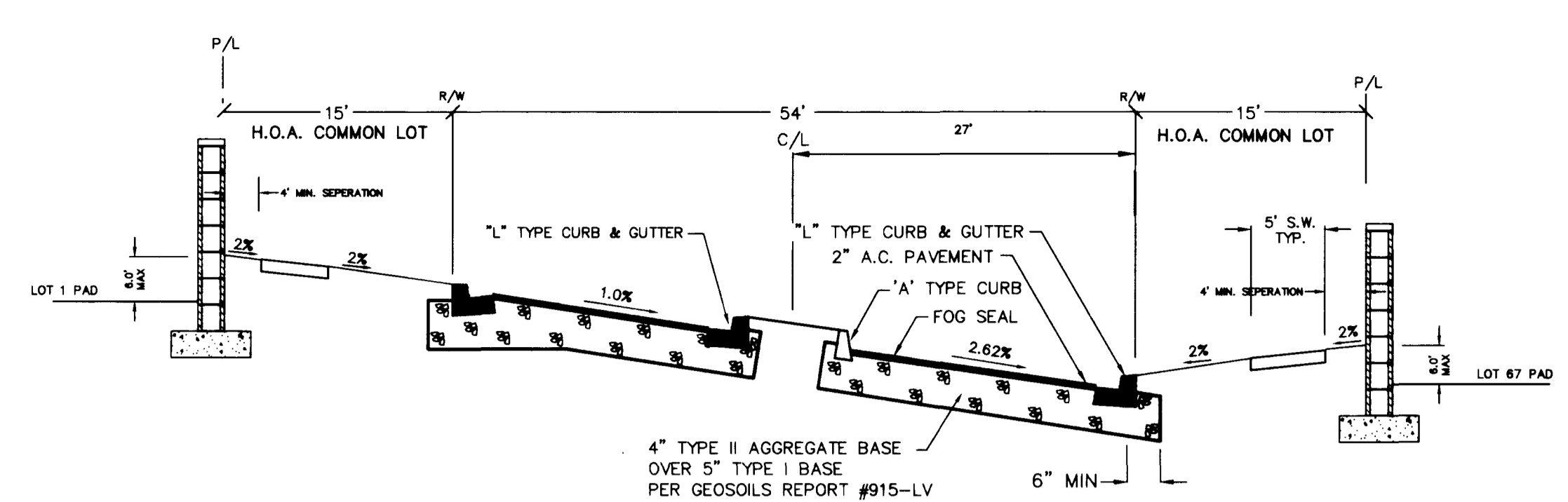
SECTION U

UNIT 1&3



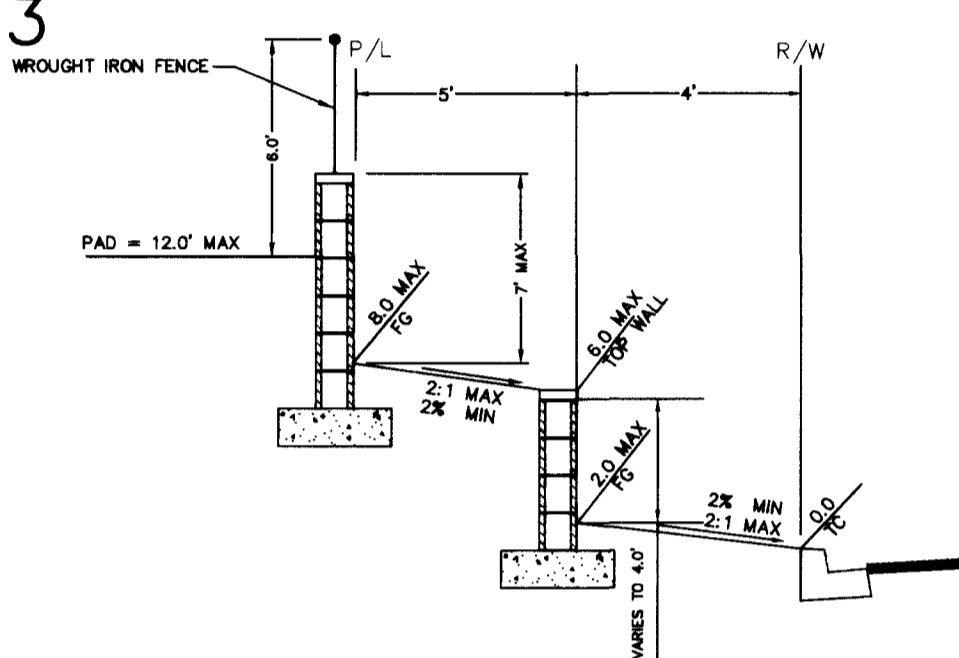
SECTION V

UNIT 1



SECTION W - PRIMARY ENTRY 54' ROW
PER SUMMERLIN STD. DWG. No. 5-12

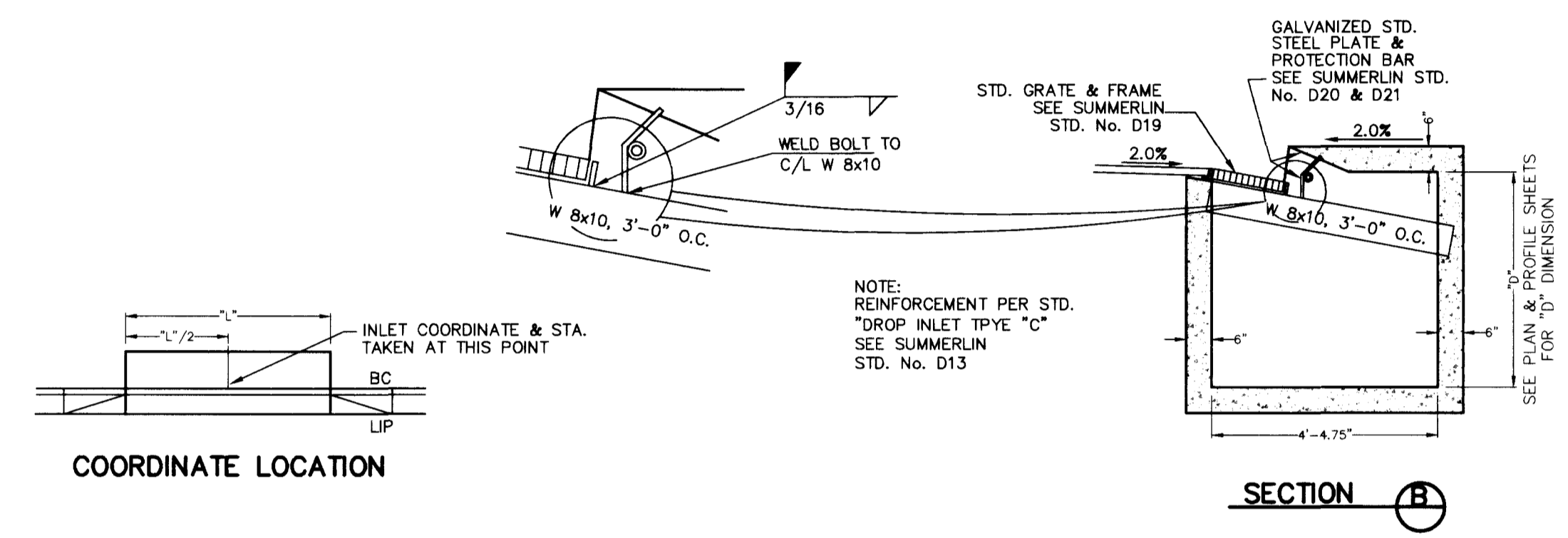
UNIT 3



SECTION Y

NOTE:
BLOCK WALLS AND RETAINING WALLS ARE SHOWN FOR REFERENCE ONLY, AND ARE TO BE DESIGNED BY OTHERS.

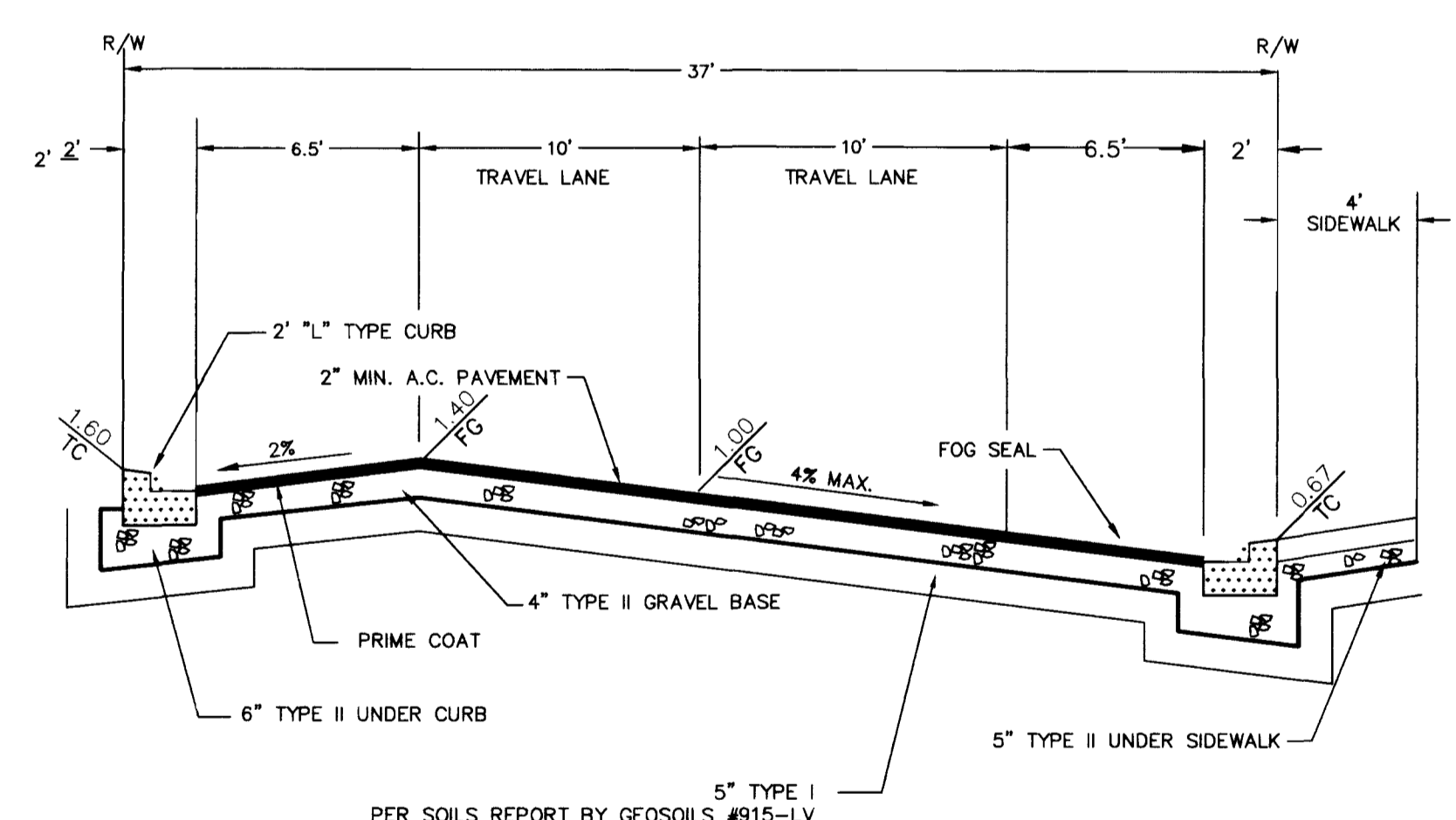
UNIT 3



COORDINATE LOCATION

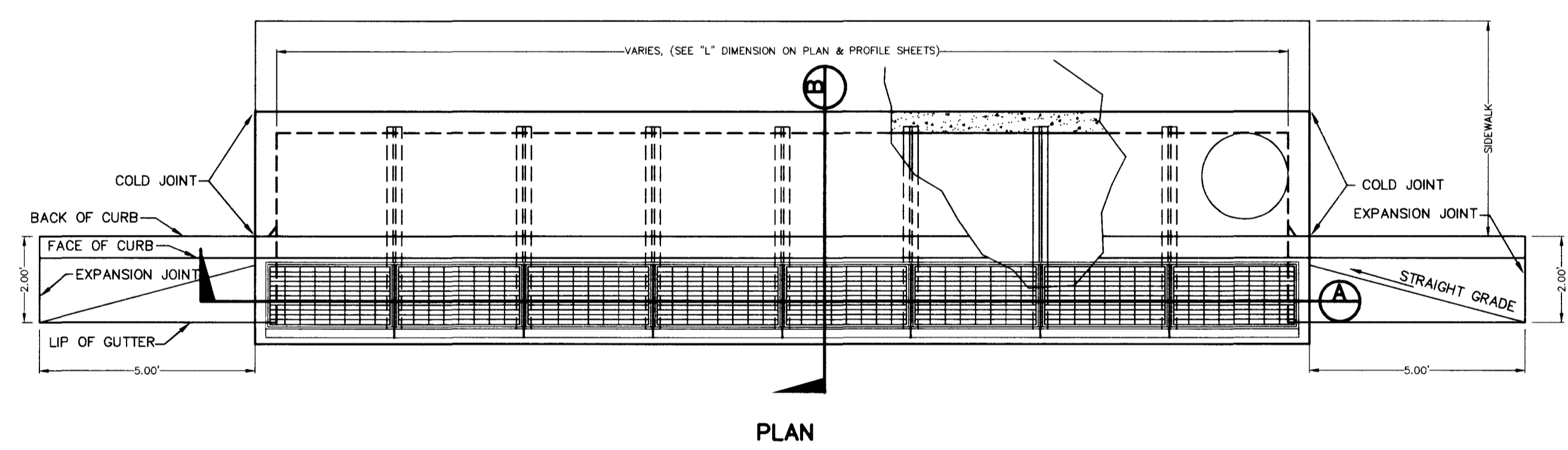
SECTION B

UNIT 1,2&3

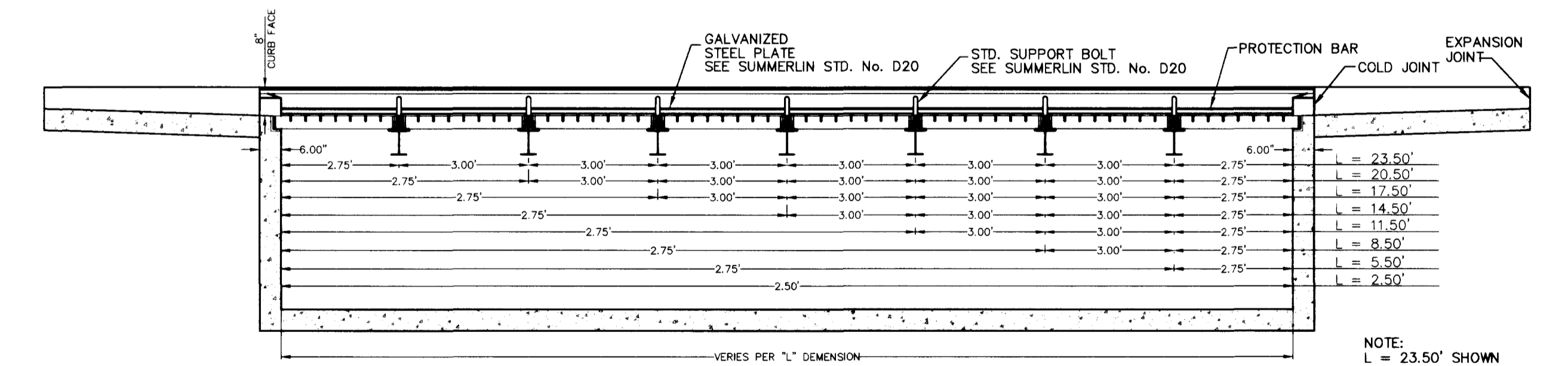


- STREET SECTION NOTES:
- SEE APPROPRIATE VILLAGE DESIGN CRITERIA FOR LANDSCAPE TREATMENT AND WIDTH.
 - SEE GENERAL NOTES ON STD. DWG. S-1 OF THIS SECTION.
 - SEE STD. DWG. U-5 FOR LOCATION OF UTILITIES.
 - SIDEWALK OF WALKWAY MAY MEANDER PROVIDED THAT A 3' MINIMUM SEPARATION IS MAINTAINED BETWEEN THE WALKWAY OR SIDEWALK AND THE CURB.
 - STREET LIGHTS SHALL NOT ENCROACH INTO SIDEWALKS OR WALKWAYS.
 - PUBLIC SIDEWALK EASEMENTS SHALL BE PROVIDED ON THE APPROPRIATE SIDE OF THOSE PUBLIC STREETS WHERE SIDEWALKS ARE TO BE BUILT AND THAT GARAGE DOOR SETBACKS ARE TO BE MEASURED FROM THE RIGHT-OF-WAY LINE OR THE HOUSE SIDE OF THE SIDEWALK, WHICHEVER IS THE SHORTEST DISTANCE.
 - FINAL APPROVAL OF THE INDICATED STREET SECTION IS PENDING FINAL REVIEW AND ACCEPTANCE OF THE GEOSOLS SOILS STUDY (# 915-LV) BY THE CITY OF LAS VEGAS.

SECTION T - INTERIOR STREET (TYP.)
PER SUMMERLIN STD. DWG. No. 5-15 (MODIFIED)



PLAN



SECTION A

MODIFIED TYPE 'C' DROP INLET

REVISED NEW STREET NAMES: *See Top Sheet*

APPROVED BY: *HAL*

DATE: 6/7

REVISION: A

SUBMITTED BY: *EDWARD TANG*

REGISTERED PROFESSIONAL ENGINEER - STATE OF NEVADA
CIVIL
No. 44,441

ALPHA & ENGINEERING COMPANY
1000 W. DATE ROAD, LAS VEGAS, NV 89107
TELEPHONE: (702) 871-1200

PROJECT: ROYAL WOODS - UNIT 2

TITLE: DETAIL SHEET PRESLEY HOMES

JOB NO.: 712903

NAME: HAIXIN LI

DATE: 11.24.97

SCALE: NO SCALE

PAGE: D2

13 of 13

6916

1074-4538-2

UNIT 1,2&3



SECTION U

UNIT 1&3



SECTION V

UNIT 1



SECTION W - PRIMARY ENTRY 54' ROW

UNIT 3



SECTION Y

NOTE:

SEE SHEET 101 FOR COMPLETE ROOF AND VENT
DETAILS AND SEE SHEET 102 FOR

UNIT 3



UNIT 1,2&3

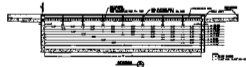


NOTE: SEE SHEET

1. SEE SHEET 101 FOR COMPLETE ROOF AND VENT DETAILS
2. SEE SHEET 102 FOR COMPLETE ROOF AND VENT DETAILS
3. SEE SHEET 103 FOR COMPLETE ROOF AND VENT DETAILS
4. SEE SHEET 104 FOR COMPLETE ROOF AND VENT DETAILS
5. SEE SHEET 105 FOR COMPLETE ROOF AND VENT DETAILS
6. SEE SHEET 106 FOR COMPLETE ROOF AND VENT DETAILS
7. SEE SHEET 107 FOR COMPLETE ROOF AND VENT DETAILS
8. SEE SHEET 108 FOR COMPLETE ROOF AND VENT DETAILS
9. SEE SHEET 109 FOR COMPLETE ROOF AND VENT DETAILS
10. SEE SHEET 110 FOR COMPLETE ROOF AND VENT DETAILS

SECTION T - INTERIOR STREET (TYP.)

SEE SHEET 101 FOR COMPLETE



MODIFIED TYPE 'C' DROP INLET

ALPHA
CORPORATION
1017-0130-2

ROYAL WOODS - UNIT 2

DETAIL SHEET
PRESLEY/HONES

DATE	10/10/01
BY	J.P.H.
CHK	J.P.H.
APP	J.P.H.

DR	10/10/01
----	----------