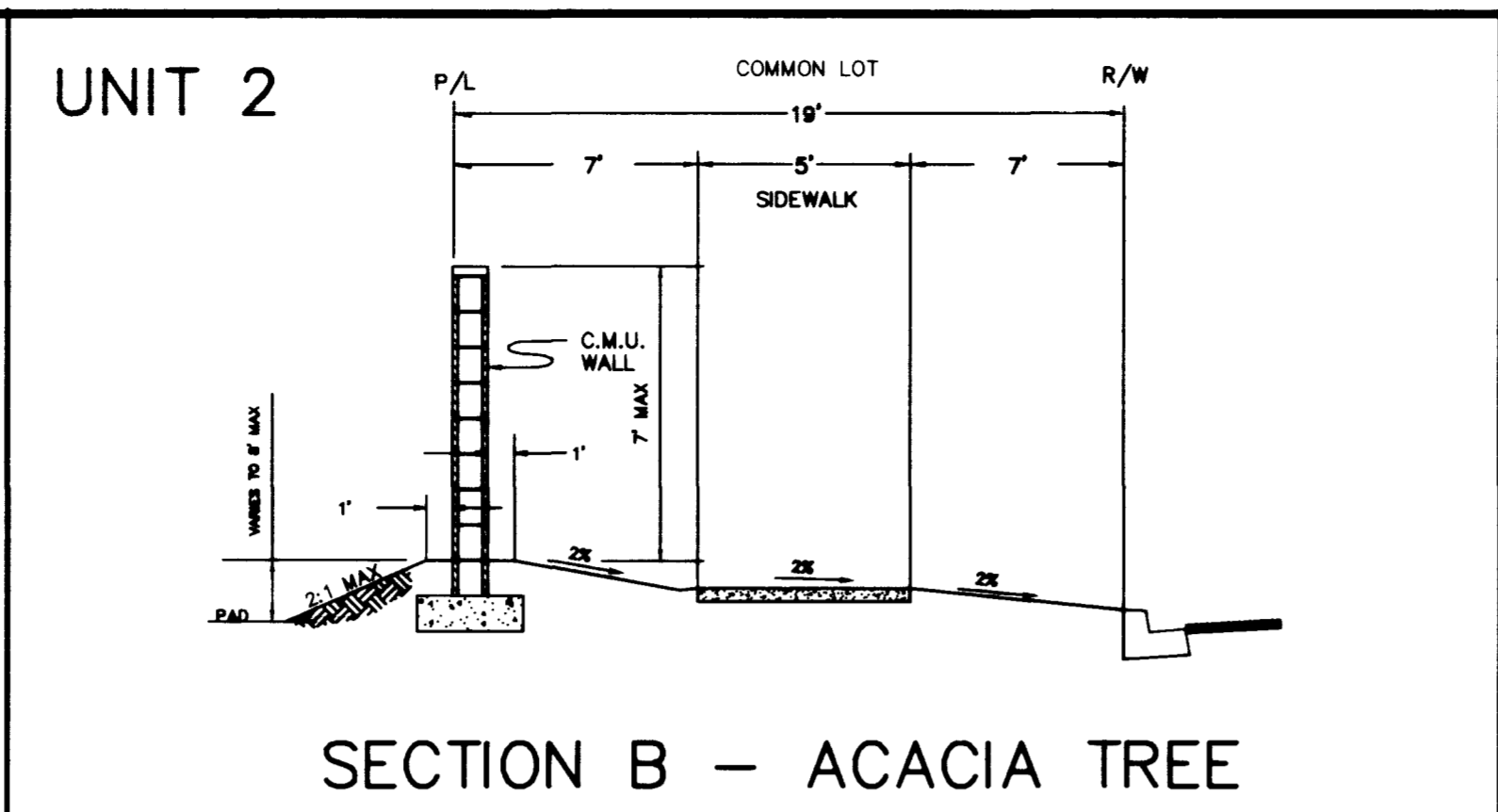
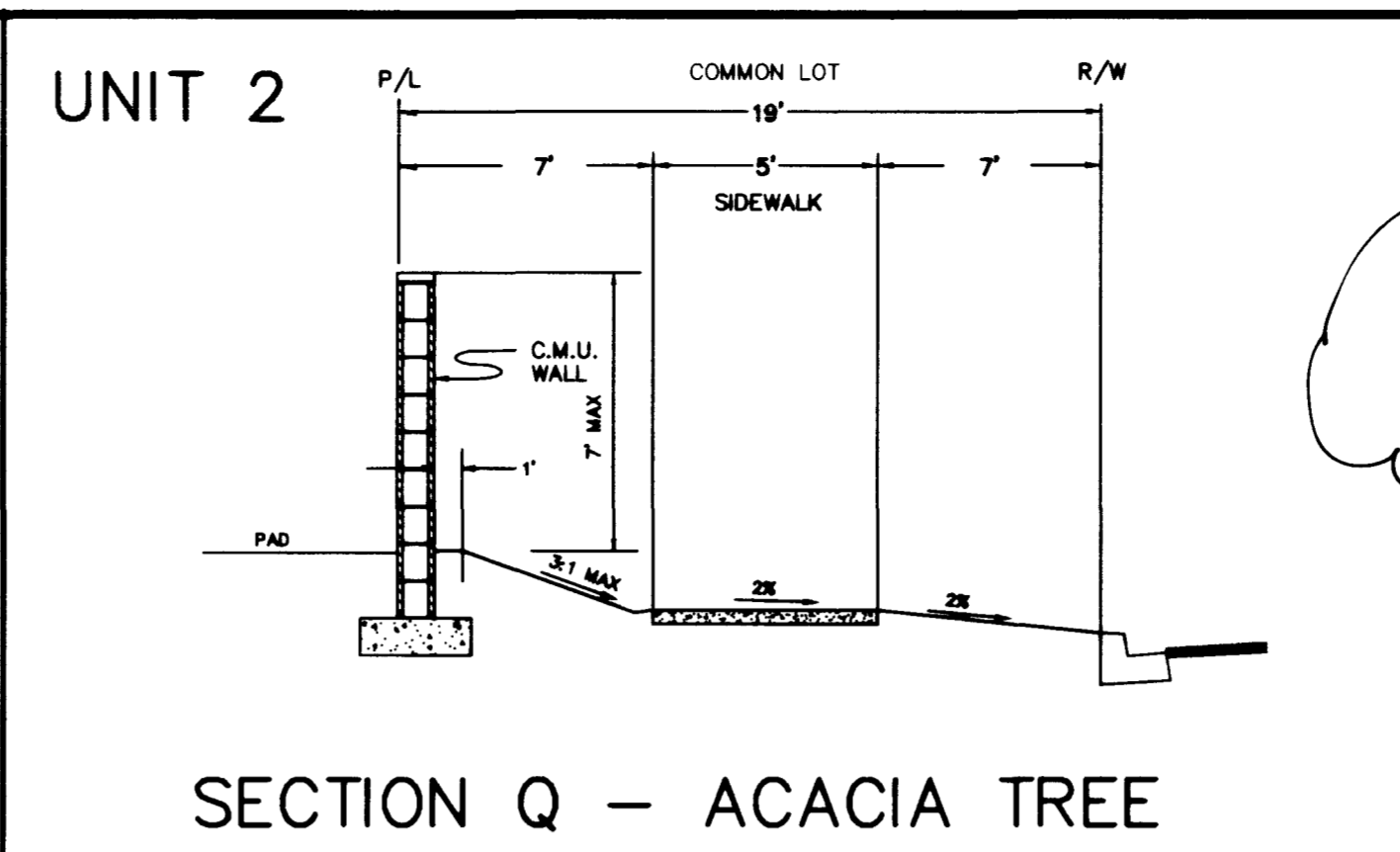


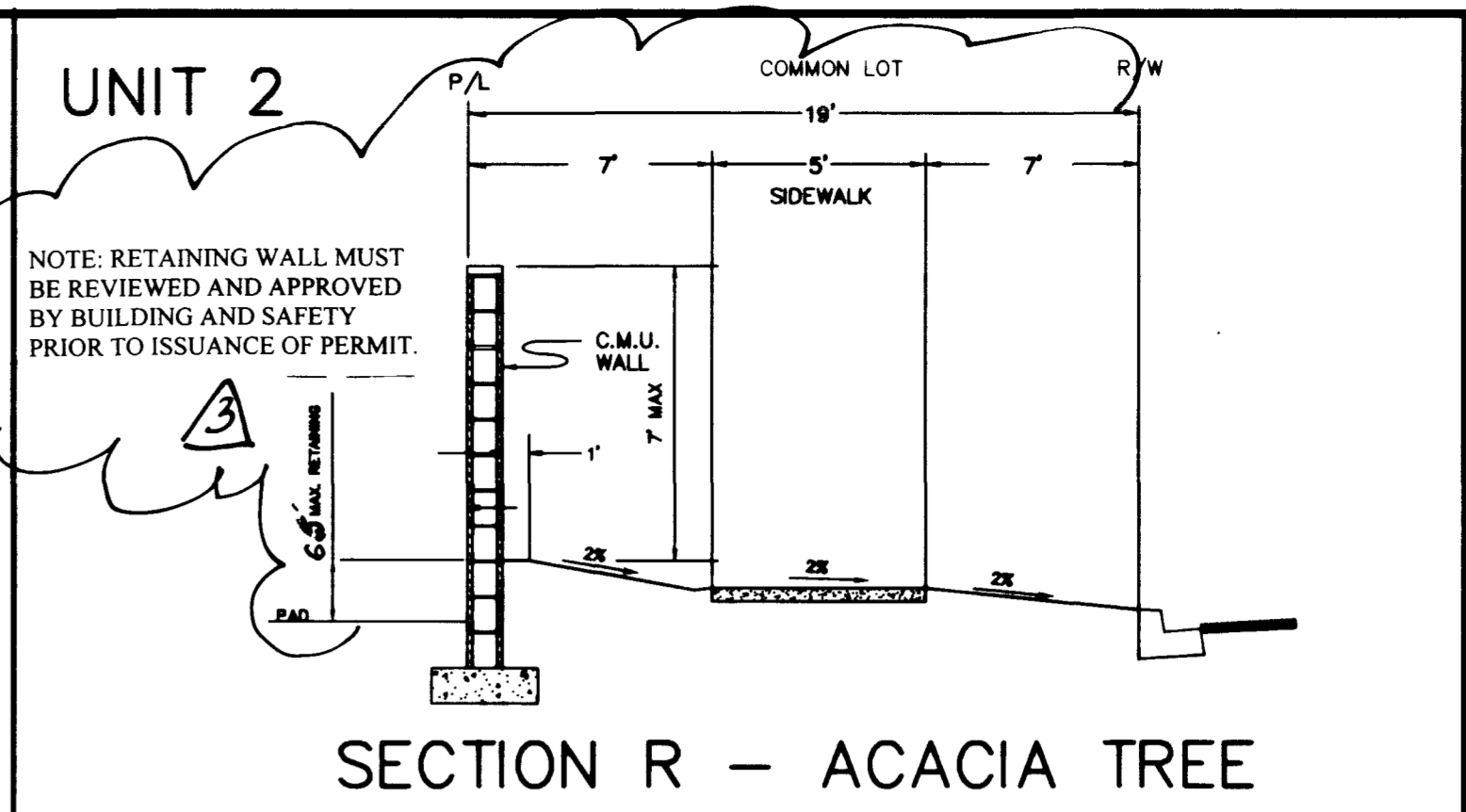
SECTION A - ACACIA TREE



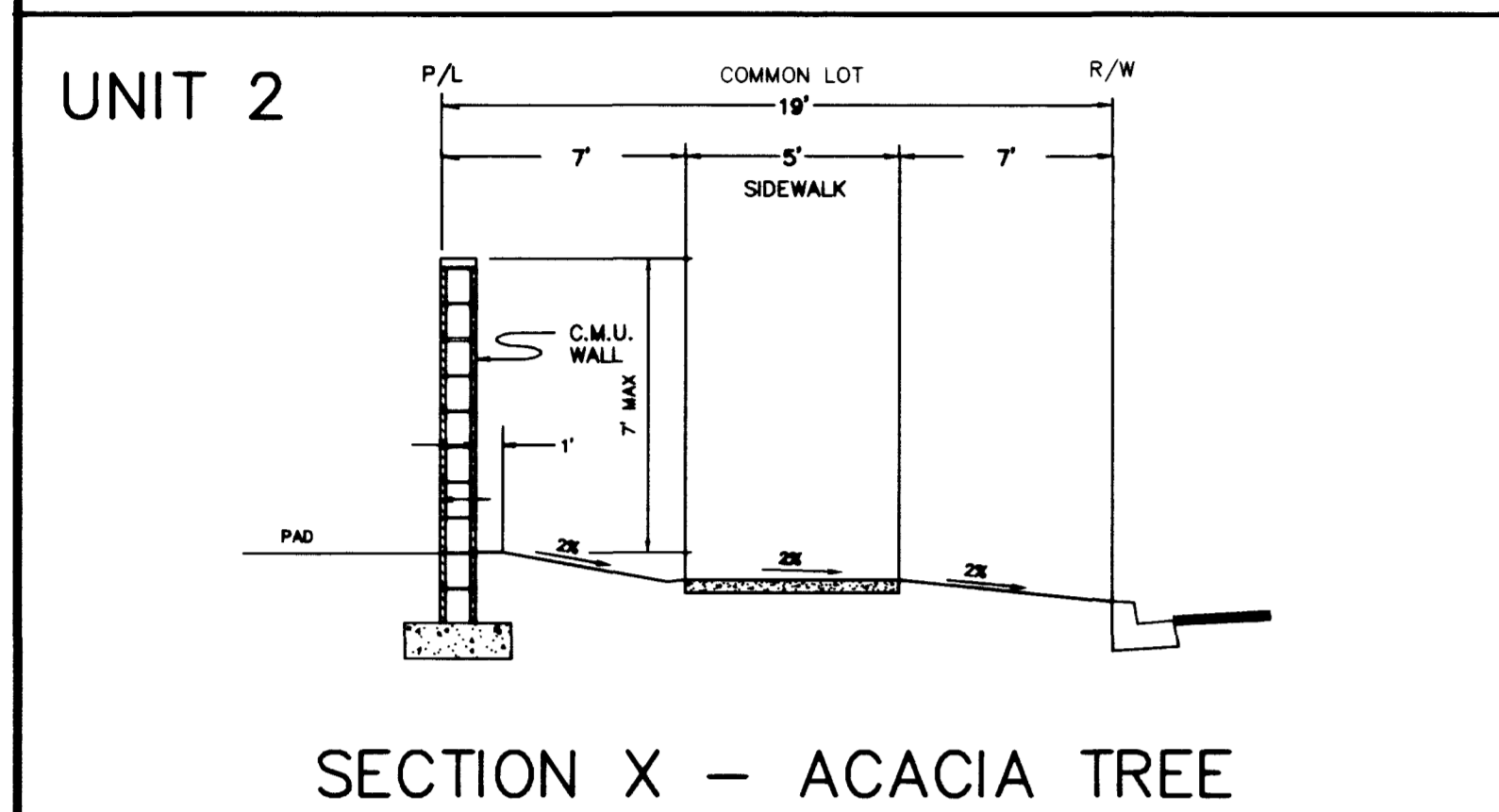
SECTION B - ACACIA TREE



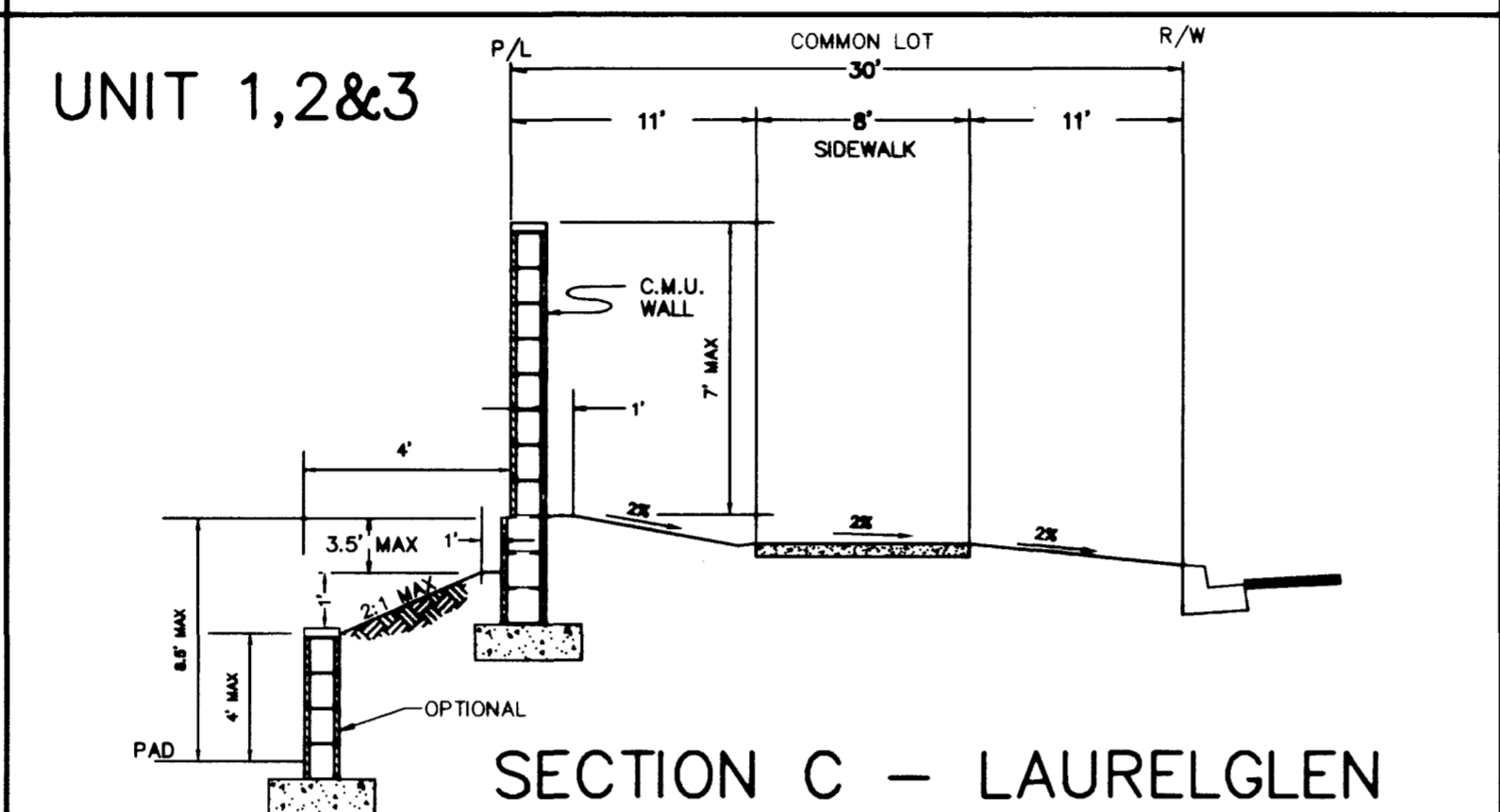
SECTION Q - ACACIA TREE



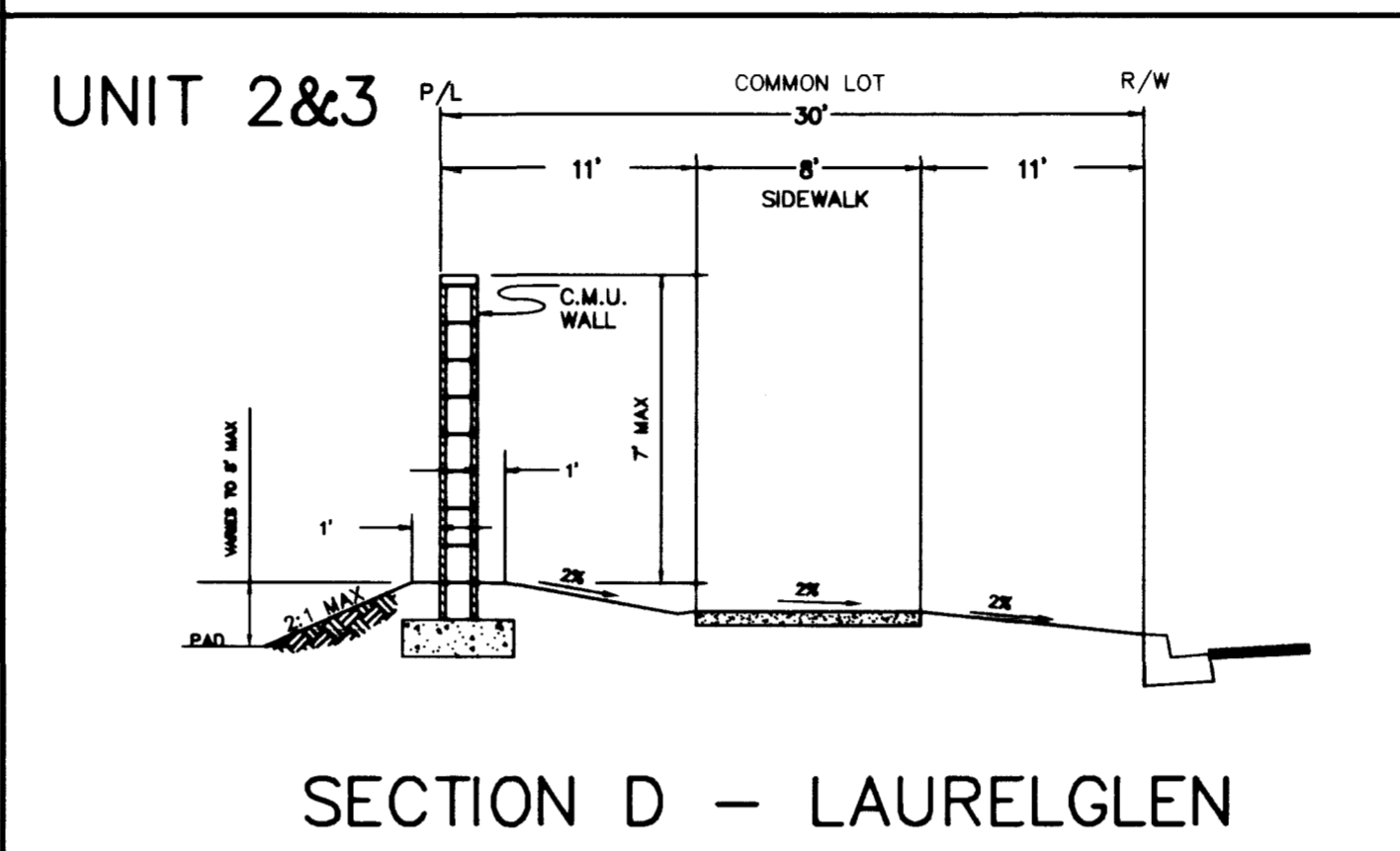
SECTION R - ACACIA TREE



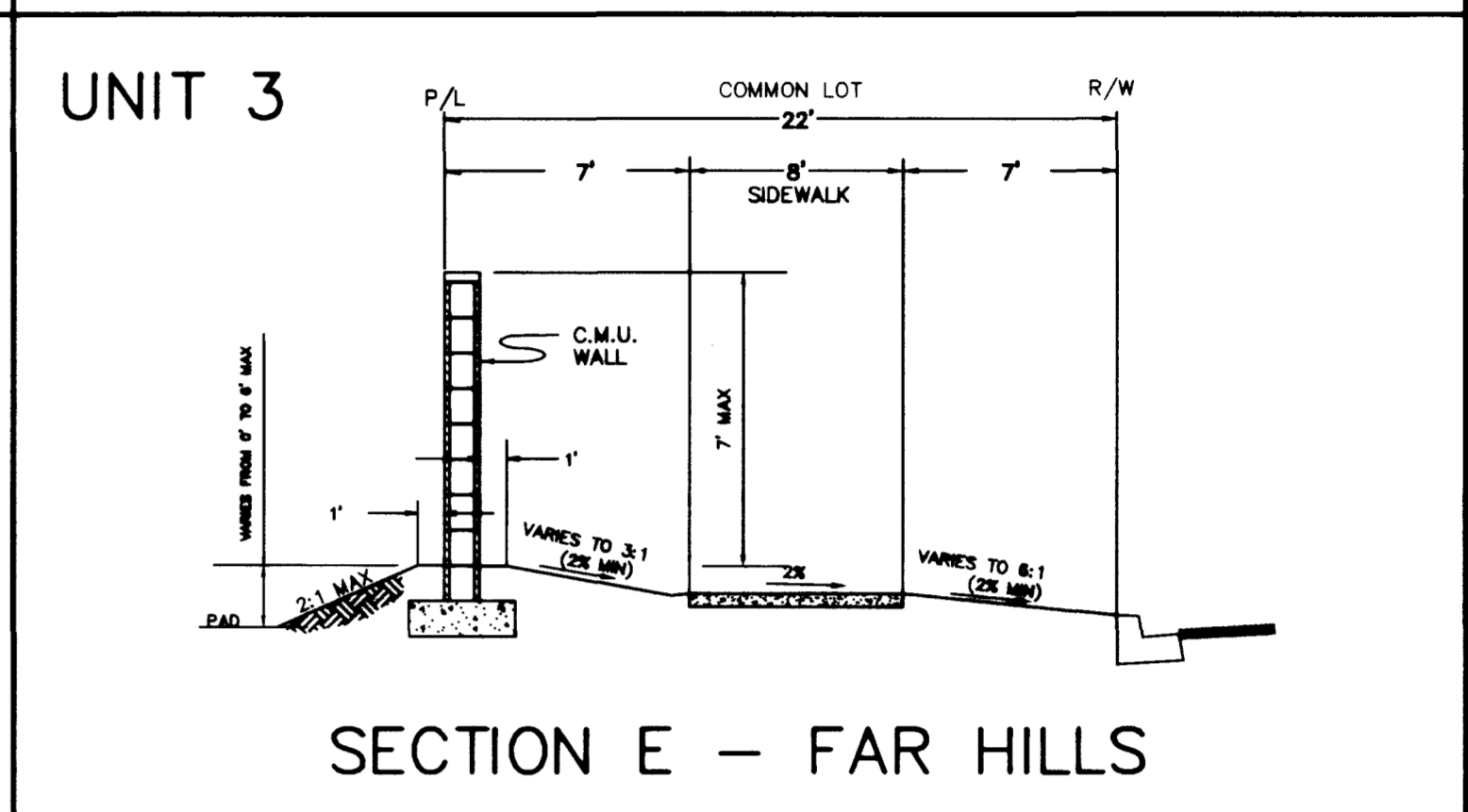
SECTION X - ACACIA TREE



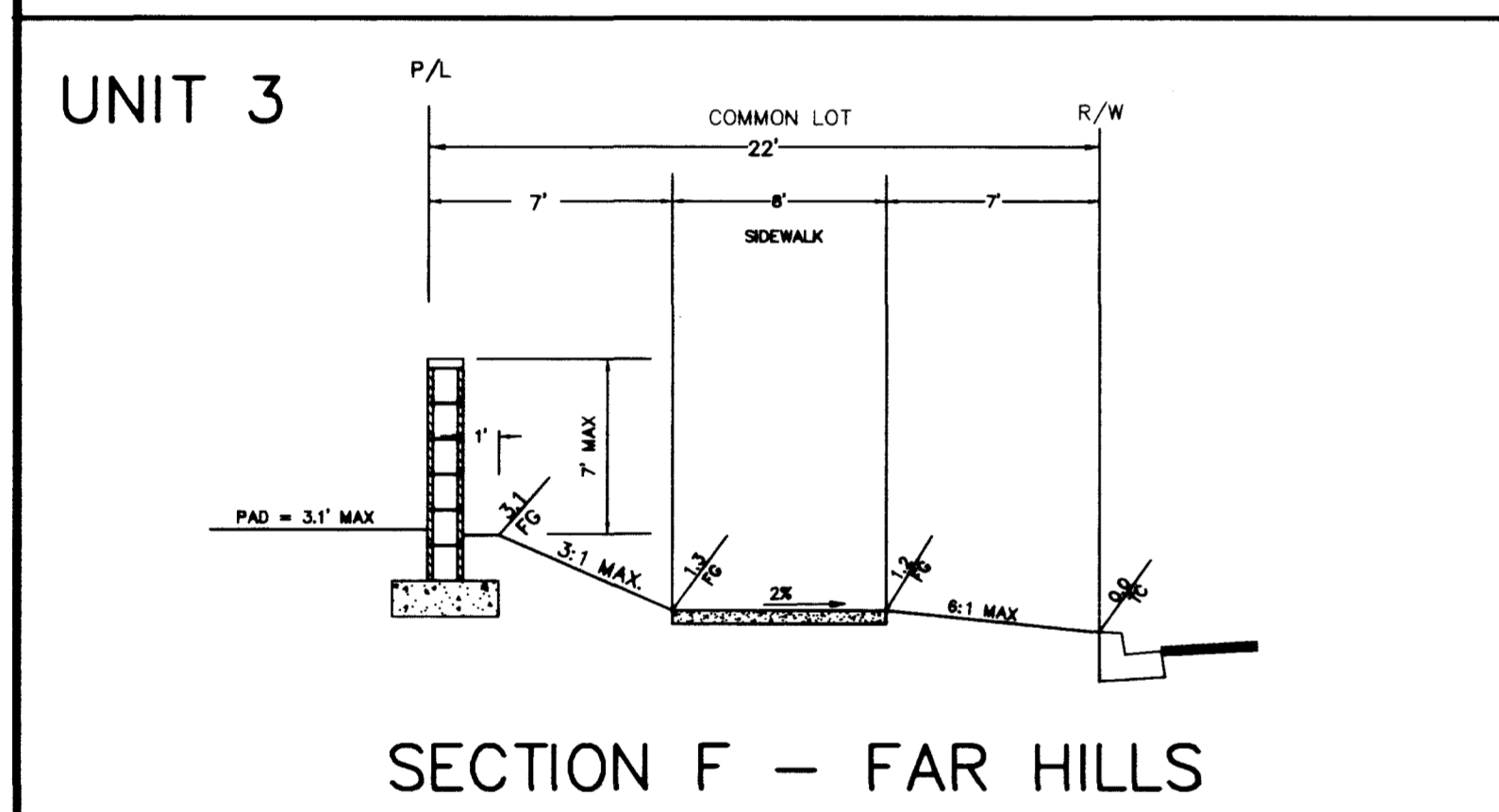
SECTION C - LAURELGLEN



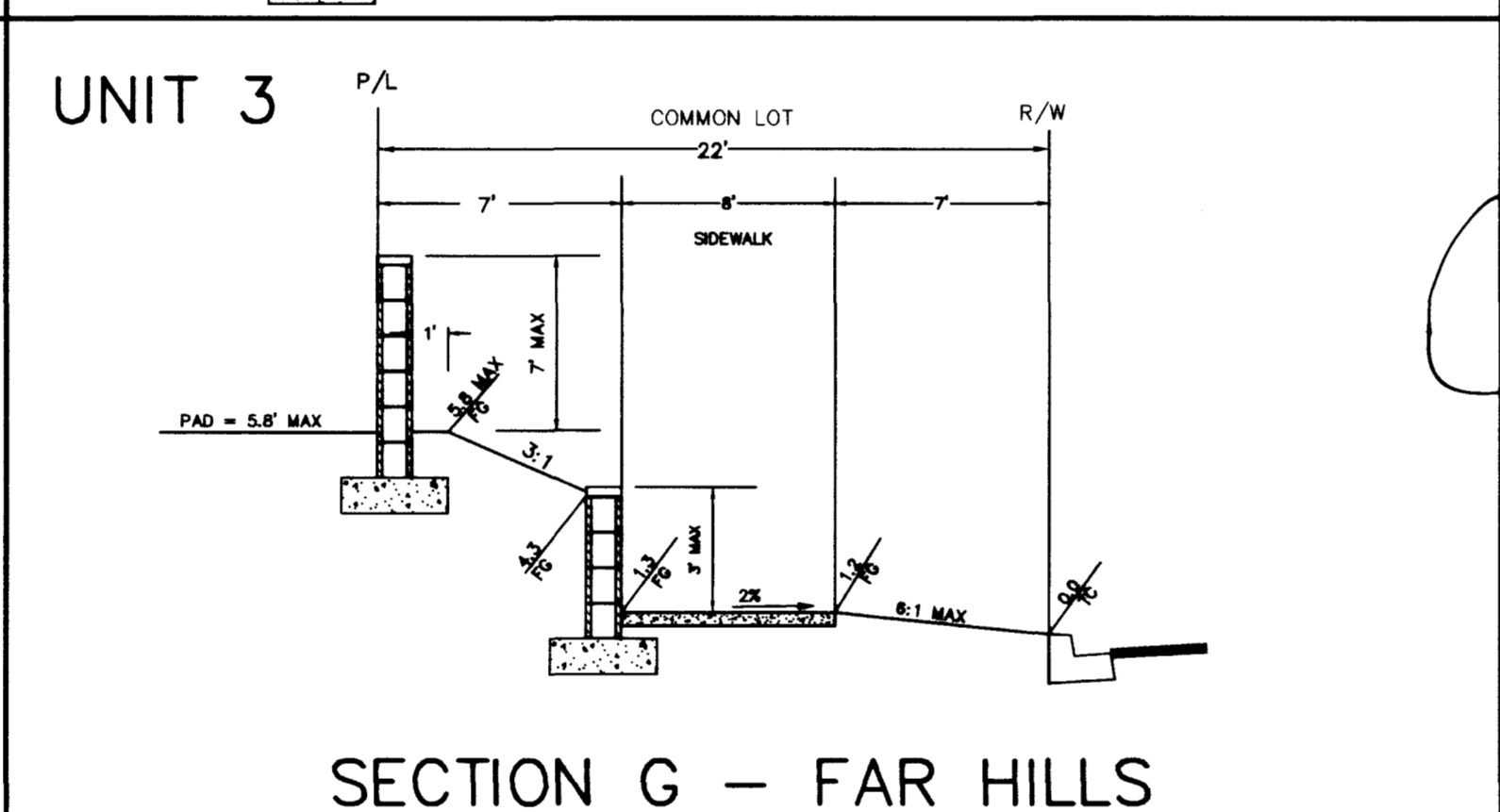
SECTION D - LAURELGLEN



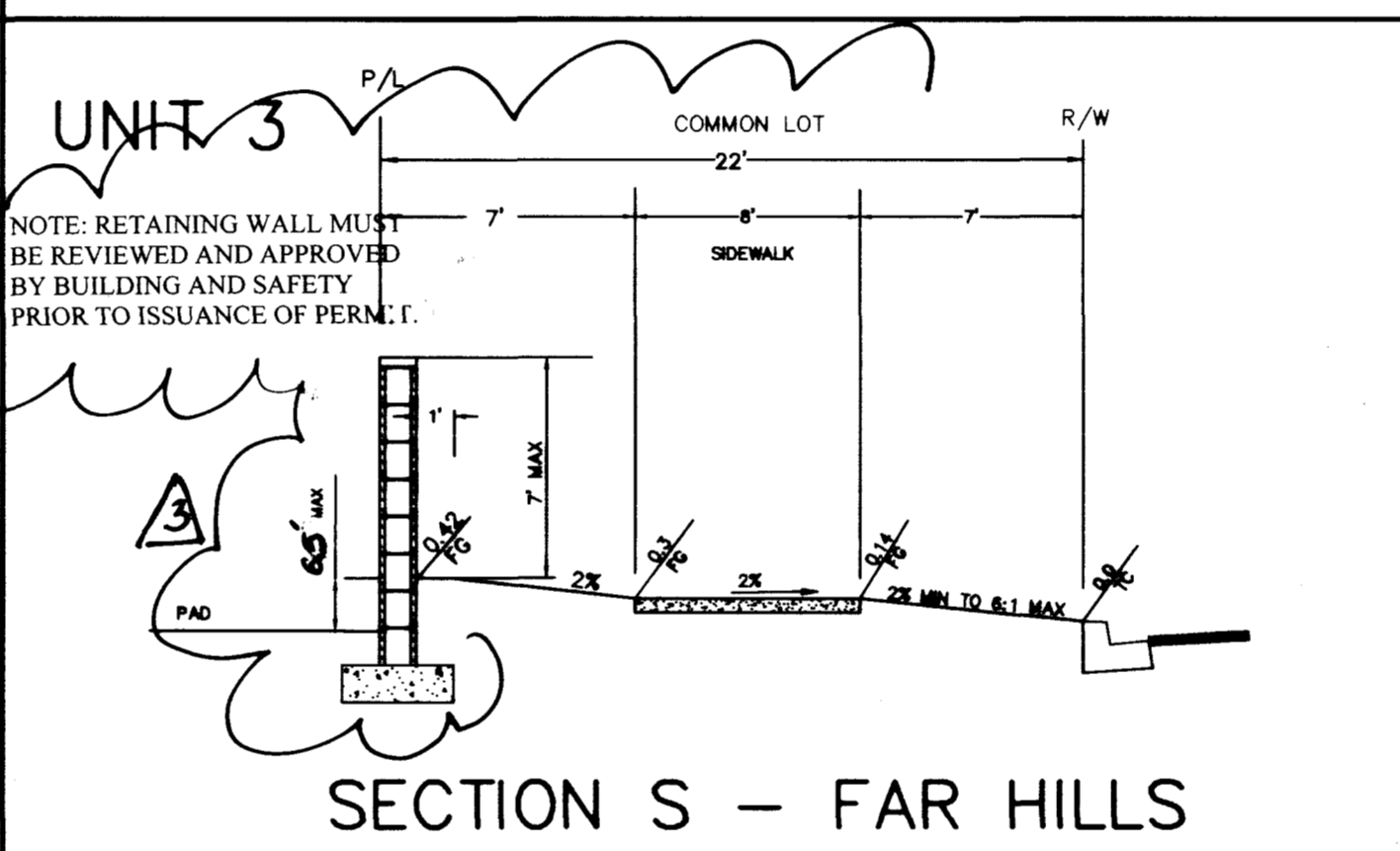
SECTION E - FAR HILLS



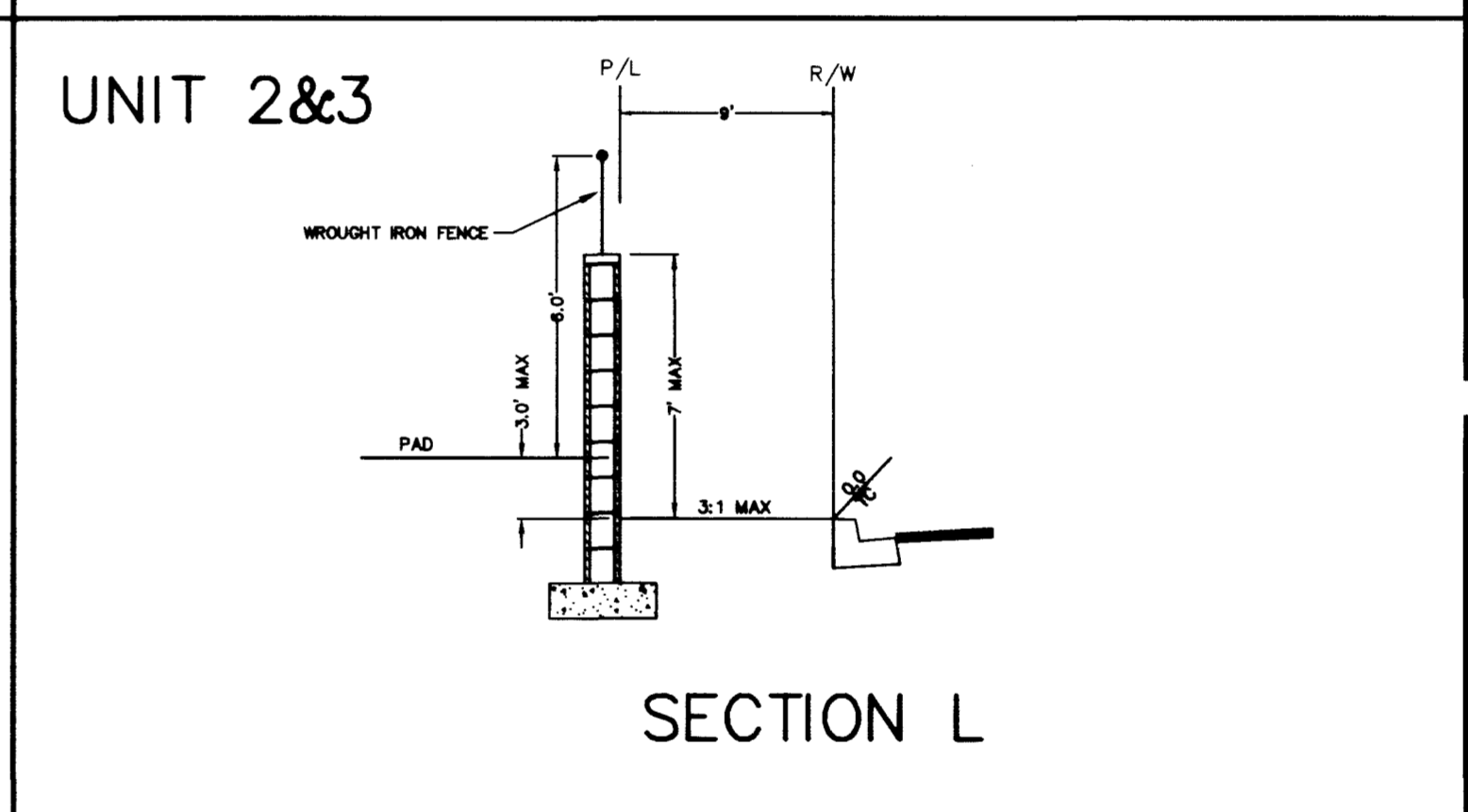
SECTION F - FAR HILLS



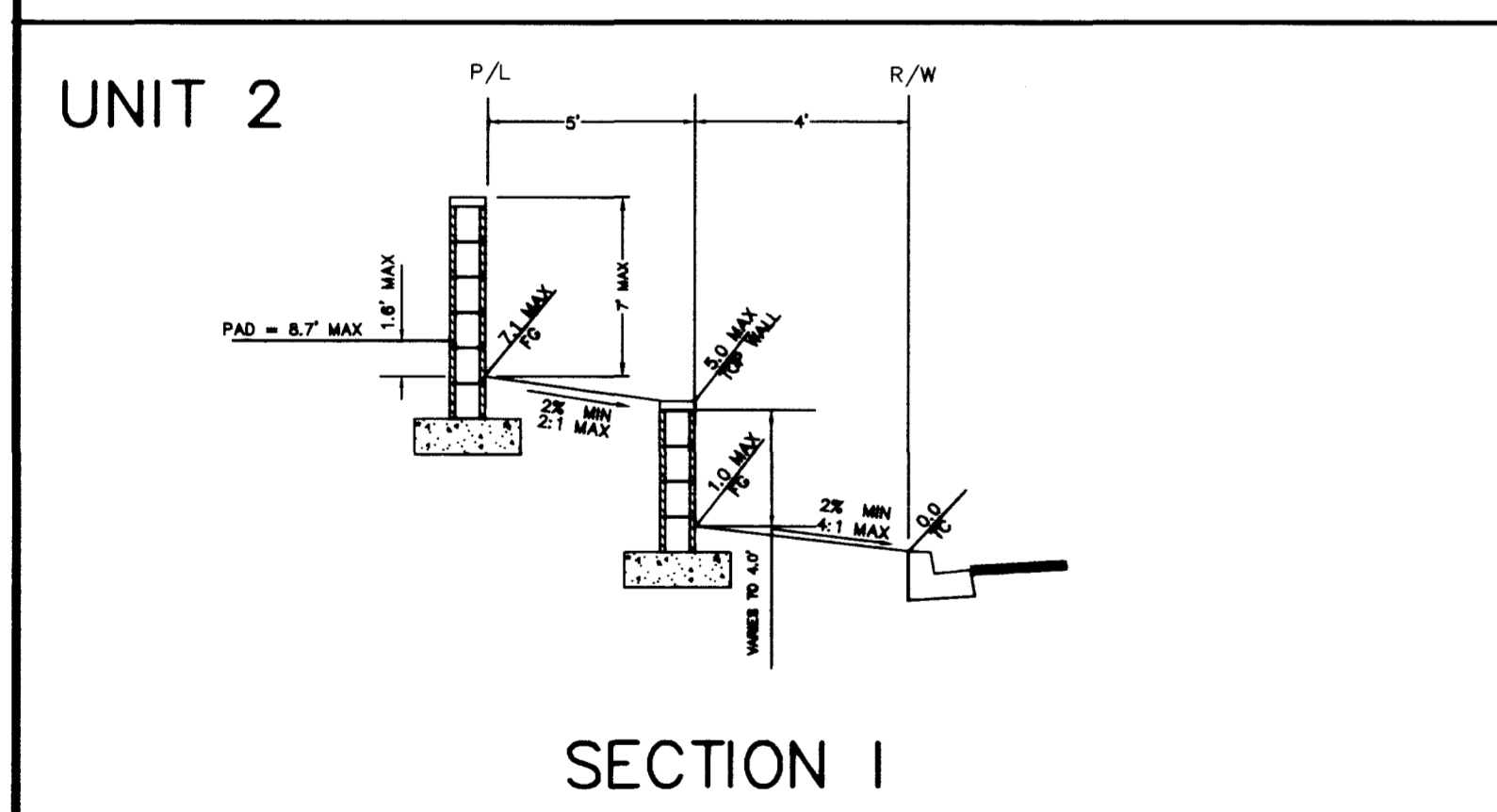
SECTION G - FAR HILLS



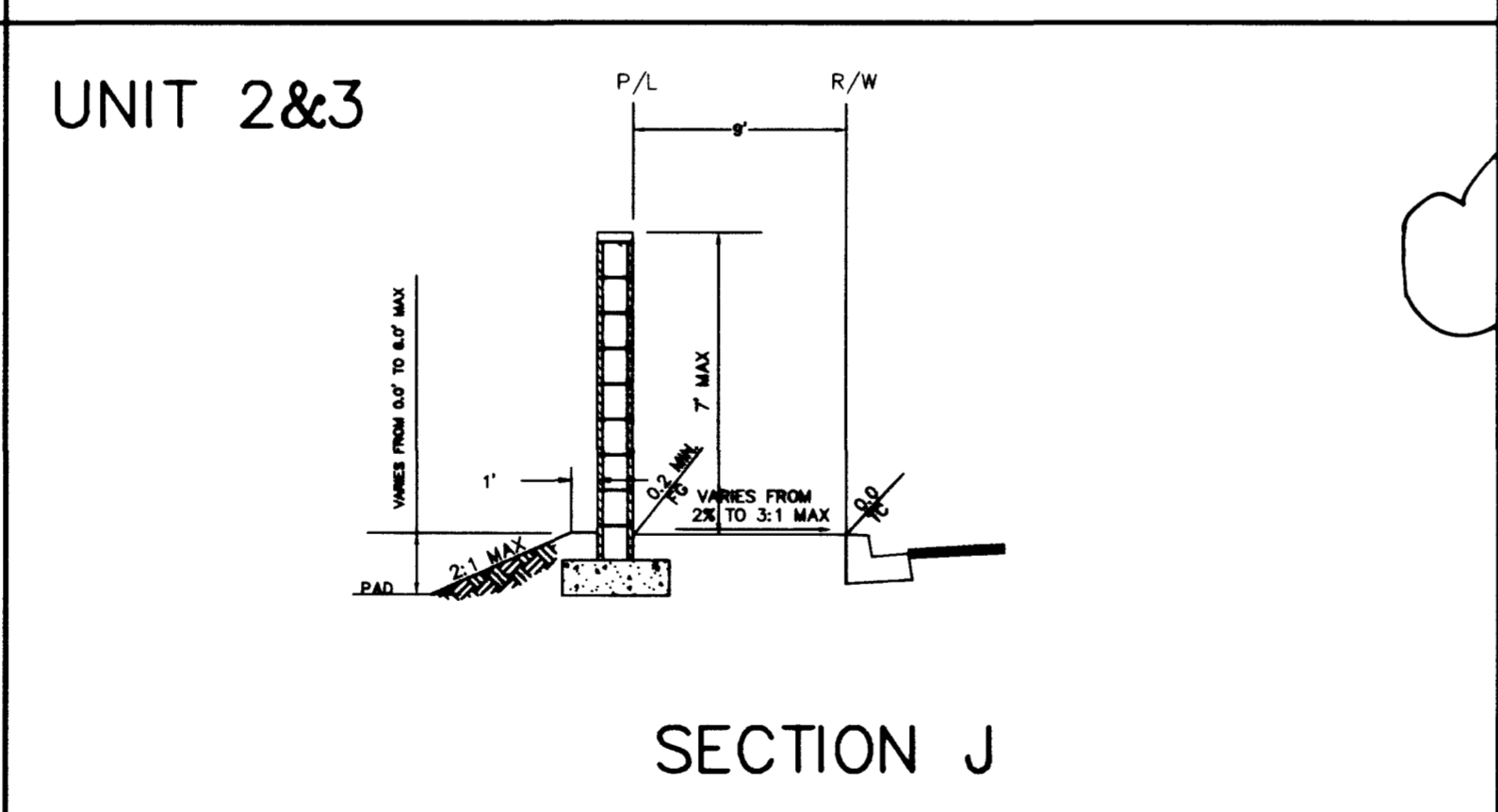
SECTION S - FAR HILLS



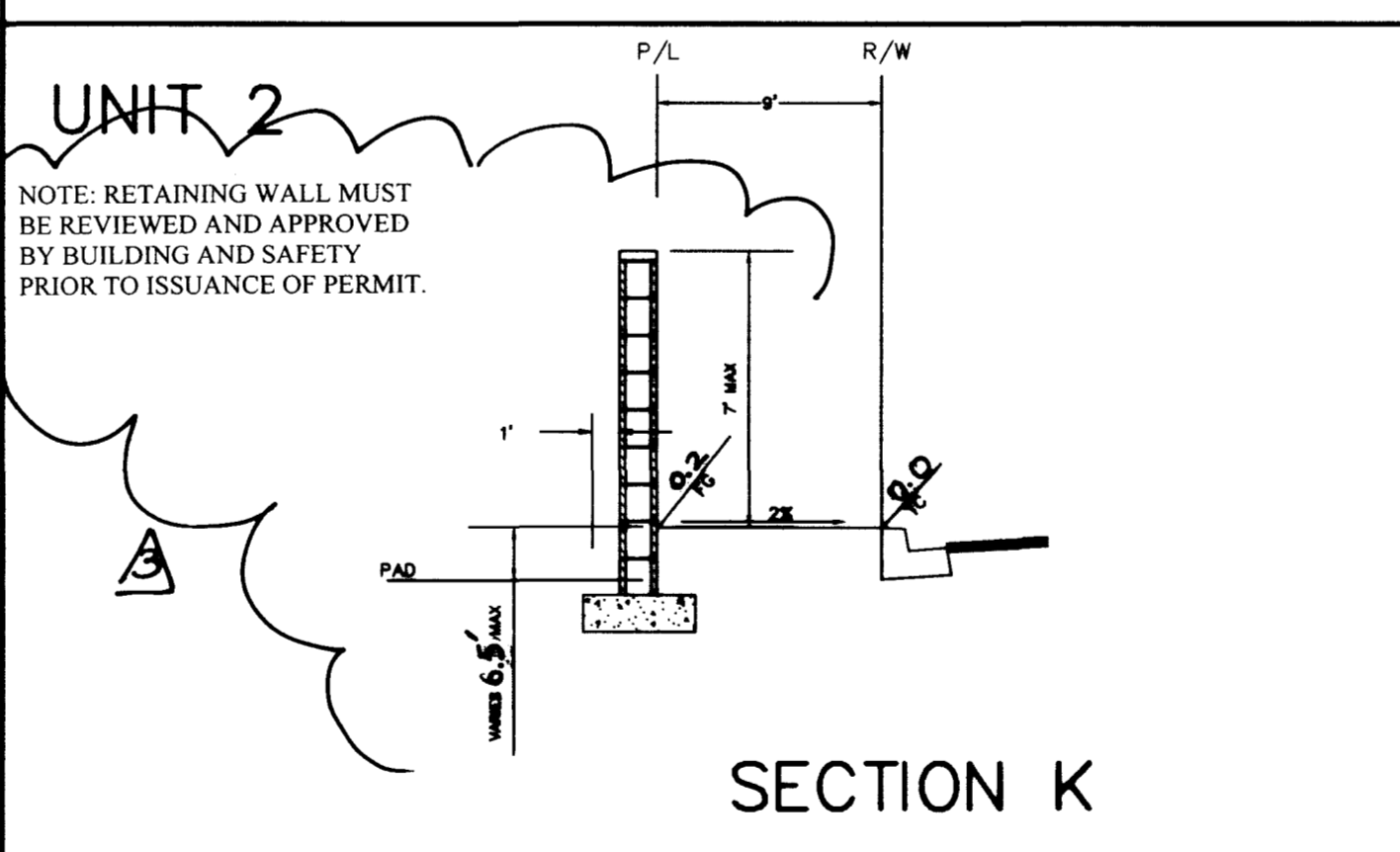
SECTION L



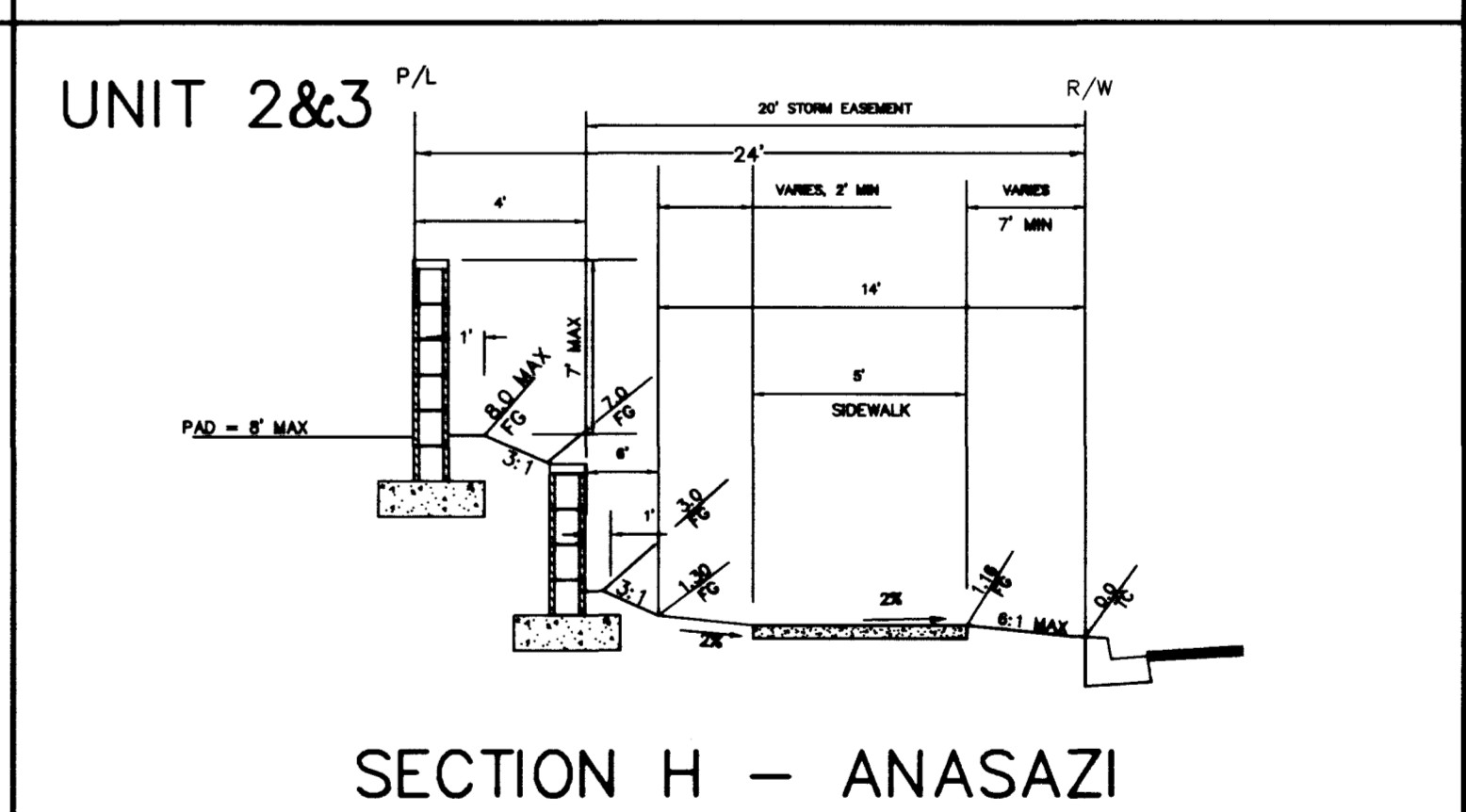
SECTION I



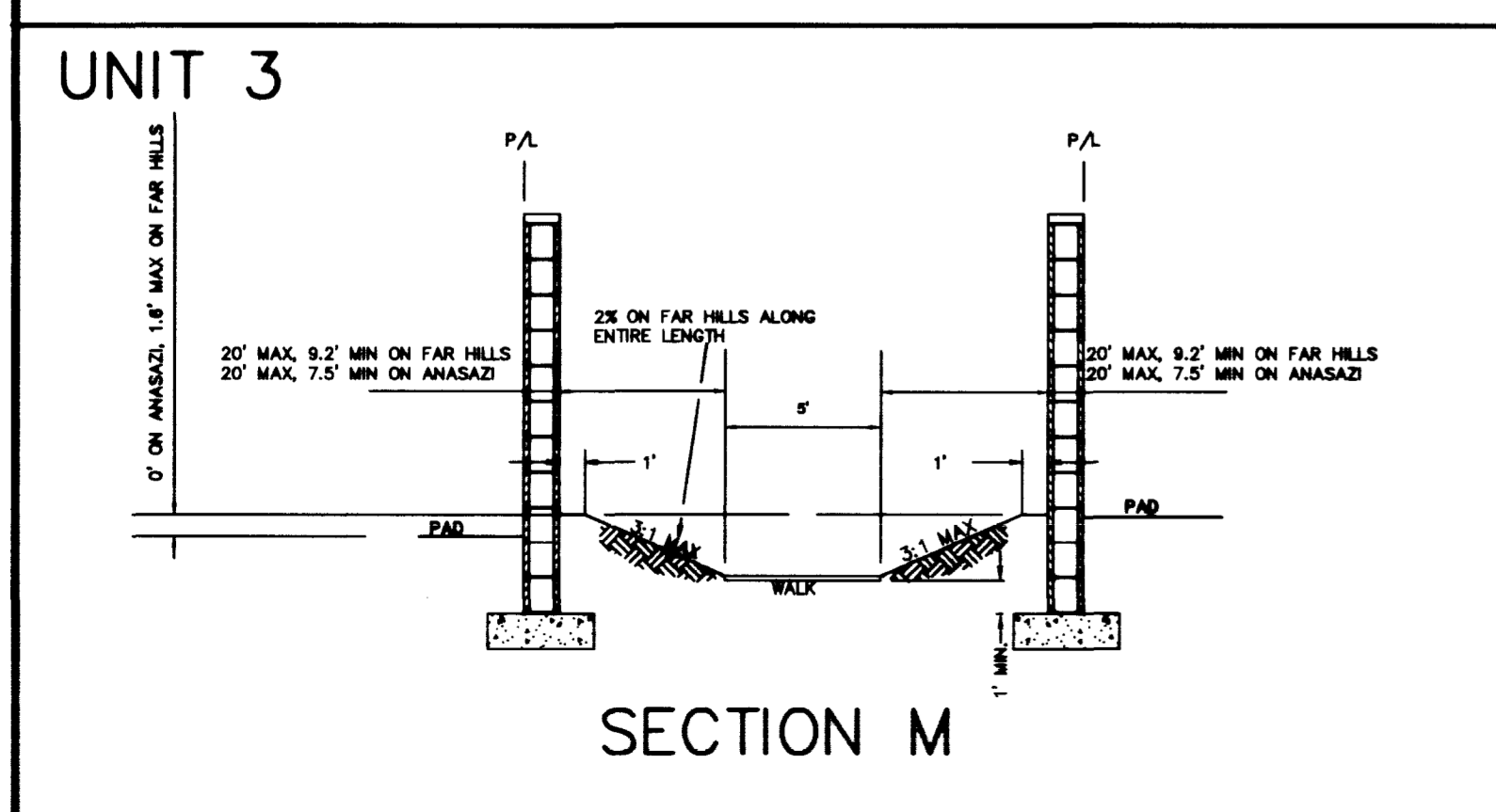
SECTION J



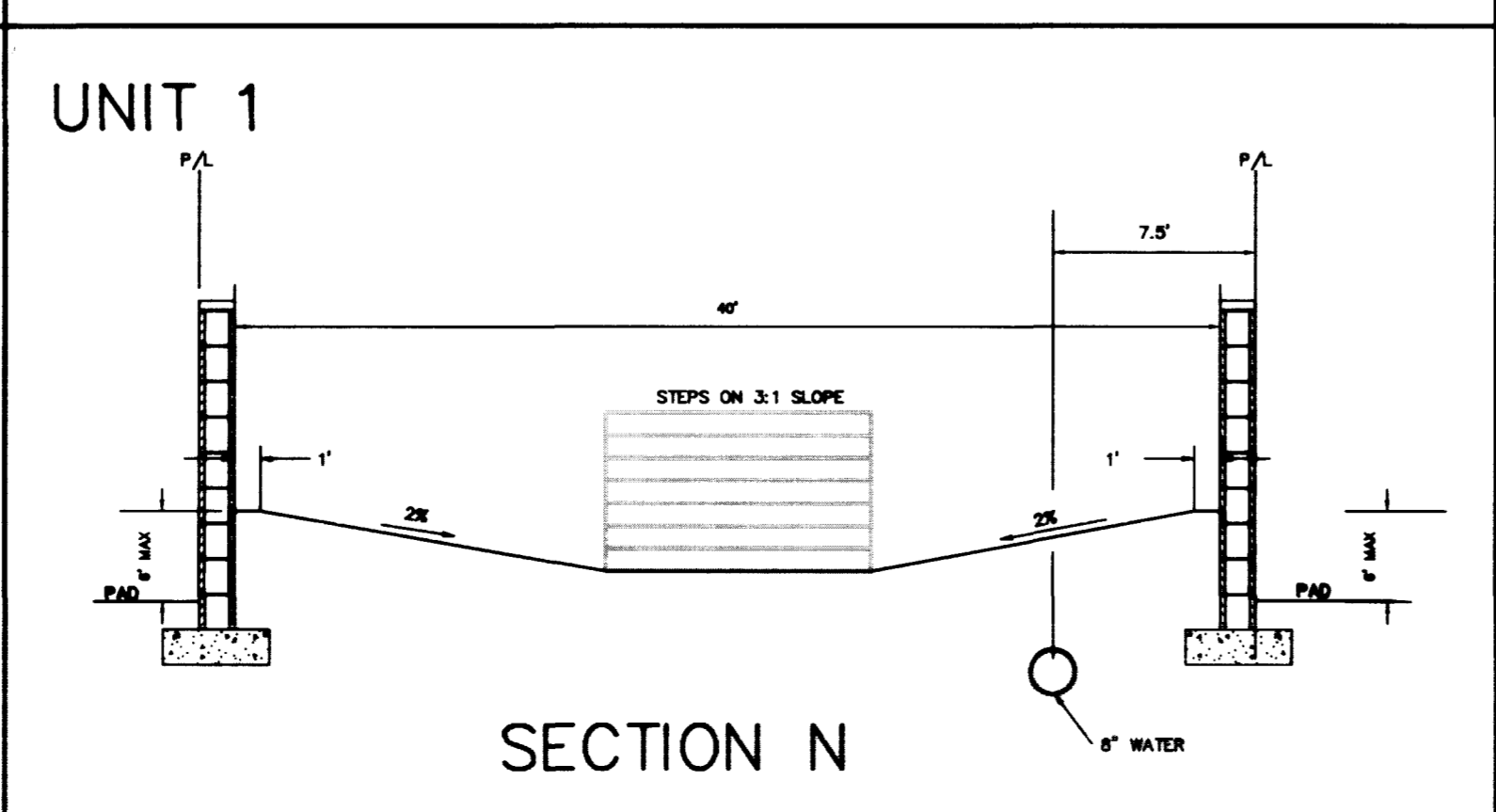
SECTION K



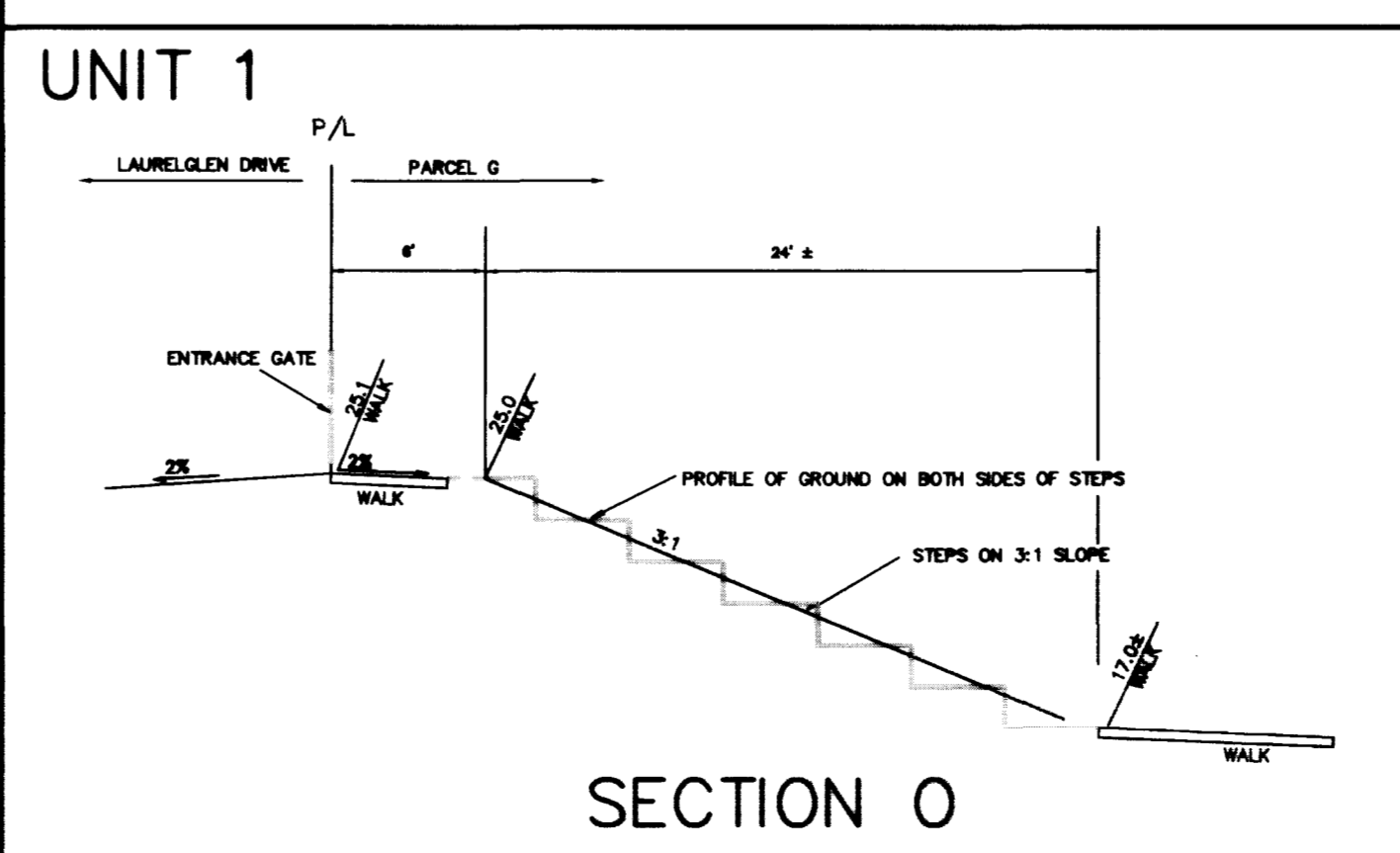
SECTION H - ANASAZI



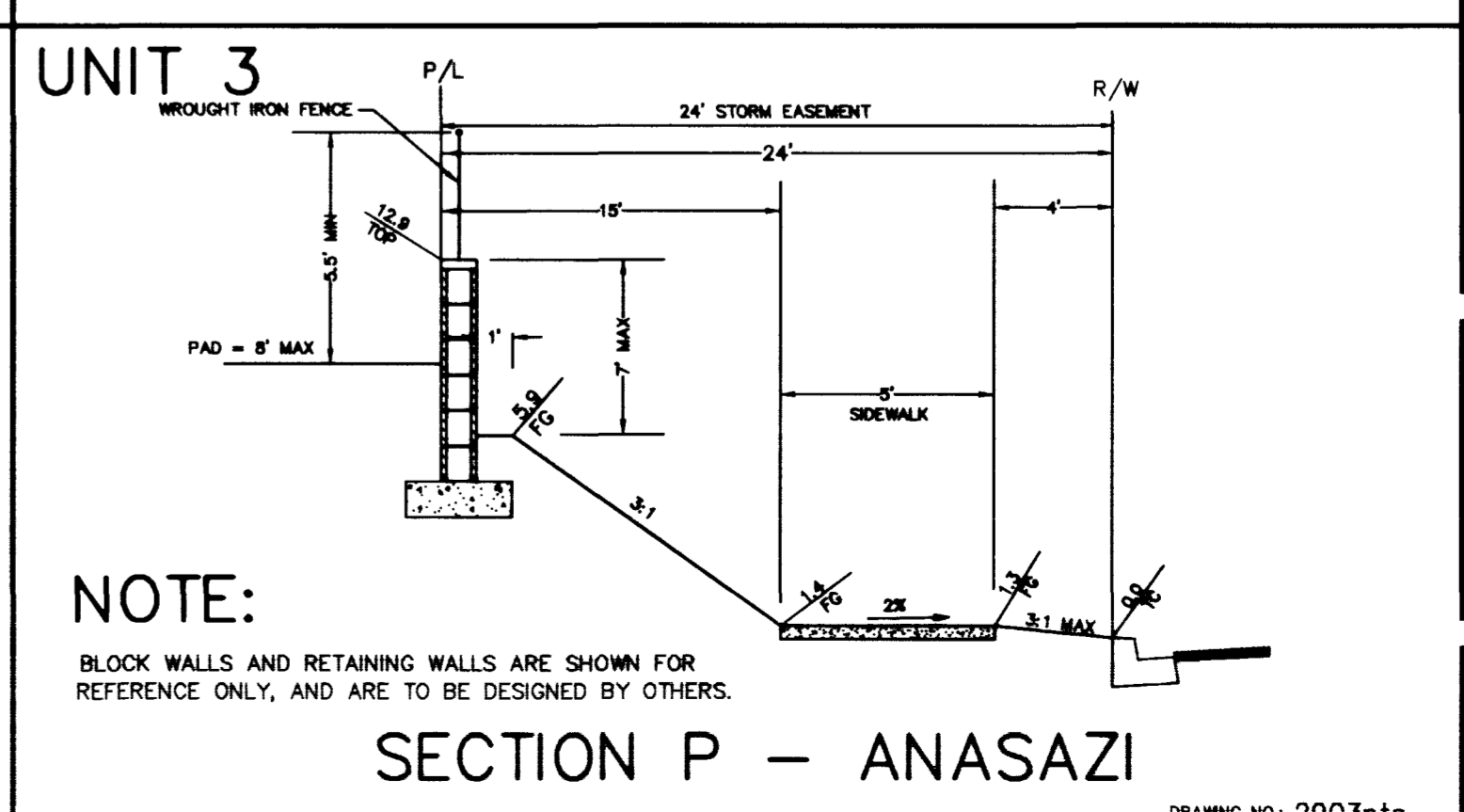
SECTION M



SECTION N



SECTION O



SECTION P - ANASAZI

APPROVED BY	
DATE	8/7/21
REVISION	1/21 AS 15-21-21
	ADDED NOTE AND DRAINED RETAINING ELEVATION

SUBMITTED BY:

ALPHA & ENGINEERING COMPANY

ROYAL WOODS - UNIT 1
DETAIL SHEET
PRESLEY HOMES

JOB NO:	712903
NAME:	HAIXIN LI
DATE:	11.24.97
SCALE:	NO SCALE

PAGE: **D1**
 10 of 11

