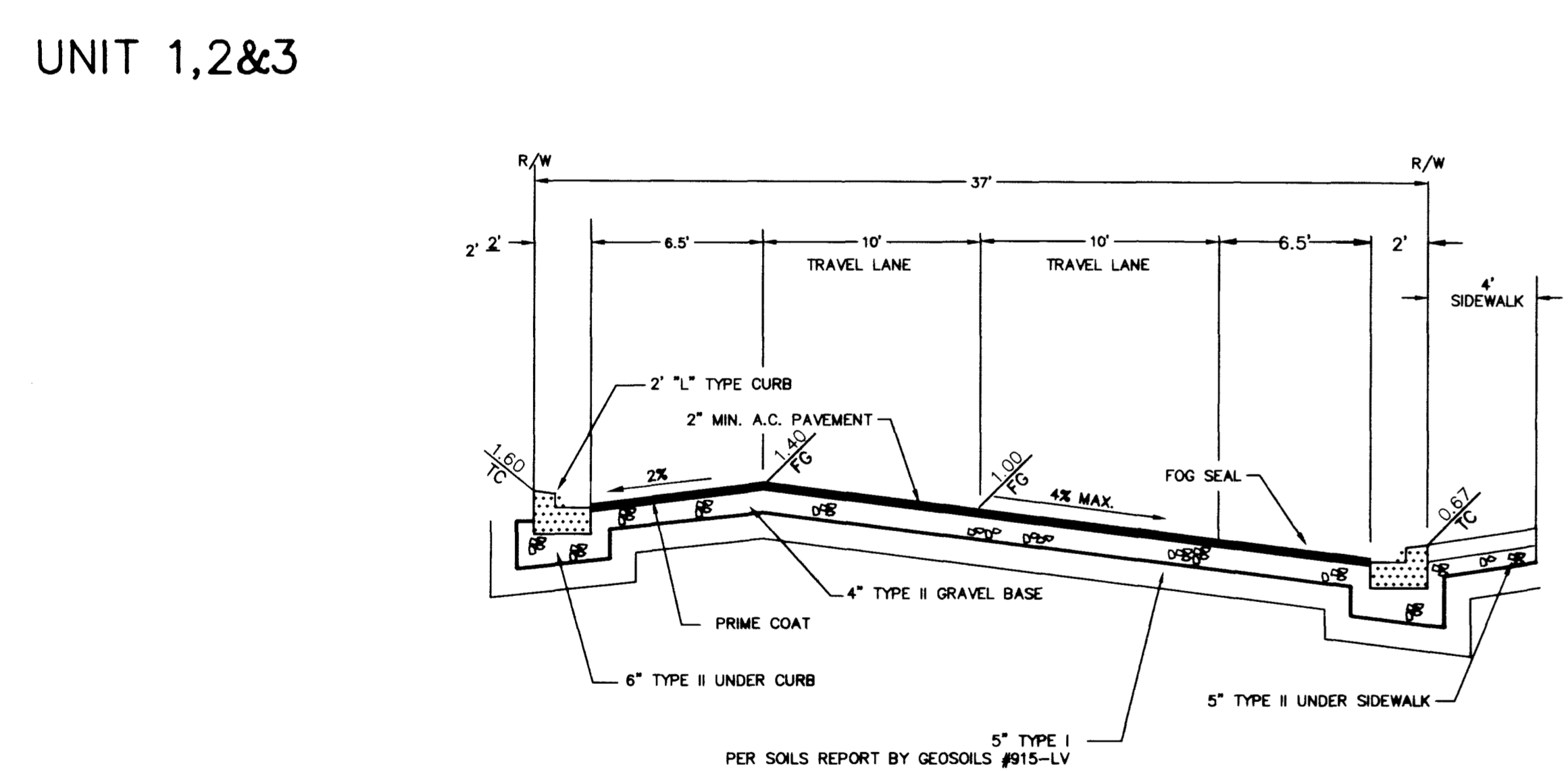
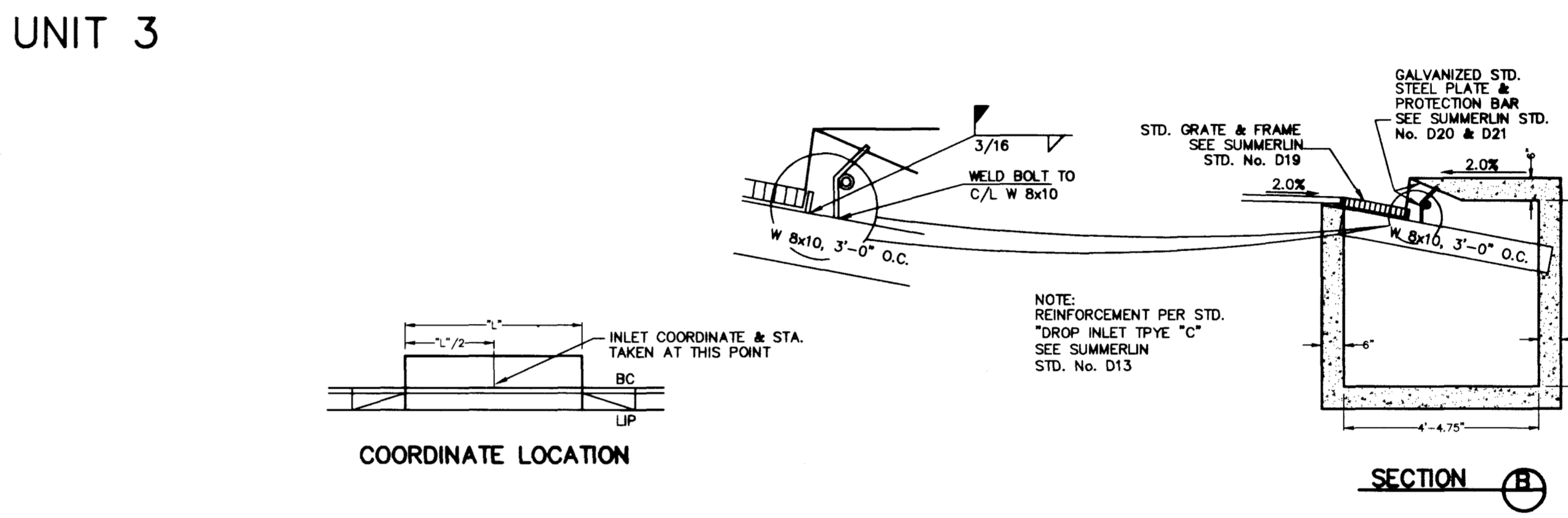
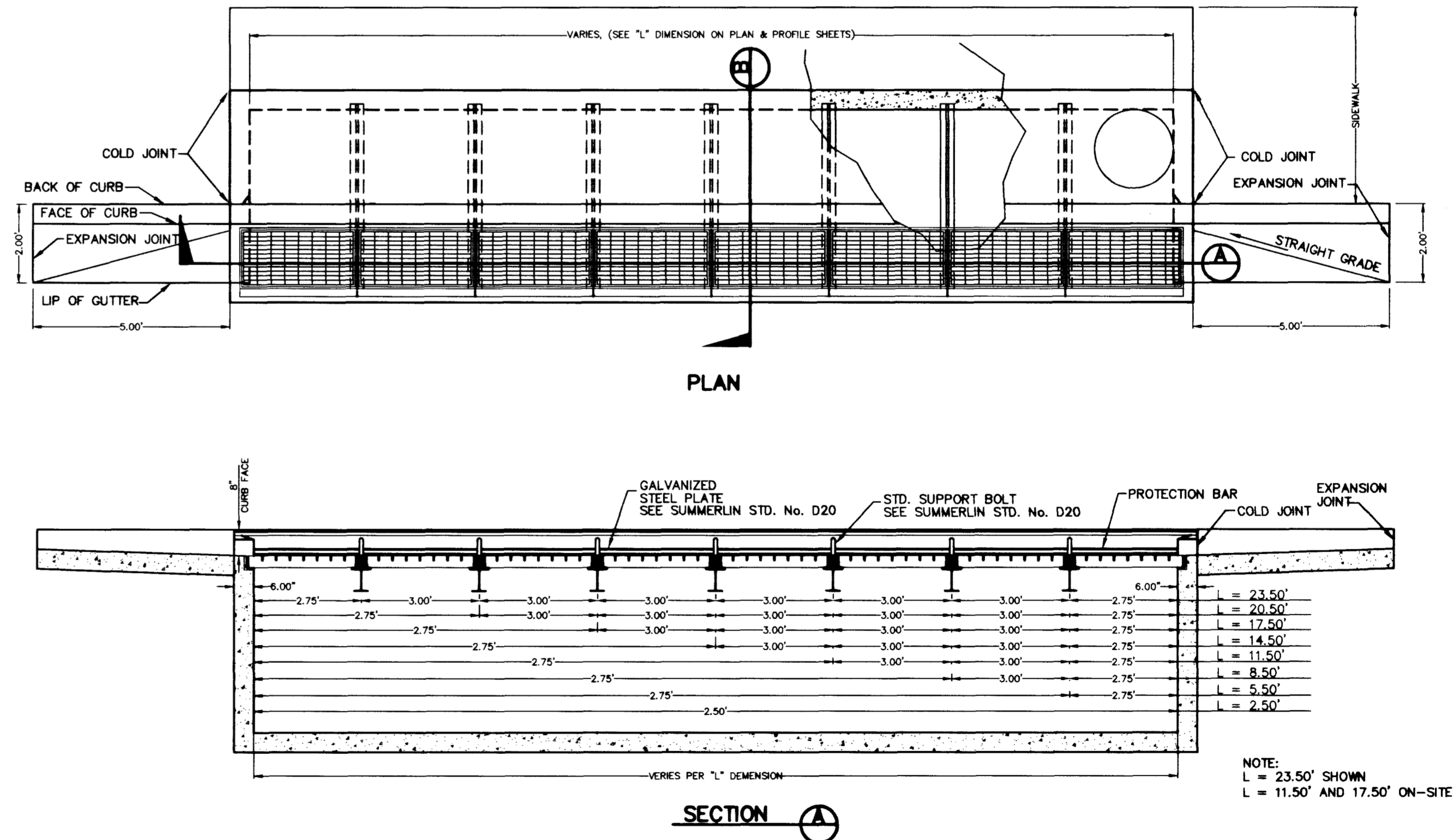


NOTE:
BLOCK WALLS AND RETAINING WALLS ARE SHOWN FOR REFERENCE ONLY, AND ARE TO BE DESIGNED BY OTHERS.



- STREET SECTION NOTES:
- SEE APPROPRIATE VILLAGE DESIGN CRITERIA FOR LANDSCAPE TREATMENT AND WIDTH.
 - SEE GENERAL NOTES ON STD. DWG. 5-1 OF THIS SECTION.
 - SEE STD. DWG. U-5 FOR LOCATION OF UTILITIES.
 - SIDEWALK OF WALKWAY MAY MEANDER PROVIDED THAT A 3' MINIMUM SEPARATION IS MAINTAINED BETWEEN THE WALKWAY OR SIDEWALK AND THE CURB.
 - STREET LIGHTS SHALL NOT ENCR OACH INTO SIDEWALKS OR WALKWAYS.
 - PUBLIC SIDEWALK EASEMENTS SHALL BE PROVIDED ON THE APPROPRIATE SIDE OF THOSE PUBLIC STREETS WHERE SIDEWALKS ARE TO BE BUILT AND THAT GARAGE DOOR SETBACKS ARE TO BE MEASURED FROM THE RIGHT - OF - WAY LINE OR THE HOUSE SIDE OF THE SIDEWALK, WHICHEVER IS THE SHORTEST DISTANCE.
 - FINAL APPROVAL OF THE INDICATED STREET SECTION IS PENDING FINAL REVIEW AND ACCEPTANCE OF THE GEOSOLS SOILS STUDY (# 915-LV) BY THE CITY OF LAS VEGAS.

SECTION T - INTERIOR STREET (TYP.)
PER SUMMERLIN STD. DWG. No. 5-15 (MODIFIED)



MODIFIED TYPE 'C' DROP INLET

REVISIONS:

NO.	DATE	DESCRIPTION
1	8/7/97	REVISED NEW STREET MARKS
2	9/21/97	REVISED NOTE AND REVISED RETAINING ELEVATION

APPROVED BY: [Signature]

DATE: 8/7/97

REVISION: 1

PROJECT: ROYAL WOODS - UNIT 1

ENGINEER: EDWARD TANG

COMPANY: ALPHA & ENGINEERING COMPANY

ROYAL WOODS - UNIT 1

DETAIL SHEET

PRESLEY HOMES

JOB NO: 712903

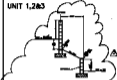
NAME: HAI XIN LI

DATE: 11.24.97

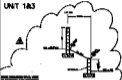
SCALE: NO SCALE

PAGE: D2

OF: 11



SECTION U



SECTION V

UNIT 1



SECTION W - PRIMARY ENTRY 54' ROW



SECTION Y

NOTE:

SEE SHEET FOR OTHER DETAIL OF THIS UNIT.
 SECTION Y-1 TO Y-3 IS SHOWN ON SHEET.

UNIT 3



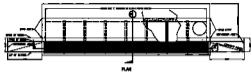
UNIT 1,2&3



- NOTE: SEE SHEET FOR OTHER DETAIL OF THIS UNIT.
 SECTION T-1 TO T-3 IS SHOWN ON SHEET.
1. SEE SHEET FOR OTHER DETAIL OF THIS UNIT.
 2. SEE SHEET FOR OTHER DETAIL OF THIS UNIT.
 3. SEE SHEET FOR OTHER DETAIL OF THIS UNIT.
 4. SEE SHEET FOR OTHER DETAIL OF THIS UNIT.
 5. SEE SHEET FOR OTHER DETAIL OF THIS UNIT.
 6. SEE SHEET FOR OTHER DETAIL OF THIS UNIT.
 7. SEE SHEET FOR OTHER DETAIL OF THIS UNIT.
 8. SEE SHEET FOR OTHER DETAIL OF THIS UNIT.
 9. SEE SHEET FOR OTHER DETAIL OF THIS UNIT.
 10. SEE SHEET FOR OTHER DETAIL OF THIS UNIT.

SECTION T - INTERIOR STREET (TYP.)

SEE SHEET FOR OTHER DETAIL OF THIS UNIT.



MODIFIED TYPE 'C' DROP INLET



ALPHA
 Ω
 OMEGA
 CONSTRUCTION
 COMPANY
 1077-4538-1

ROYAL WOODS - UNIT 1
 DETAIL SHEET
 PRESLEY HOMES

DATE: 10/10/00
 DRAWN BY: TUNNEY
 CHECKED BY: BEE
 1077-4538-1

D2

1077-4538-1