

STA: 13+92.38 MATCH LINE. SEE BELOW LEFT

A.P.N.
163-04-701-001

BASIS OF BEARING
THE NORTH LINE OF THE NORTHWEST QUARTER (NW 1/4) OF THE SOUTHEAST QUARTER (SE 1/4) OF SECTION 4, TOWNSHIP 21 SOUTH, RANGE 60 EAST, M.D.M., CITY OF LAS VEGAS, CLARK COUNTY, NEVADA; AS SHOWN ON THE PLAT IN BOOK 45, OF PLATS, PAGE 75, OFFICIAL RECORDS OF CLARK COUNTY, NEVADA. WHICH BEARS: SOUTH 89°23'00" EAST

BENCHMARK
CITY OF LAS VEGAS BENCH MARK NO. 0LV10-4E4
RIVET AND PLATE IN TOP OF CURB @ NW CORNER OF BUFFALO DRIVE AND OAKY BLVD.
ELEVATION 2531.57 FEET, NAVD 1988 DATUM

SEWER CONSTRUCTION NOTES

- CONSTRUCT SANITARY SEWER CLEANOUT PER DETAIL THIS SHEET
- CONNECT TO EXISTING SANITARY SEWER PER DESIGN AND CONSTRUCTION STANDARDS FOR WASTE WATER COLLECTION SYSTEMS DWG. NO. 50-17.
- REFERENCE PLUMBING DRAWINGS FOR CONTINUATION.

WATER CONSTRUCTION NOTES

- INSTALL 1 1/2" WATER SERVICE AND METER PER UDACS PLATE NO. 1D.
- INSTALL 2"-22.5" BEND
- REFERENCE PLUMBING DRAWINGS FOR CONTINUATION
- INSTALL 2" x 2" x 2" TEE
- INSTALL 1 1/2" x 2" INCREASER
- INSTALL 8"x6" TAPPING SLEEVE W/ VALVE PER UDACS PLATE NO. 22
- INSTALL FIRE HYDRANT PER UDACS PLATE NO. 7.
- INSTALL 8" x 1 1/2" SADDLE W/ 1 1/2" CORP PER UDACS NO. 1D
- INSTALL 10"x8" REDUCER PER UDACS PLATE NO. 3.
- INSTALL 8" TAPPING VALVE PER UDACS PLATE NO. 8.
- INSTALL 8"x8" MECHANICAL JOINT SLEEVE W/ 8" TAPPING VALVE PER UDACS PLATE NO. 22.

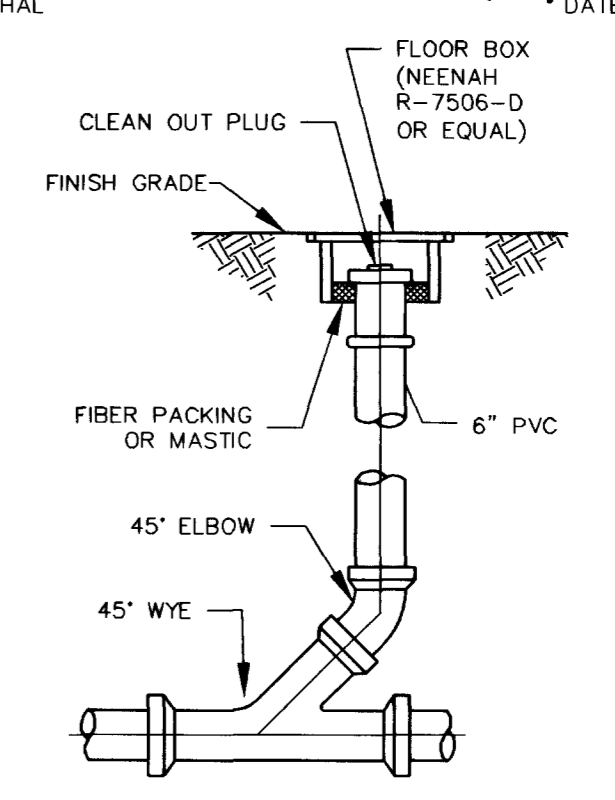
FIRE FLOW REQUIREMENTS

FIRE FLOW REQUIREMENT IS 3000 GALLONS PER MINUTE AT 20 POUNDS SQUARE INCH RESIDUAL PRESSURE.

BASED ON:
LARGEST SQUARE FOOTAGE: 13000 SQ.FT.
LARGEST AREA BETWEEN 4-HOUR AREA SEPARATION WALLS: 13000 SQ.FT.

BUILDING HEIGHT: 34 FEET
NUMBER OF STORIES: 2 FLOORS
TYPE OF CONSTRUCTION: (VN)
OCCUPANCY: SINGLE FAMILY
FULL AUTOMATIC FIRE SPRINKLER SYSTEM: NO

[Signature]
CITY FIRE MARSHAL
7/24/03
DATE



SEWER CLEAN OUT
NOT TO SCALE

CALL BEFORE YOU OVERHEAD
1-702-593-6111
NEVADA POWER ENVIRONMENT AND SAFETY SERVICES DEPARTMENT

NOTICE!
EXISTING UTILITIES ARE SHOWN ON PLANS FOR THE CONVENIENCE OF THE CONTRACTOR ONLY. THE CONTRACTOR IS RESPONSIBLE FOR THE PROTECTION OF ALL UTILITIES. THE ENGINEER BEARS NO RESPONSIBILITY FOR UTILITIES NOT SHOWN OR SHOWN INCORRECTLY.

CALL BEFORE YOU DIG
1-800-227-2800
UNDERGROUND SERVICE CO.

APPROVED FOR CONSTRUCTION
[Signature]
Date 5/23/03
Las Vegas Valley Water District (SHTS 1,2,5)

208610MPP.DWG

50176 Rgm 53162
STA: 13+92.38 MATCH LINE - SEE ABOVE RIGHT

PINNACLE ARCHITECTURAL STUDIO 8670 W. SPRING MOUNTAIN RD. SUITE 102 LAS VEGAS, NEVADA 89117 (702) 858-5955	ENGINEERING COMPANY 50 So. Jones #202 LAS VEGAS, NEVADA 89107 Telephone: (702) 877-1300
	ALPHA
ZEPHYRENE VILLALUZ RESIDENCE SIE COR. OAKY & CIMARRON	UTILITY PLAN
DRAWN BY: ECN 7/02 DESIGNED BY: ECN 7/02 CHECKED BY: ECN 7/02 PROJECT NO: 208610 SCALE: 1" = 20'	SHEET 5 OF 7 SHEETS DRAWING NO. 107-V-3674