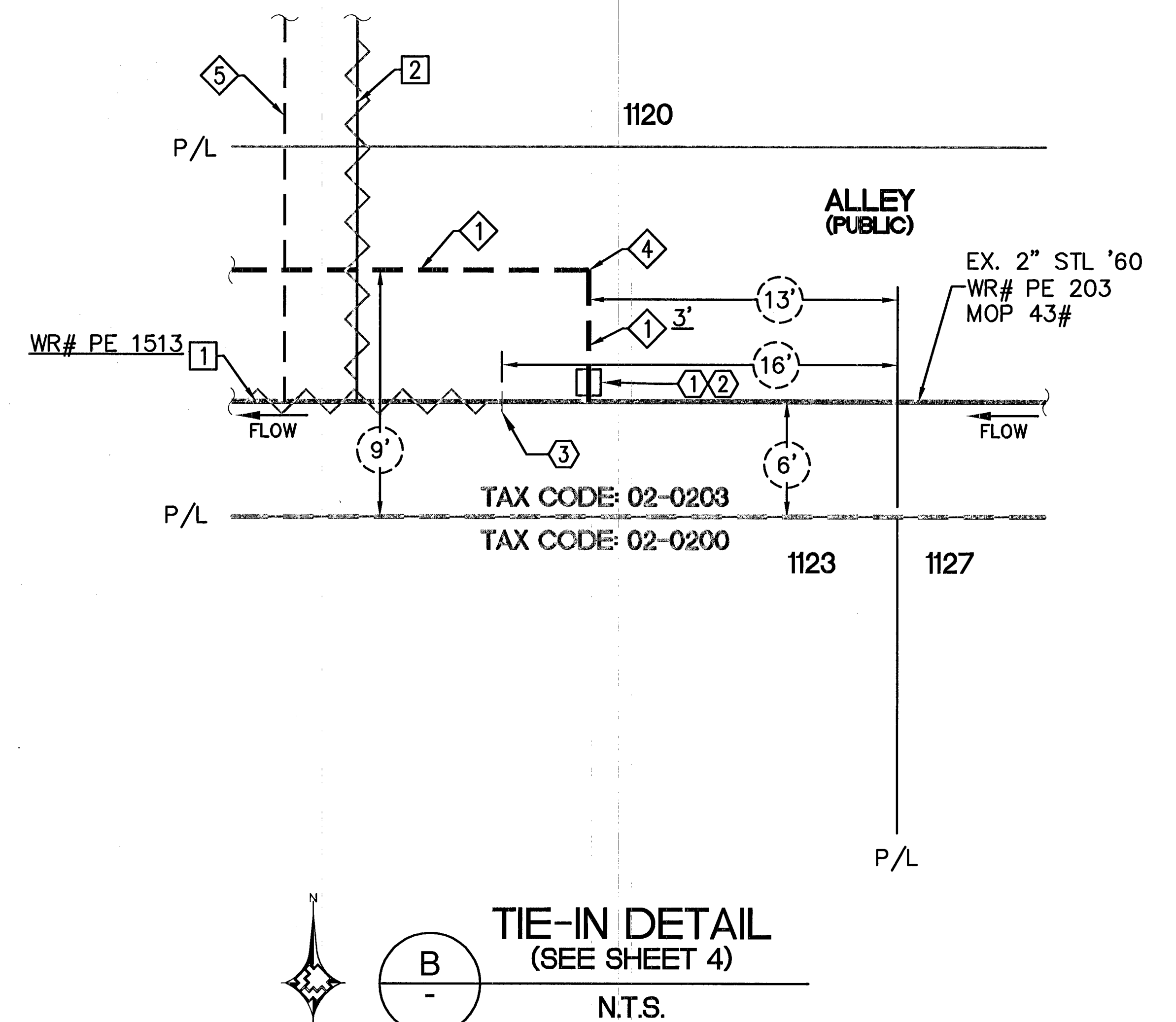
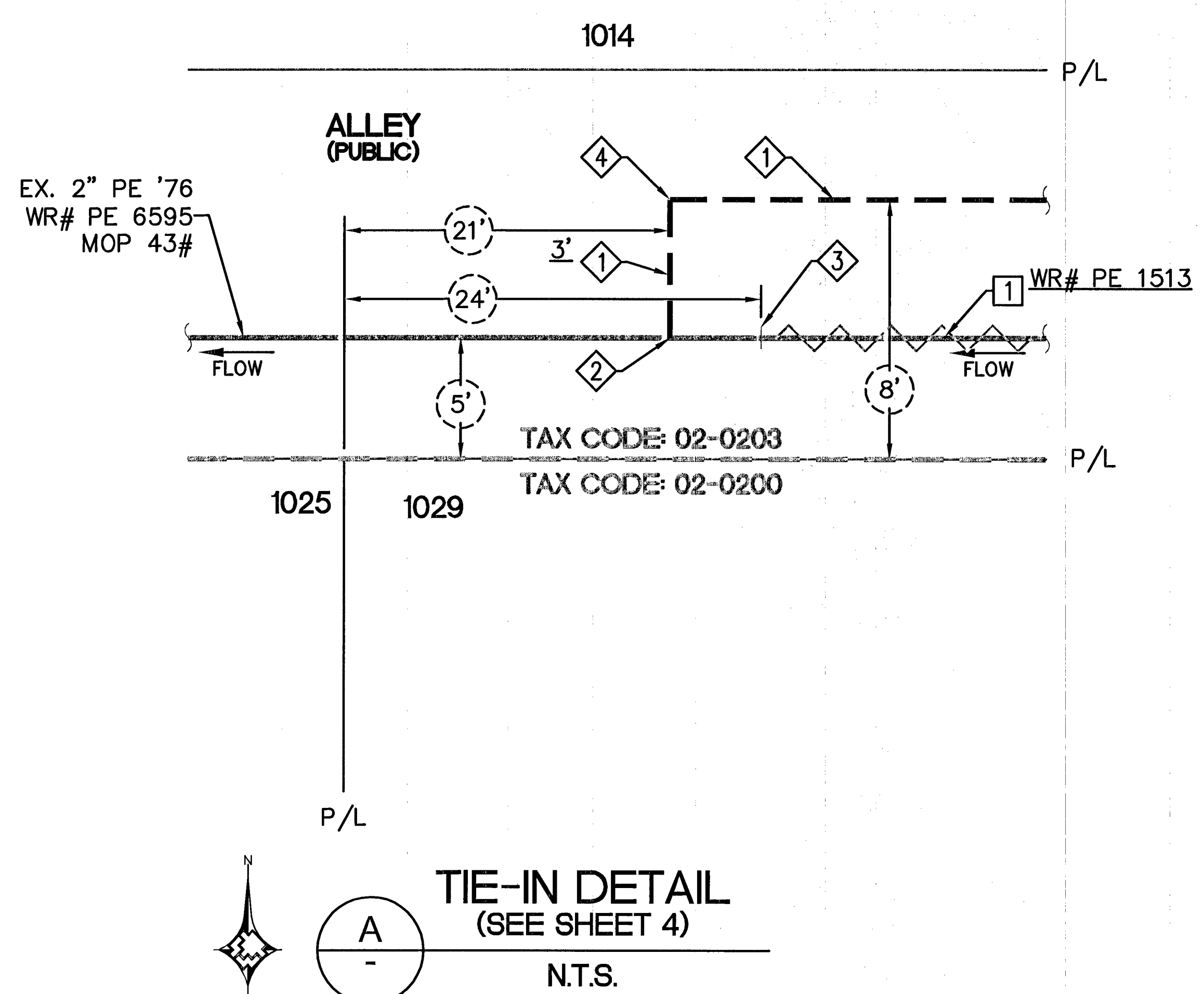


- NOTES:**
1. NO STONES OR LUMPS GREATER THAN 3" PERMITTED IN TRENCH 2' OR LESS IN WIDTH.
 2. TRENCH WIDTH, BEDDING, SUBGRADE AND PIPE ZONE REQUIREMENTS FOR UTILITY INSTALLATIONS SHALL CONFORM TO THE RESPECTIVE ENTITY REQUIREMENTS.
 3. CRUSHED ROCK MAY BE USED FOR PIPE BEDDING ONLY IF MATERIAL USE HAS BEEN SPECIFICALLY APPROVED BY THE GOVERNING AGENCY. SEE STANDARD DRAWING NO. 505 FOR PIPE BEDDING METHODS.
 4. LAS VEGAS VALLEY WATER DISTRICT REQUIRES PIPE BEDDING AND BACKFILL WITHIN THE PIPE ZONE TO BE OF THE SAME MATERIAL.

RTC STD DWG 503

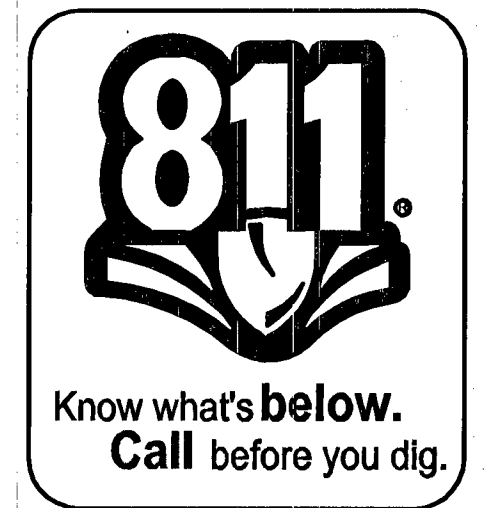


PROPOSED FACILITIES:

- ① PROP. 2" PE MAIN (100-5101)
- ② PROP. 2" HVTT (160-8171)
- ③ PROP. 2" METFIT CAP (140-2882)
- ④ PROP. 2" PE 90° ELBOW (140-3067)
- ⑤ PROP. 1/2" PE SVC
- ① PROP. 2" STL TEE (160-8018)
- ② PROP. 2" TRANSITION FITTING PE STL (160-8162)
- ③ PROP. 2" STL CAP (140-3301)

ABANDONED FACILITIES:

- ① ABANDON EX. 2" PVC '65 MOP 43#
- ② ABANDON EX. 1/2" PVC '60 SVC



NO.	DESCRIPTION	BY	DATE	APPVD
REVISIONS				

TAX CODES	UNIT NO.	UNIT TYPE	INSTL. PROPOSED	RETIRED	INSTL. COMPLETED	RETIRED

AS-BUILT DRAWING-PRESSURE TEST DATA			
PIPE DIA.	TEST MEDIUM	TEST METHOD	
		<input type="checkbox"/> AIR	<input type="checkbox"/> GAUGE
		<input type="checkbox"/> NITROGEN	<input type="checkbox"/> CHART
		<input type="checkbox"/> WATER	<input type="checkbox"/> GAUGE/ PRESS REC SN#
		<input type="checkbox"/> SOAP	
MIN. DURATION	TEST PRES. (PSIG)	START	END

VISUAL INSPECTION CERTIFICATION			
I HAVE VISUALLY INSPECTED ALL HEATED FUSIONS, SOLVENT CEMENT, MECHANICAL JOINTS, AND WELDS THAT I HAVE PERFORMED			
NAME	DATE		

CONSTRUCTION	
INSPECTOR	
FOREMAN	
REVIEWED BY	
PERMIT INFORMATION	
CITY OF LAS VEGAS	
TAX CODE	

ISOLATION AREA	W.R. NO.
ISO_21 DIST_293	1994603
LOCATION	ATLAS #/TILE #
T21S R61E SEC 3	x630y512

ENGINEER/TECH: MARIA RUSHING		PHONE: 702-365-2008
ACCOUNT REP:		PHONE:
PROJECT CONTACT: MARIA RUSHING		PHONE: 702-365-2008
SHEET NO: 5 OF 5	SCALE: N.T.S.	DATE: 11/18/14
DWN. BY: ZONE ENG	CHKD. BY:	APPVD. BY:
TITLE		
F-CLV 2015 SS-YUCCA & FRANCIS		