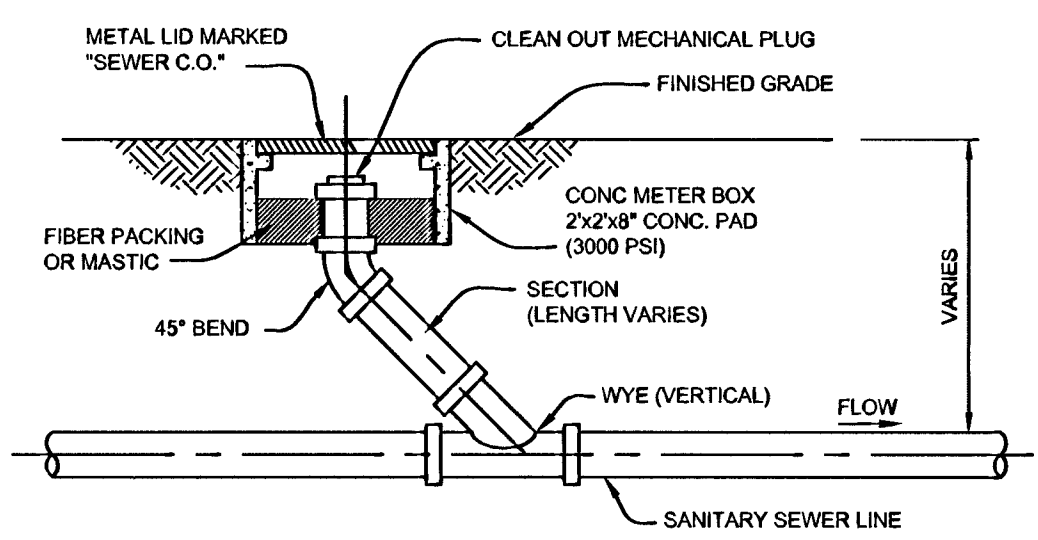
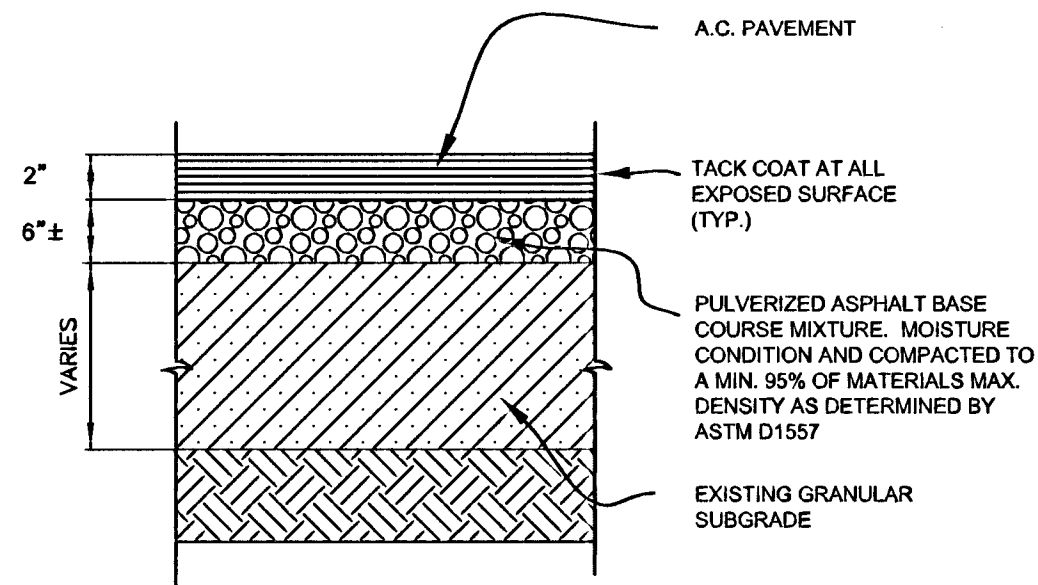


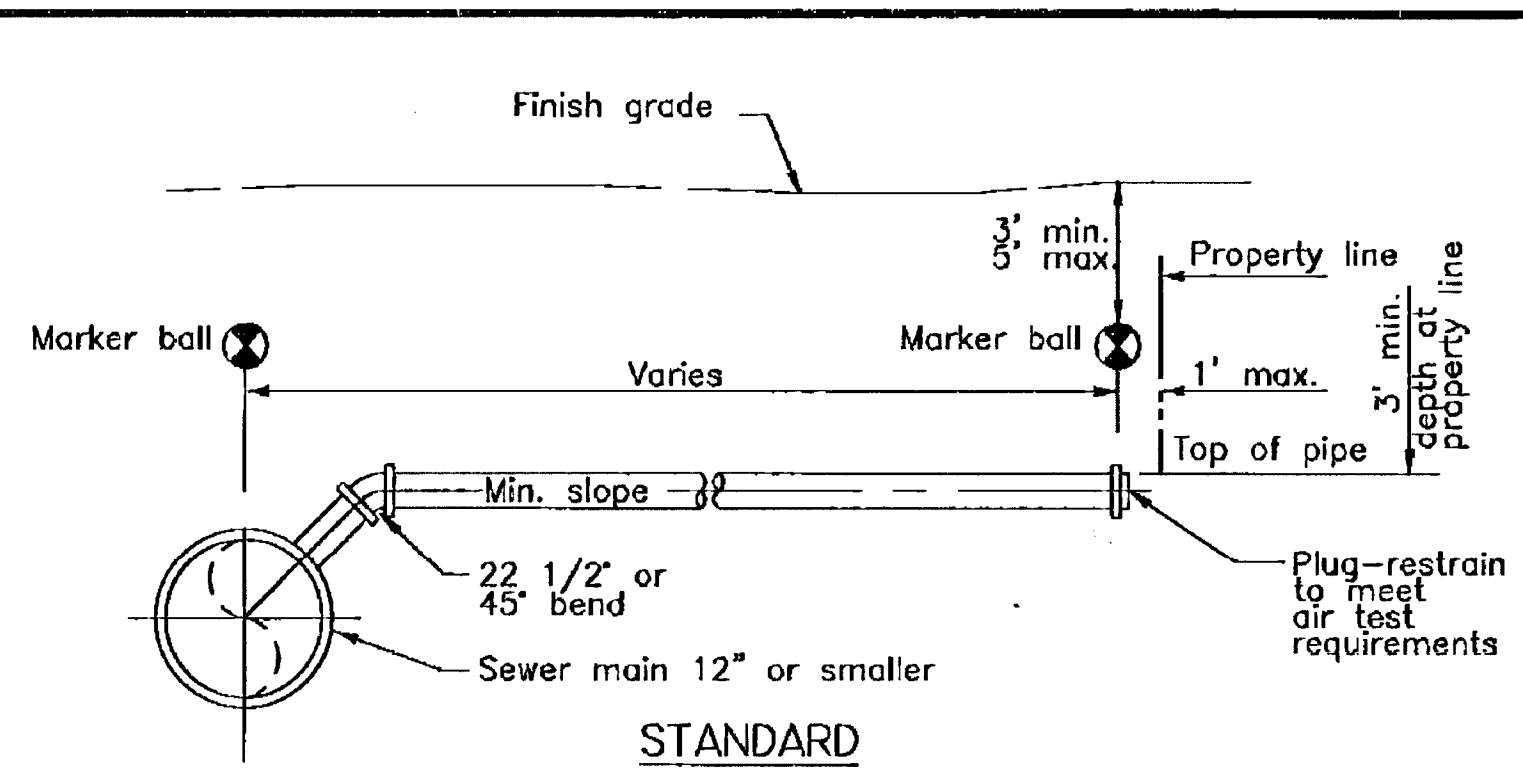
END CLEANOUT IN PAVED AREAS
NOT TO SCALE 1



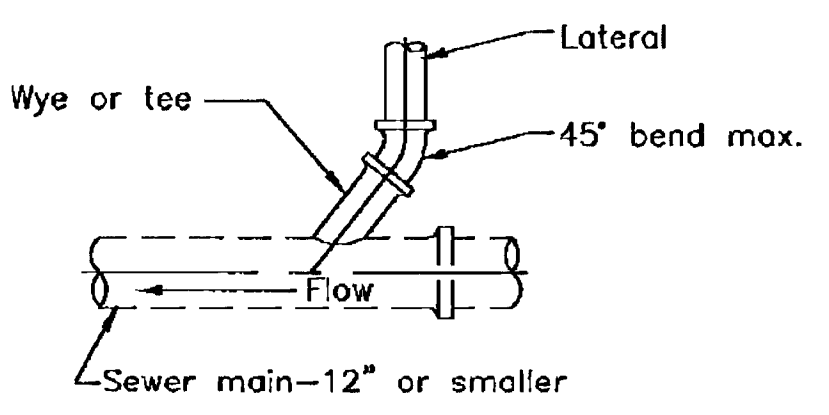
SEWER CLEANOUT DETAIL
NOT TO SCALE 2



TYPICAL PAVING SECTION
NOT TO SCALE 3



STANDARD LATERAL CONNECTION



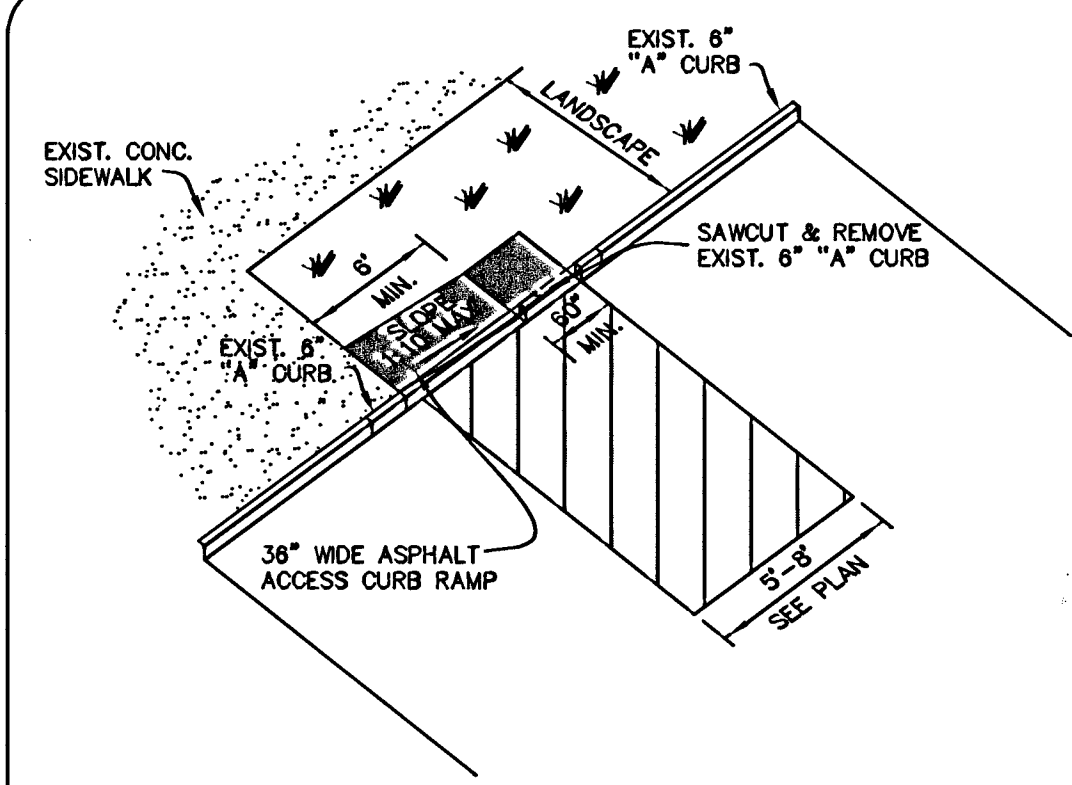
STANDARD WYE PLAN VIEW

- NOTES:**
- All construction shall conform to Section 3.17.
 - All concrete shall be 3000# minimum in accordance with Section 4.11.
 - 22 1/2" or 45" bend may be rotated at sewer main only.
 - Lateral connections shown are limited to main line sanitary sewers 12-inches in diameter or smaller unless otherwise directed by Agency.
 - Place locator ribbon per SD-15 above lateral along its full length.
 - Place marker ball per Section 3.14 and Section 4.12.3 over lateral at connection to main and at upstream end of lateral at property line. Marker ball shall be 3' min. below finish grade where possible.

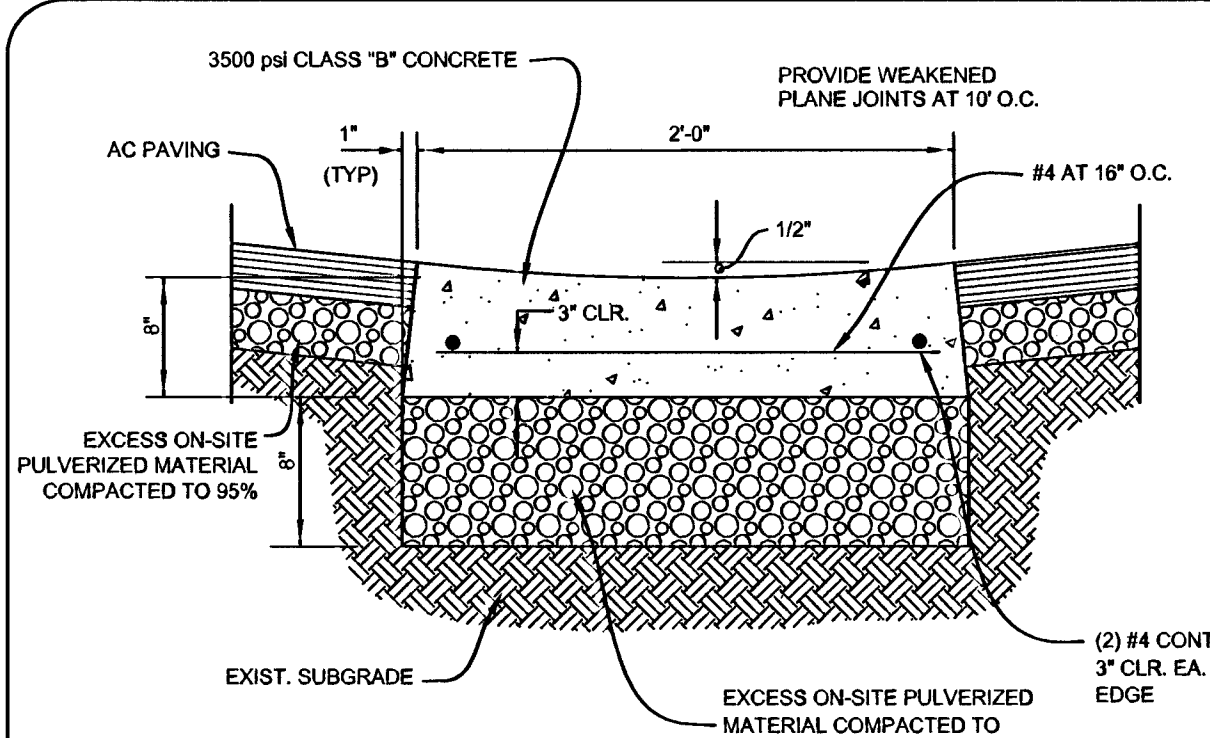
**LATERAL CONNECTION TO SEWER MAIN
12" DIA AND SMALLER**

ISSUED: _____ NUMBER: SD-22

PRIVATE SS LATERAL PROFILE
NOT TO SCALE 5

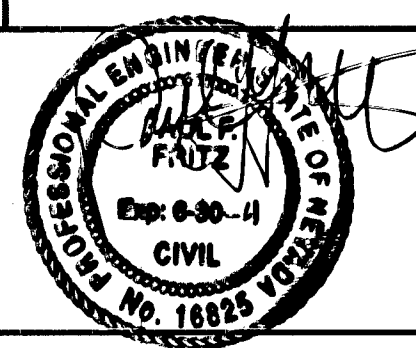


TYPICAL - BEHIND CURB - RAMP
NOT TO SCALE 4



2' CONC. VALLEY GUTTER
NOT TO SCALE 6

Date	Description	No.
Revisions		



Paul F. Fritz DATE 10/1/10
PROFESSIONAL CIVIL ENGINEER NV LIC. No.16825

LANGAN
ENGINEERING & ENVIRONMENTAL SERVICES
3900 Paradise Road
Suite E
Las Vegas, NV 89169
P: 702.415.2040 F: 702.415.2041
www.langan.com
NEW JERSEY PENNSYLVANIA FLORIDA NEW YORK CONNECTICUT
NEVADA VIRGINIA CALIFORNIA

Project
WYANDOTTE APTS
LAS VEGAS
CLARK COUNTY NV

Drawing Title
DETAIL SHEET

Project No.	600019801	Drawing No.	C6.01
Date	08/23/2010		
Scale	NTS		
Drn. By	pff		
Last Revised	08/23/2010	11 Of 11	

CLV DWG. No. 107V 5524

124900