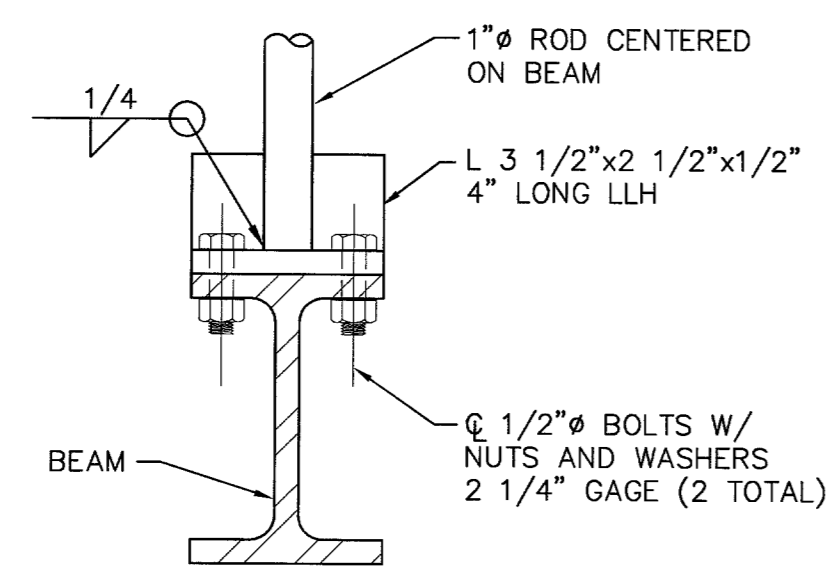
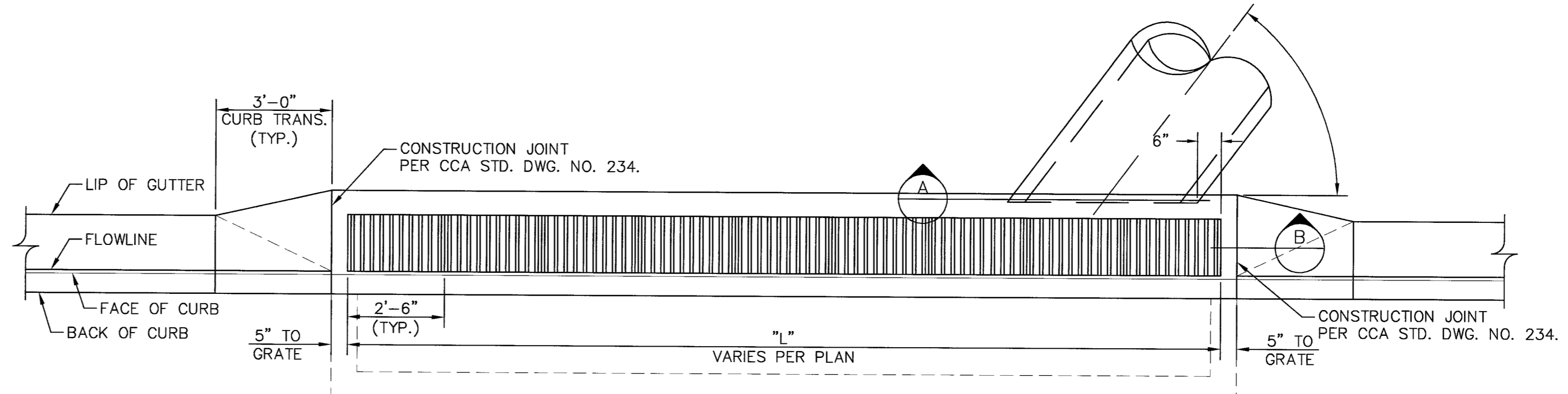


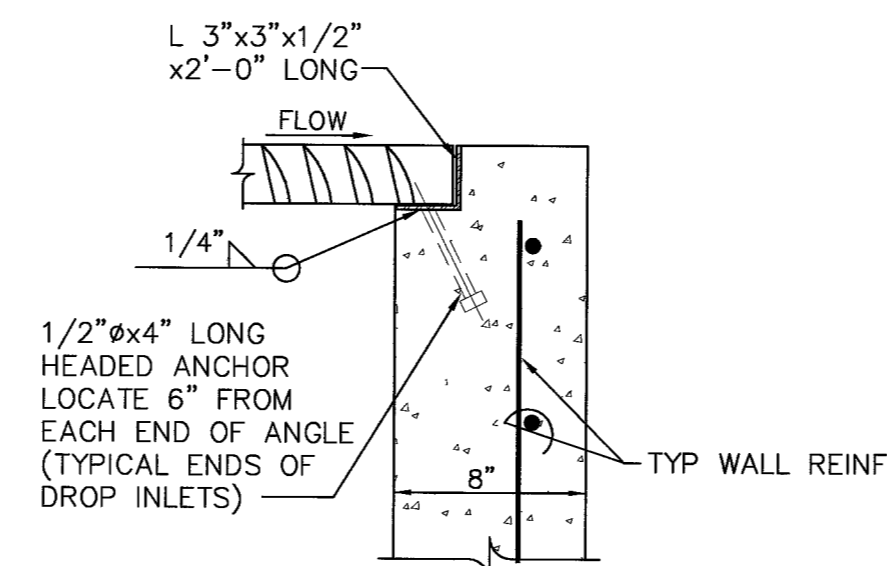
**SECTION "A"**  
SCALE 3/4"=1'



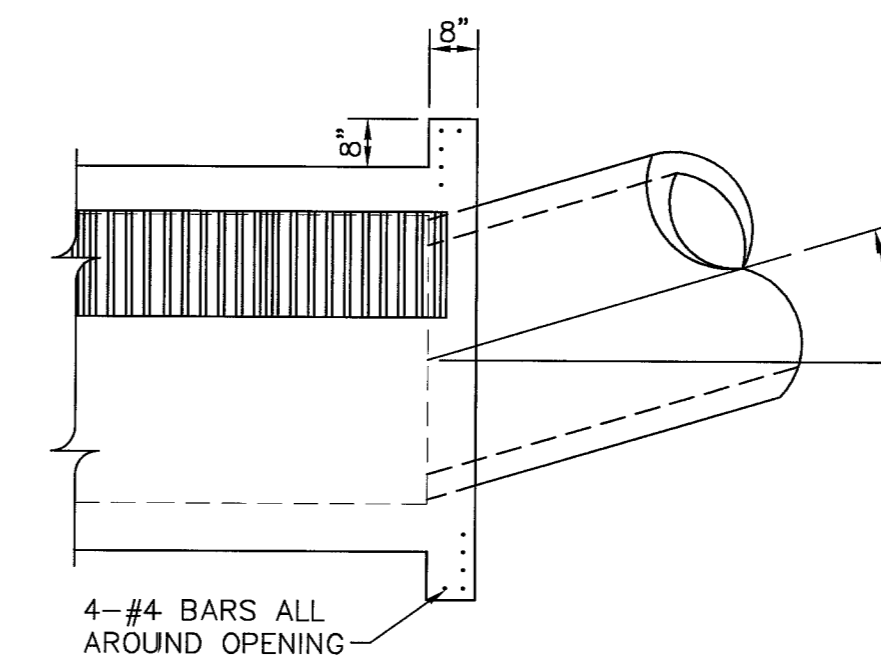
**DETAIL "B"**  
SCALE 3"=1'



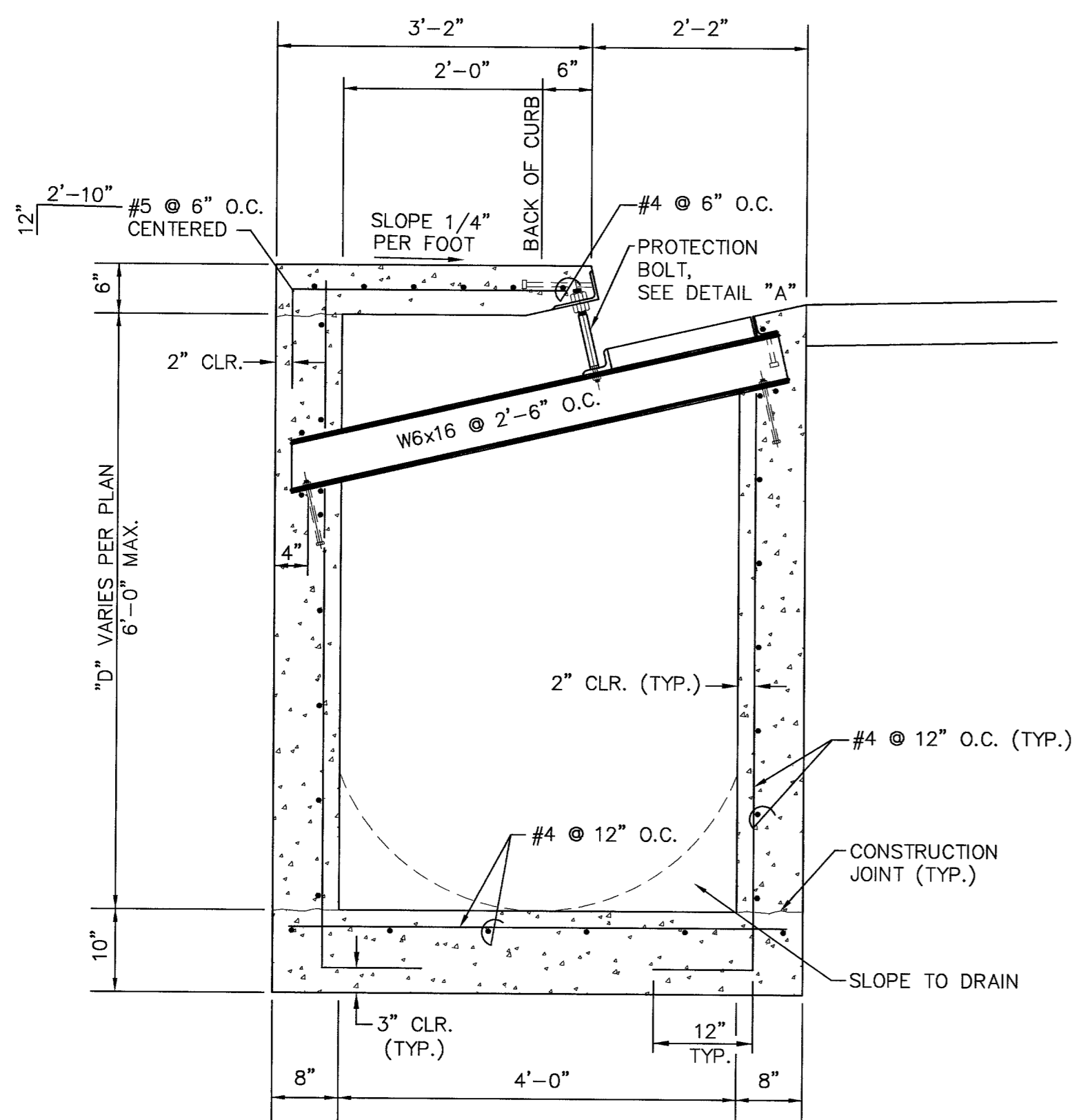
**DROP INLET LAYOUT PLAN**  
SCALE 3/8"=1'



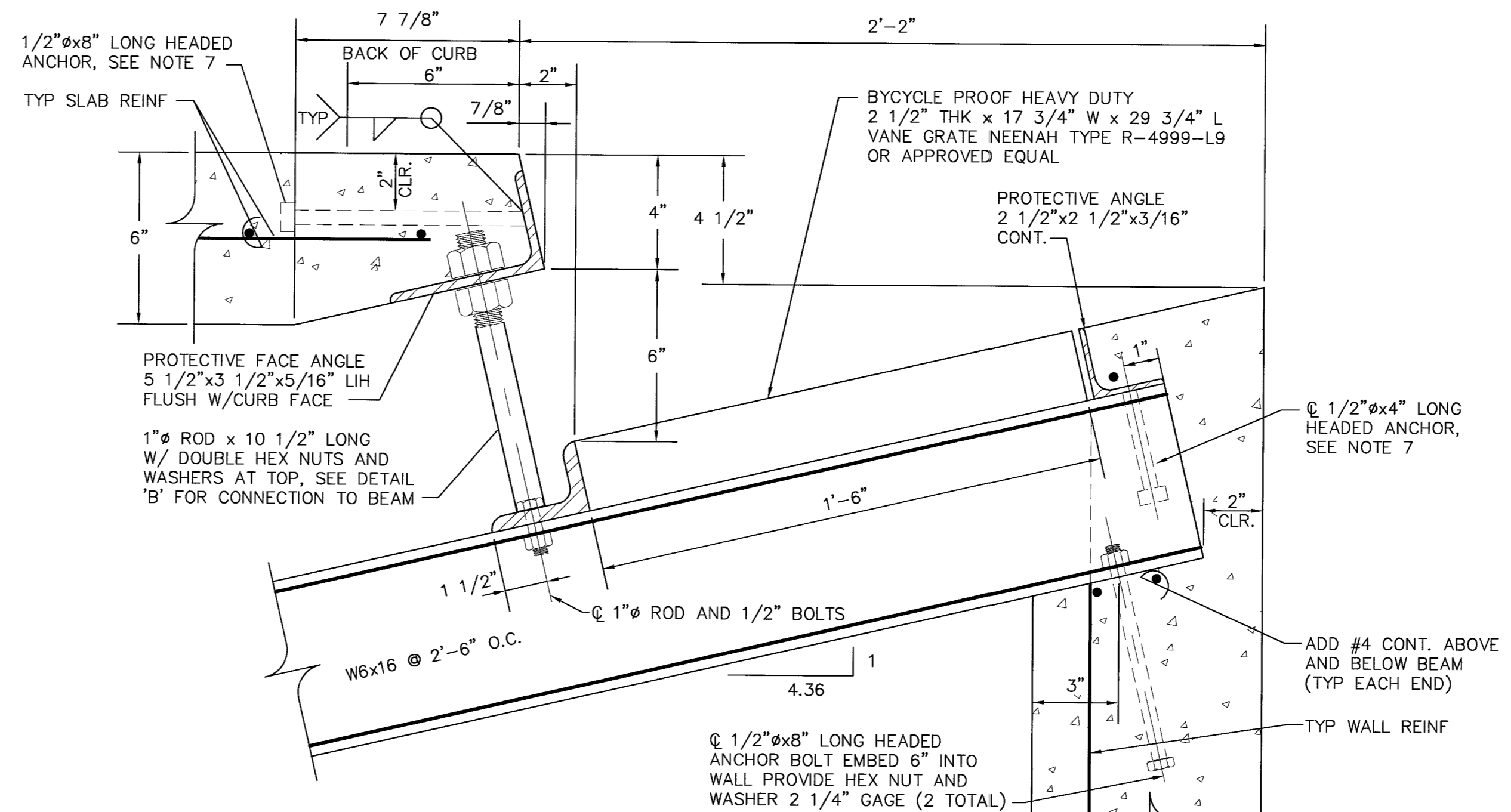
**SECTION "B"**  
SCALE 1-1/2"=1'



**ALTERNATE CONNECTION DETAIL**  
SCALE 3/8"=1'



**TYPE "CM" DROP INLET SECTION**  
SCALE 3/4"=1'



**PROTECTIVE FACE & ROD - DETAIL "A"**  
SCALE 3"=1'

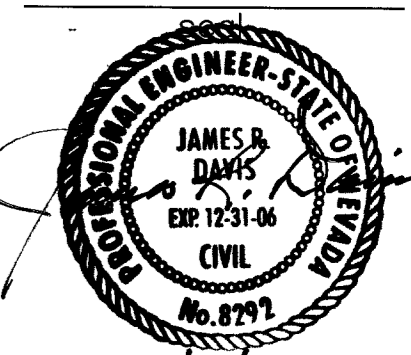
no.	description of revisions	date	name
1	ADDED SHEET	3/1/05	JRW

WORLD MARKET CENTER  
350 S. Beverly Hills Dr., Suite 330  
Beverly Hills, CA, 90212  
phone: (310)284-8600  
fax: (310)284-8100

**MARTIN & MARTIN**  
CIVIL ENGINEERS  
2101 S. JONES, SUITE 120  
Beverly Hills, CA 90212  
PHONE (702) 248-8000  
FAX (702) 248-8070

sheet  
**STORM DRAIN DROP INLET DETAILS**  
TYPE "C" MODIFIED INLET  
title  
WORLD MARKET CENTER  
PHASE I

date	9/3/04
job number	1913.01
design by	JON R. WAKENHUT, P.E.
drawn by	D. BUTZ
checked by	JAMES R. DAVIS, P.E.



3/3/05  
sheet  
**C8.03**  
SHEET 22 OF 25  
drawing number  
10703916