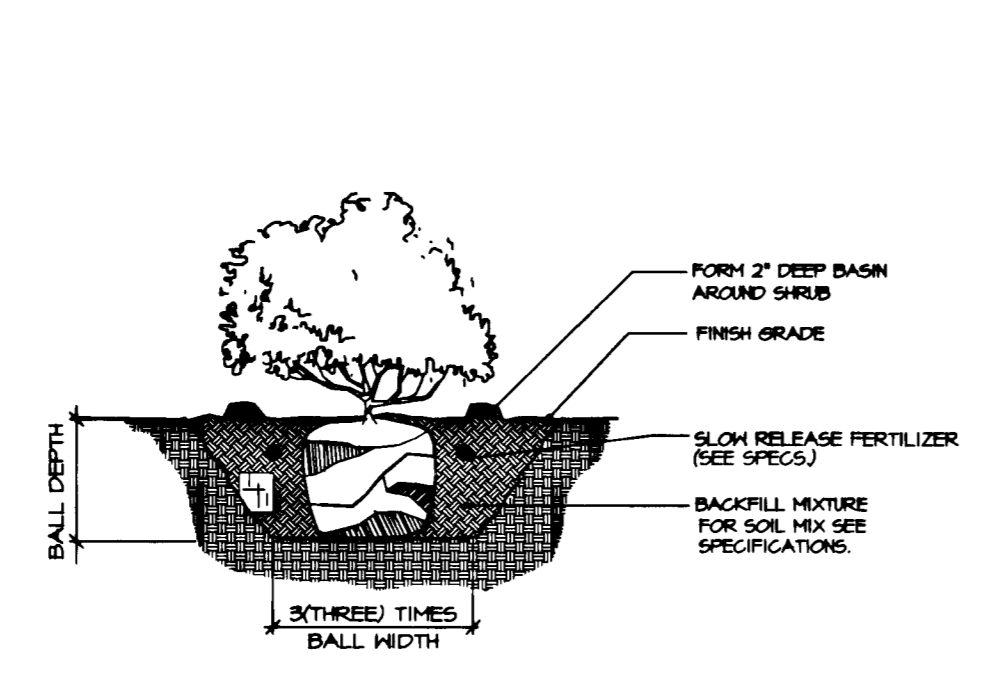
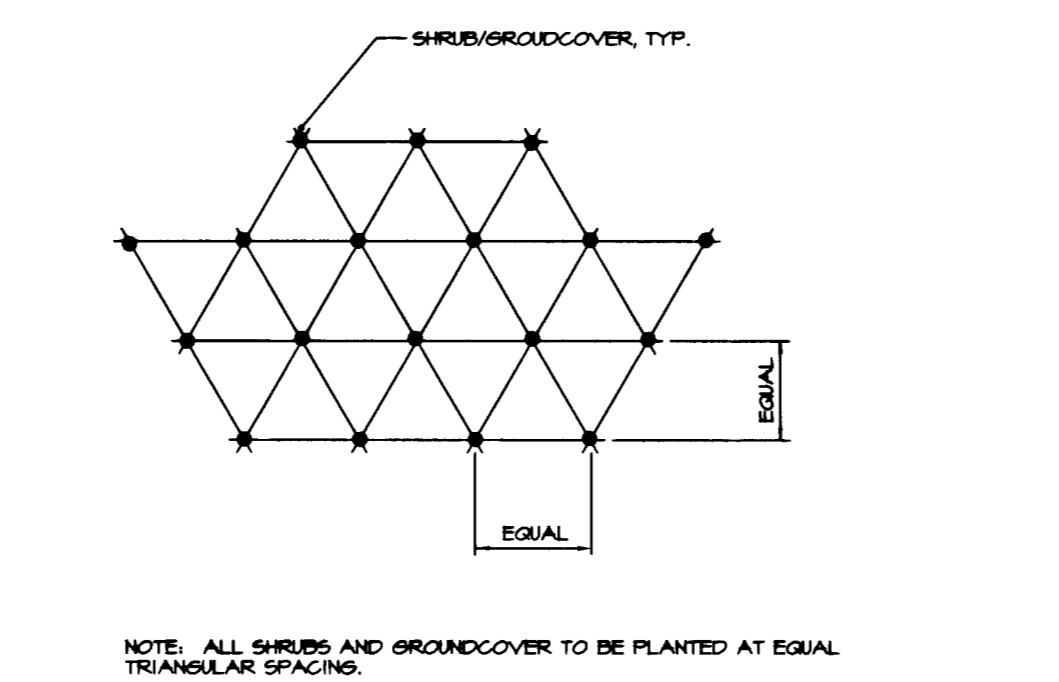


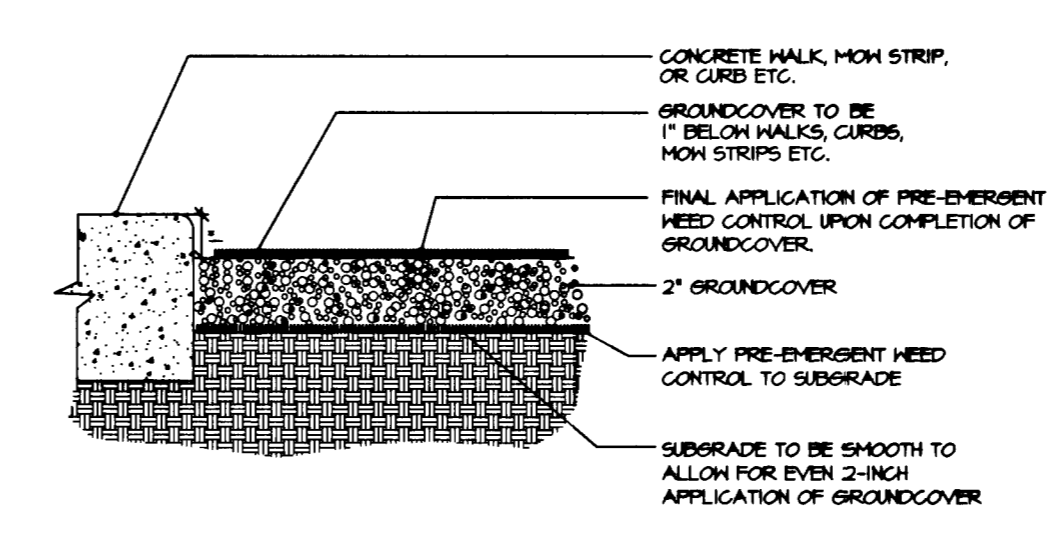
A TREE PLANTING AND STAKING



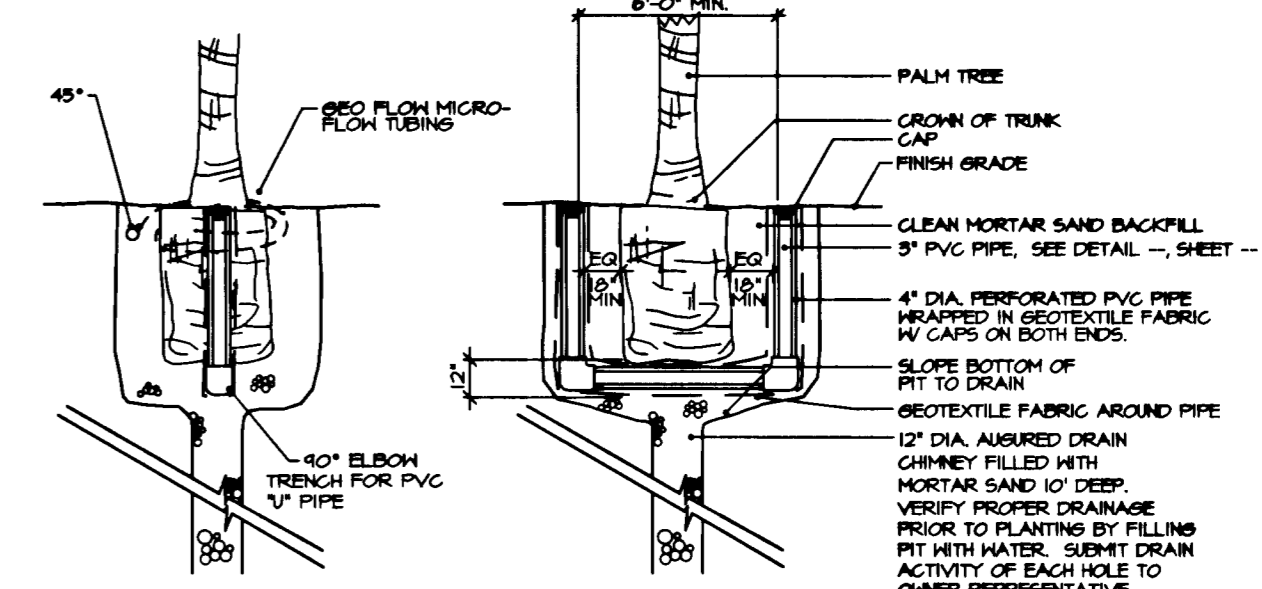
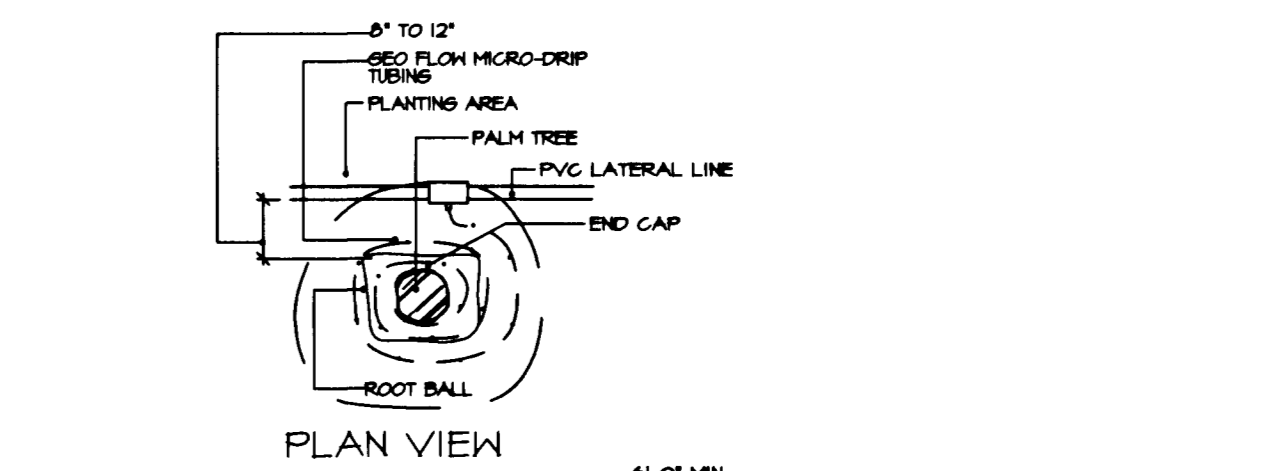
B SHRUB PLANTING



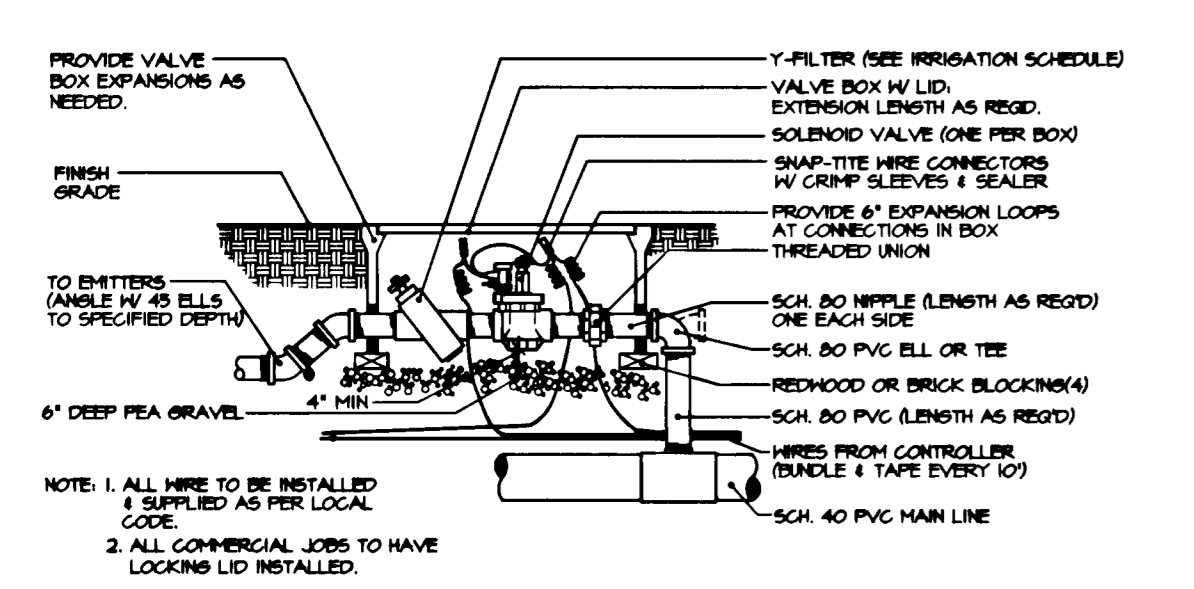
C SHRUB SPACING



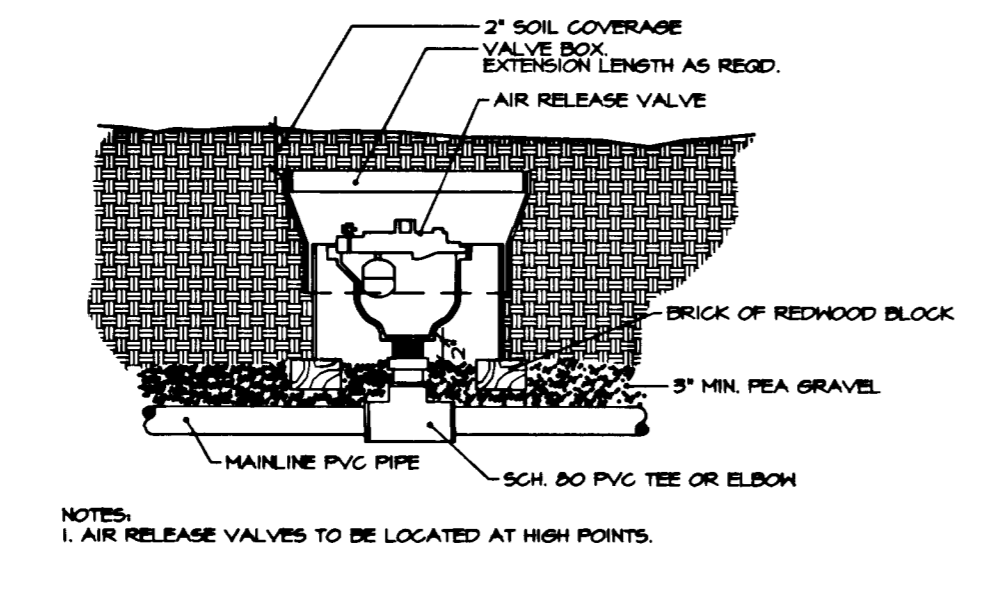
H GROUNDCOVER DETAIL



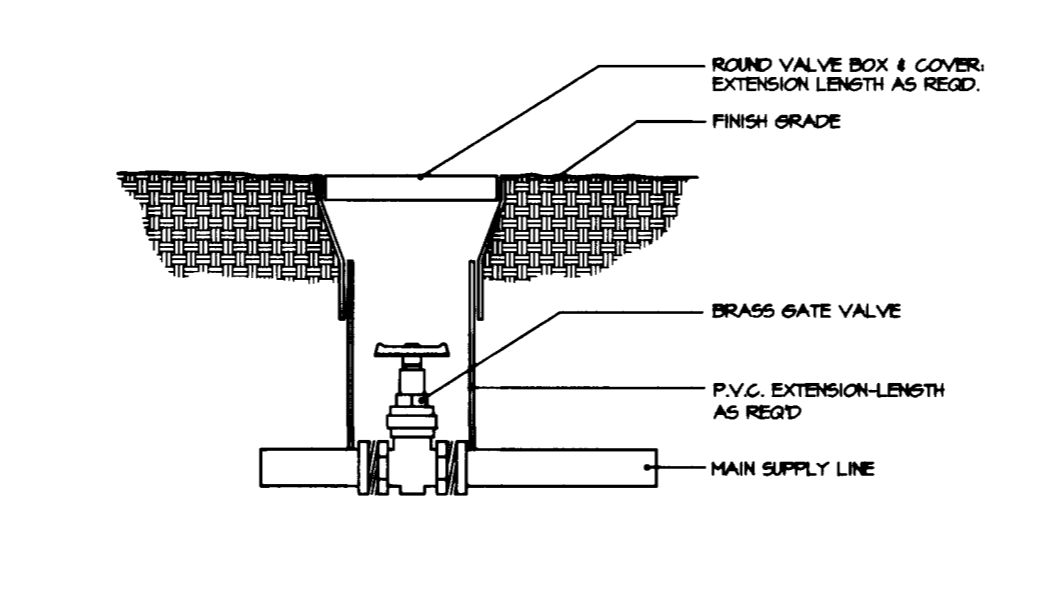
A PALM TREE PIPE/EMITTER DETAIL



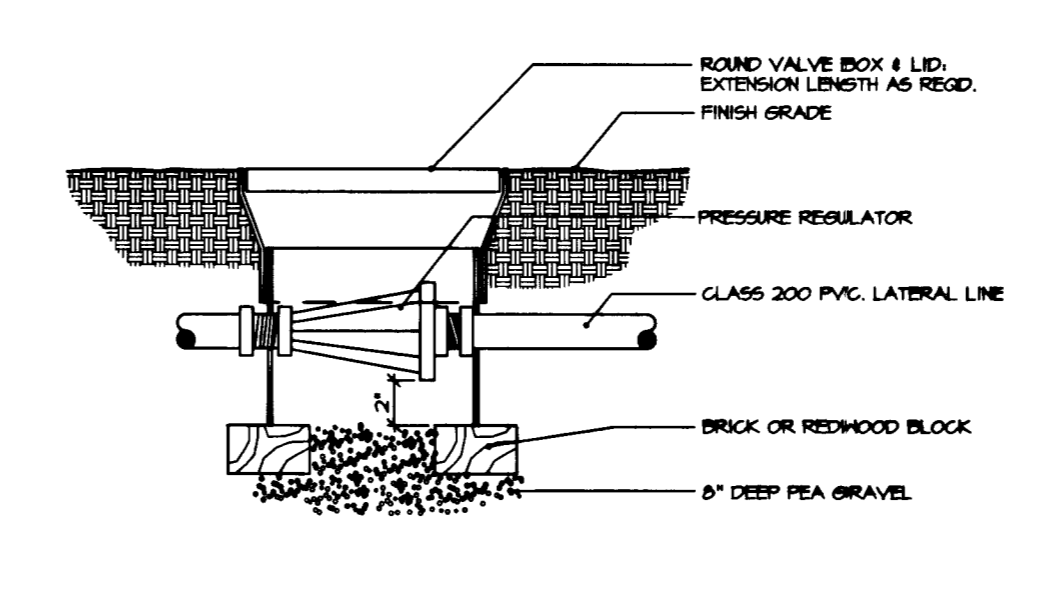
C SOLENOID VALVE (DRIP)



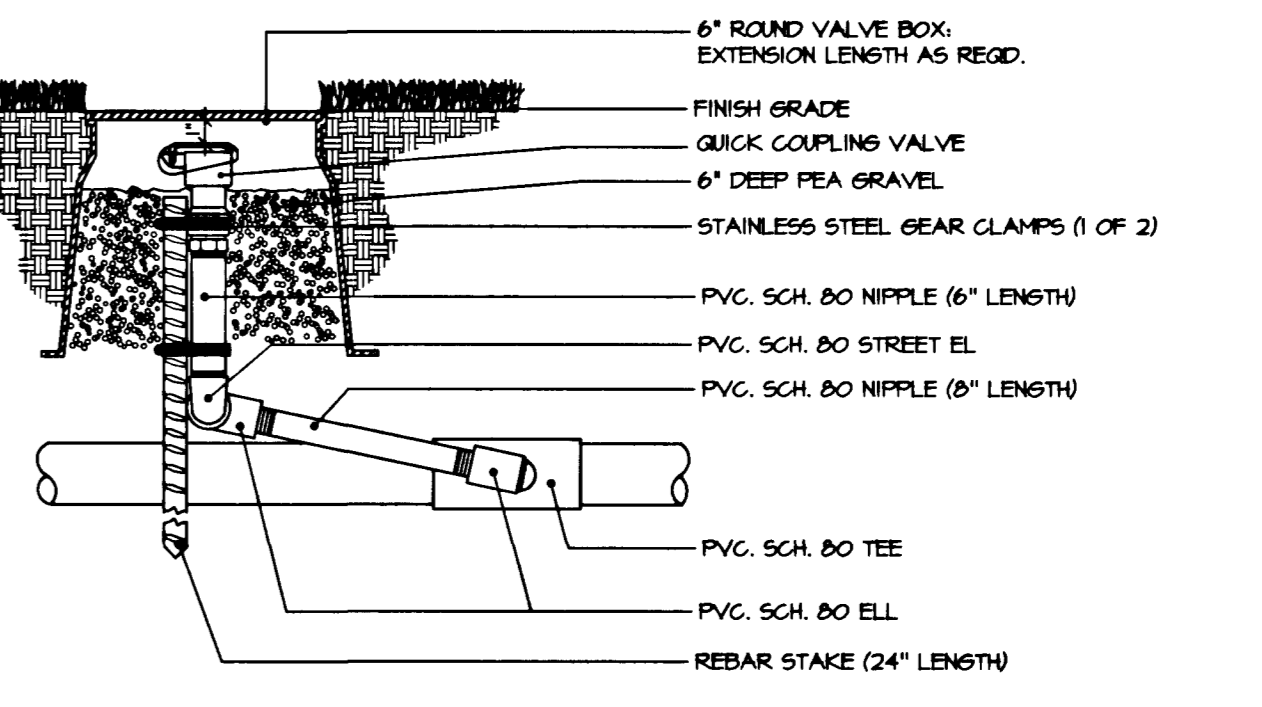
D AIR RELEASE VALVE



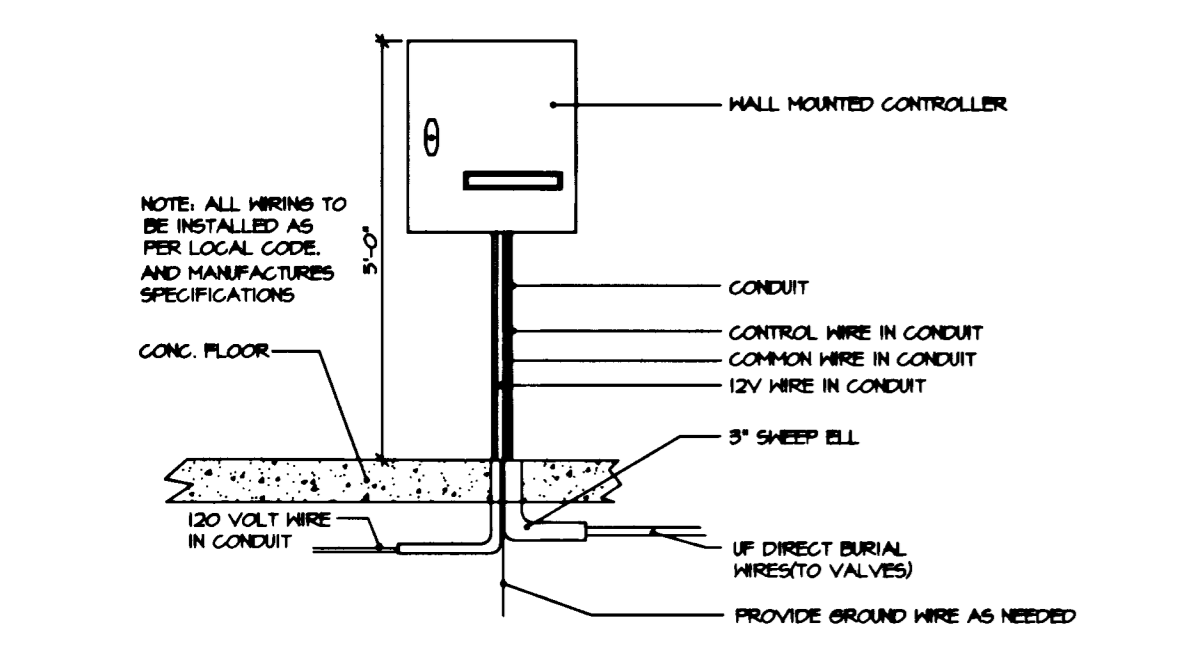
E GATE VALVE



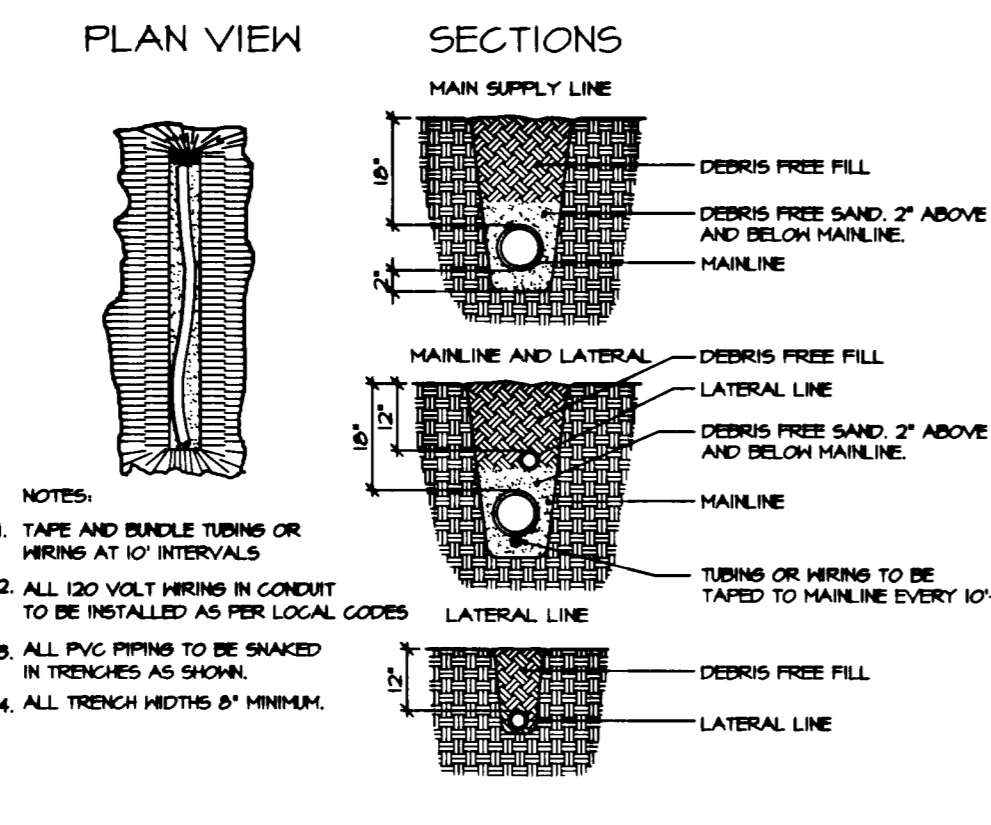
H PRESSURE REGULATOR



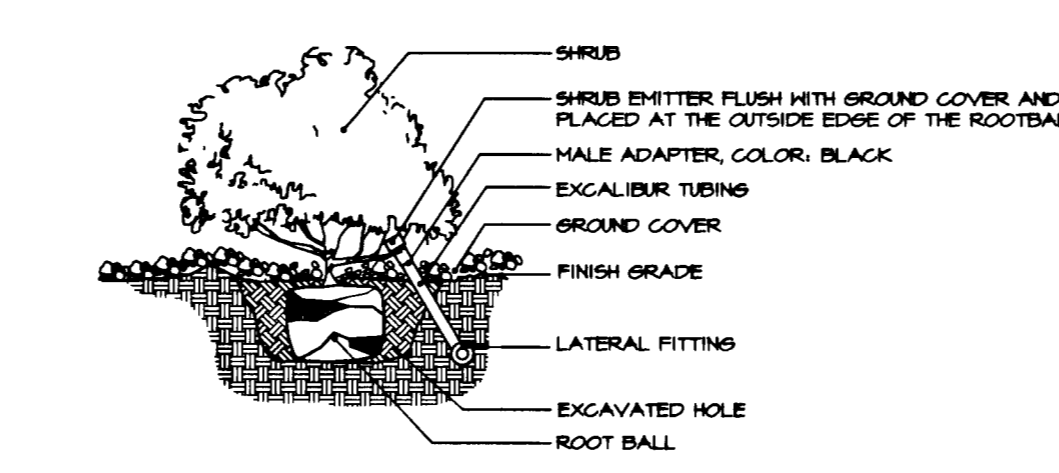
K QUICK COUPLER



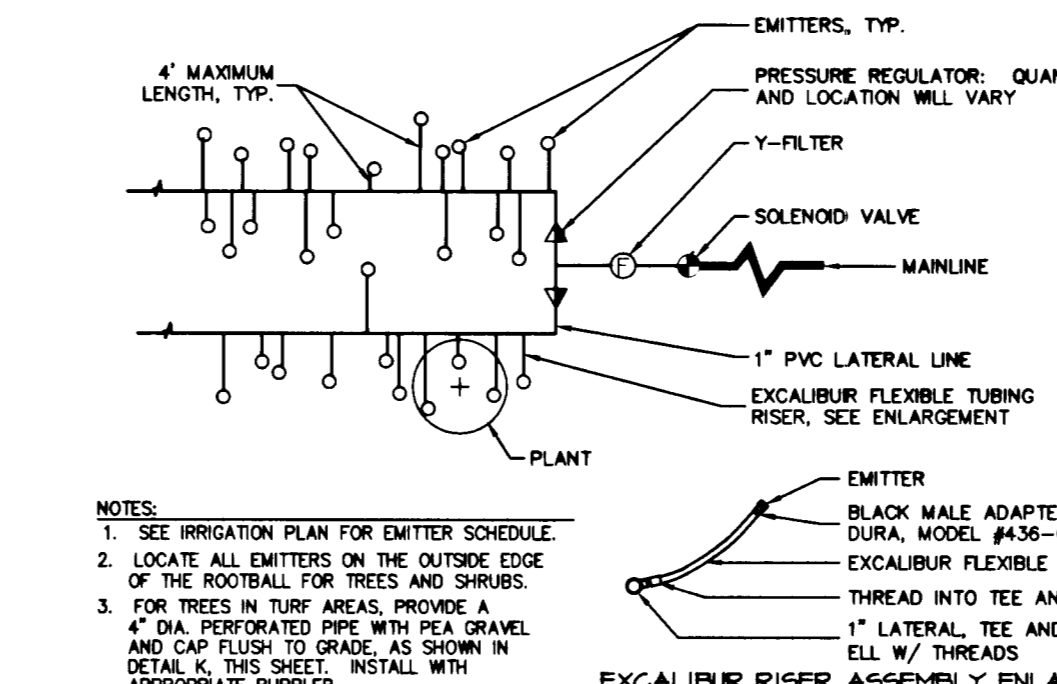
G WALL MOUNT CONTROLLER



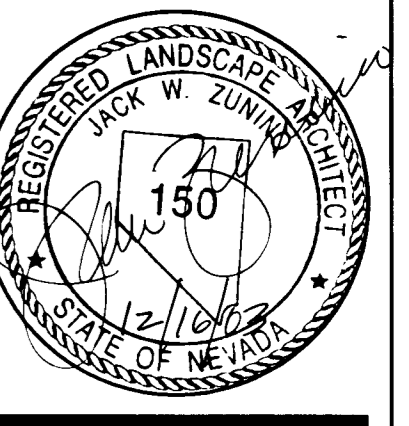
N 18" DEEP TRENCHING DETAIL



P PLANT EMITTER



U SCHEMATIC DRIP EMITTER LAYOUT



THE WILLOWS AT TOWN CENTER

Project Number: 22933
 Date: 11-25-03
 Drawn By: SAI
 Checked By: JUZ
 Scale: N.T.S.
 Revisions:
 Δ
 Δ
 Δ

THIS DOCUMENT AND THE IDEAS AND DESIGNS INCORPORATED HERE IN, AS AN INSTRUMENT OF PROFESSIONAL SERVICE, IS THE PROPERTY OF JWZUNINO & ASSOCIATES, AND IS NOT TO BE USED IN WHOLE OR IN PART, FOR ANY OTHER PROJECT WITHOUT THE WRITTEN PERMISSION OF JWZUNINO & ASSOCIATES, INC.

Sheet Title: LANDSCAPE DETAILS

Sheet Number: