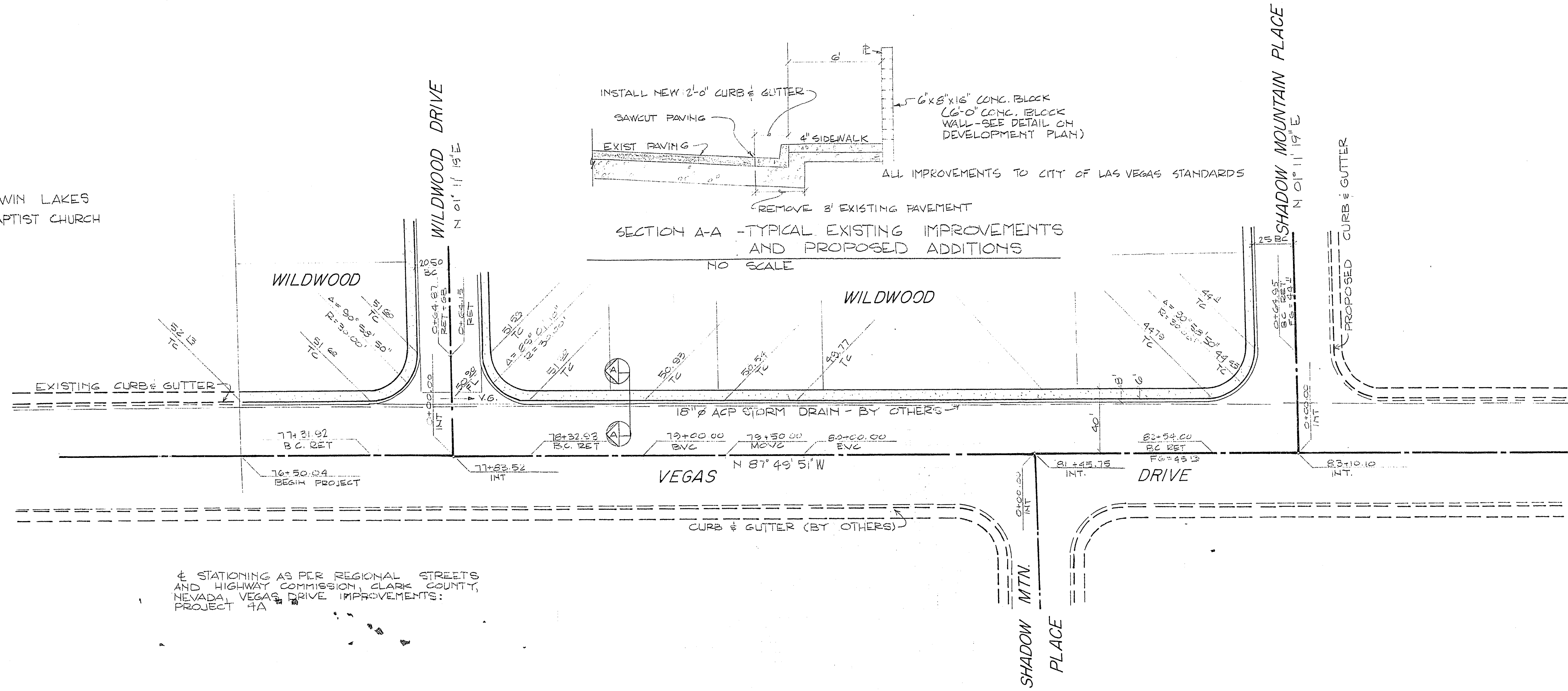
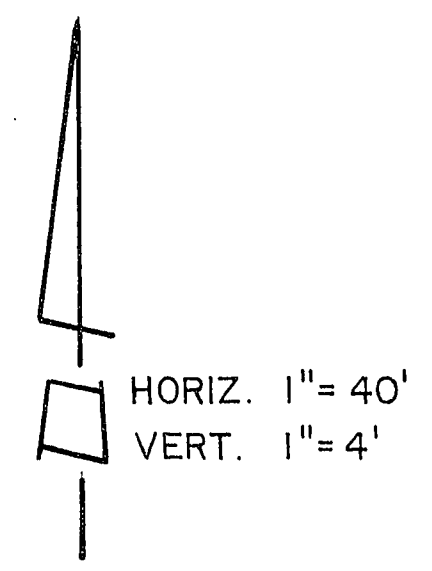


TWIN LAKES  
BAPTIST CHURCH

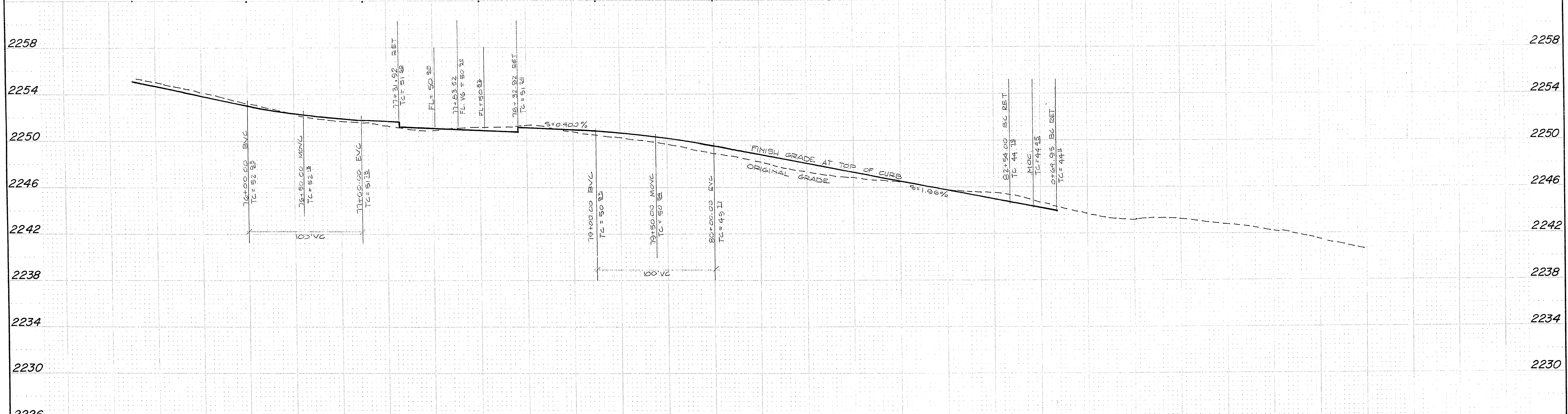


SECTION A-A - TYPICAL EXISTING IMPROVEMENTS AND PROPOSED ADDITIONS  
NO SCALE



± STATIONING AS PER REGIONAL STREETS AND HIGHWAY COMMISSION, CLARK COUNTY, NEVADA, VEGAS DRIVE IMPROVEMENTS, PROJECT 4A

75+00 76+00 77+00 78+00 79+00 80+00 81+00 82+00 83+00 84+00 85+00 86+00



REVISIONS			JOB NO. 272008
NO.	DESCRIPTION	DATE	
			DESIGNED JWS
			DRAWN WDA
			COMP.
			CHECKED WLD
			DATE MAY 1972
			SHEET NO. 13
			OF 13 SHEETS

STREET IMPROVEMENTS  
WILDWOOD SUBDIVISION

LAS VEGAS NEVADA  
SEA CONSULTING ENGINEERS / PLANNERS  
SPARKS, NEVADA - SEATTLE, WASHINGTON - LAS VEGAS, NEVADA