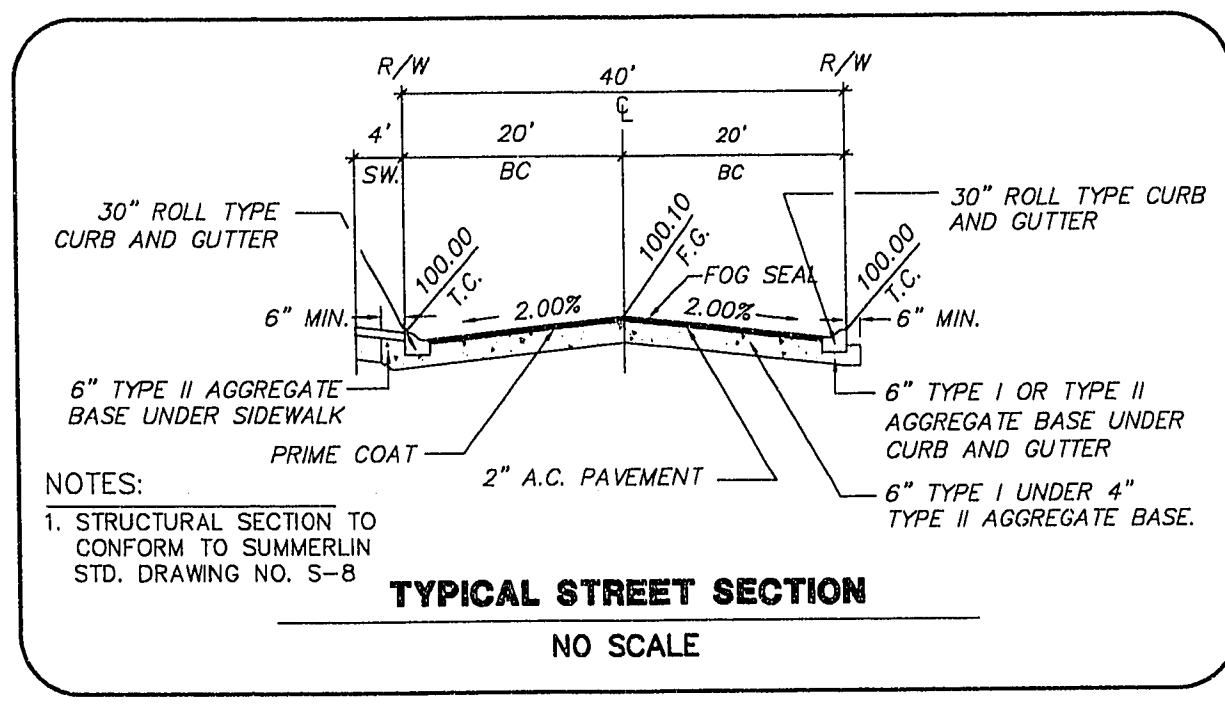
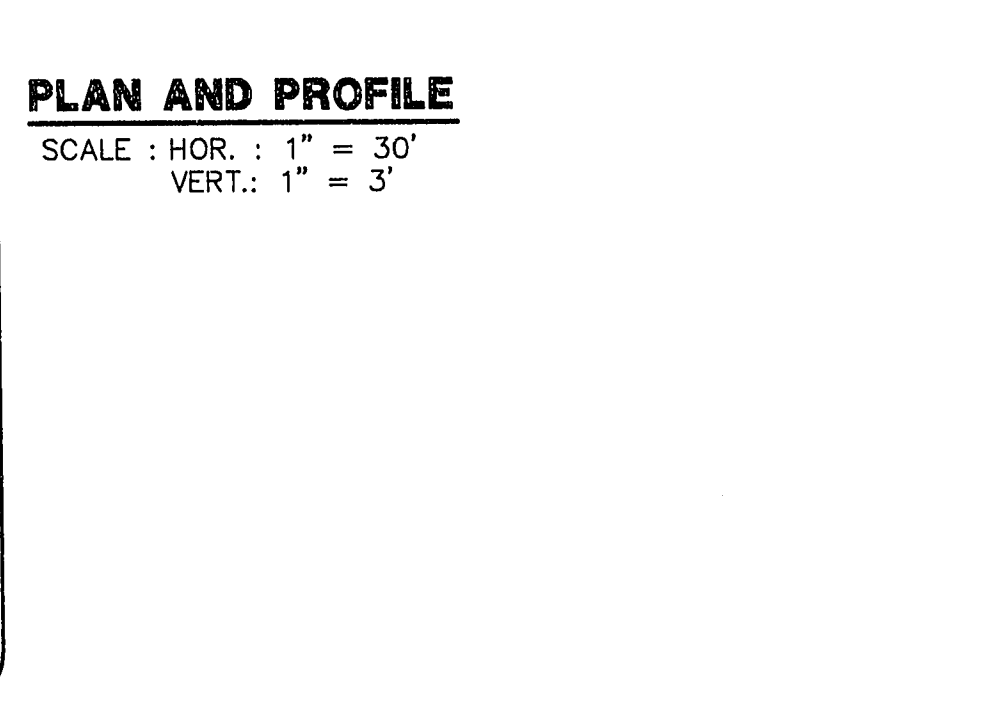
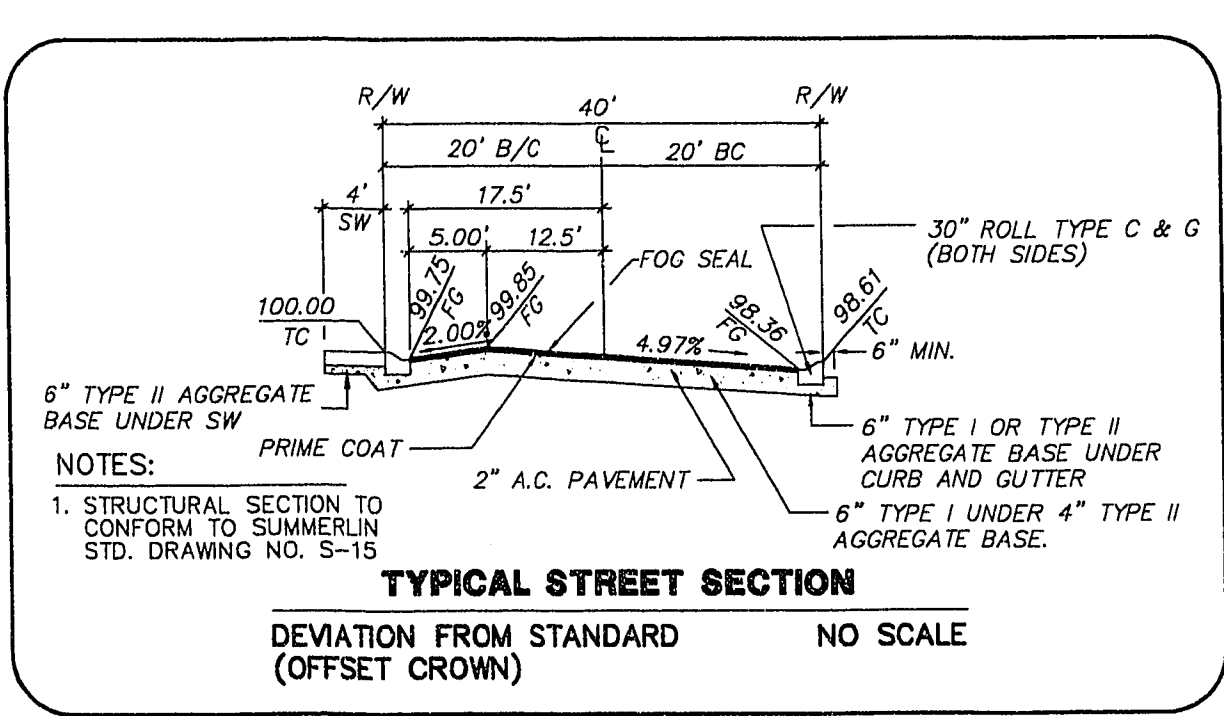
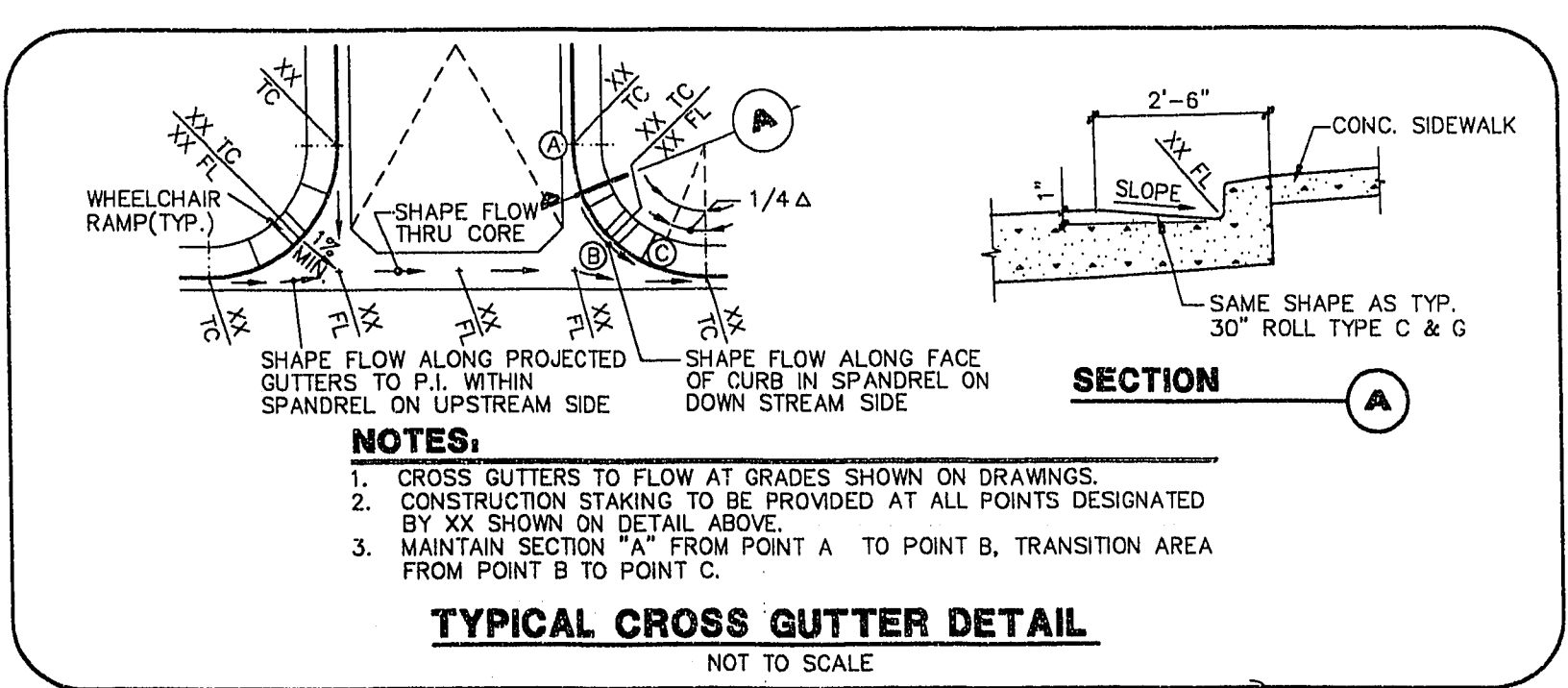
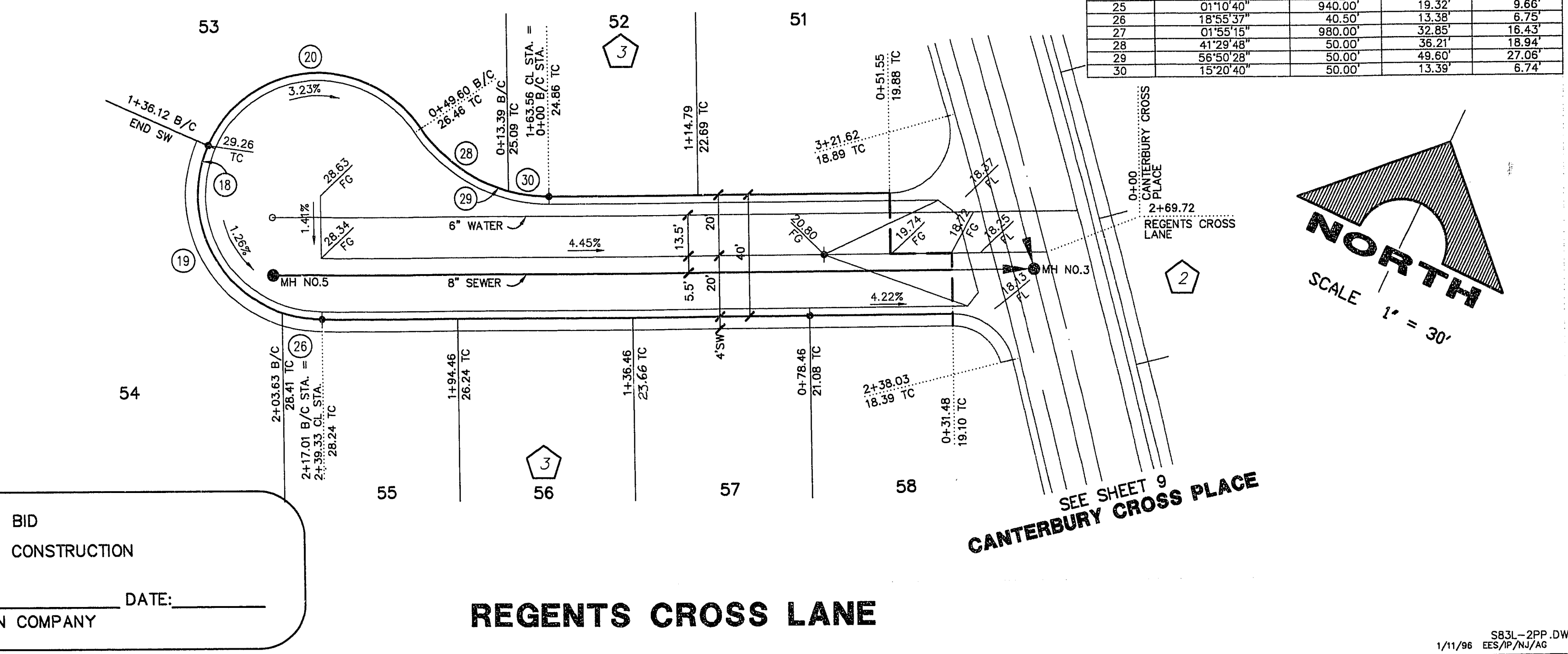
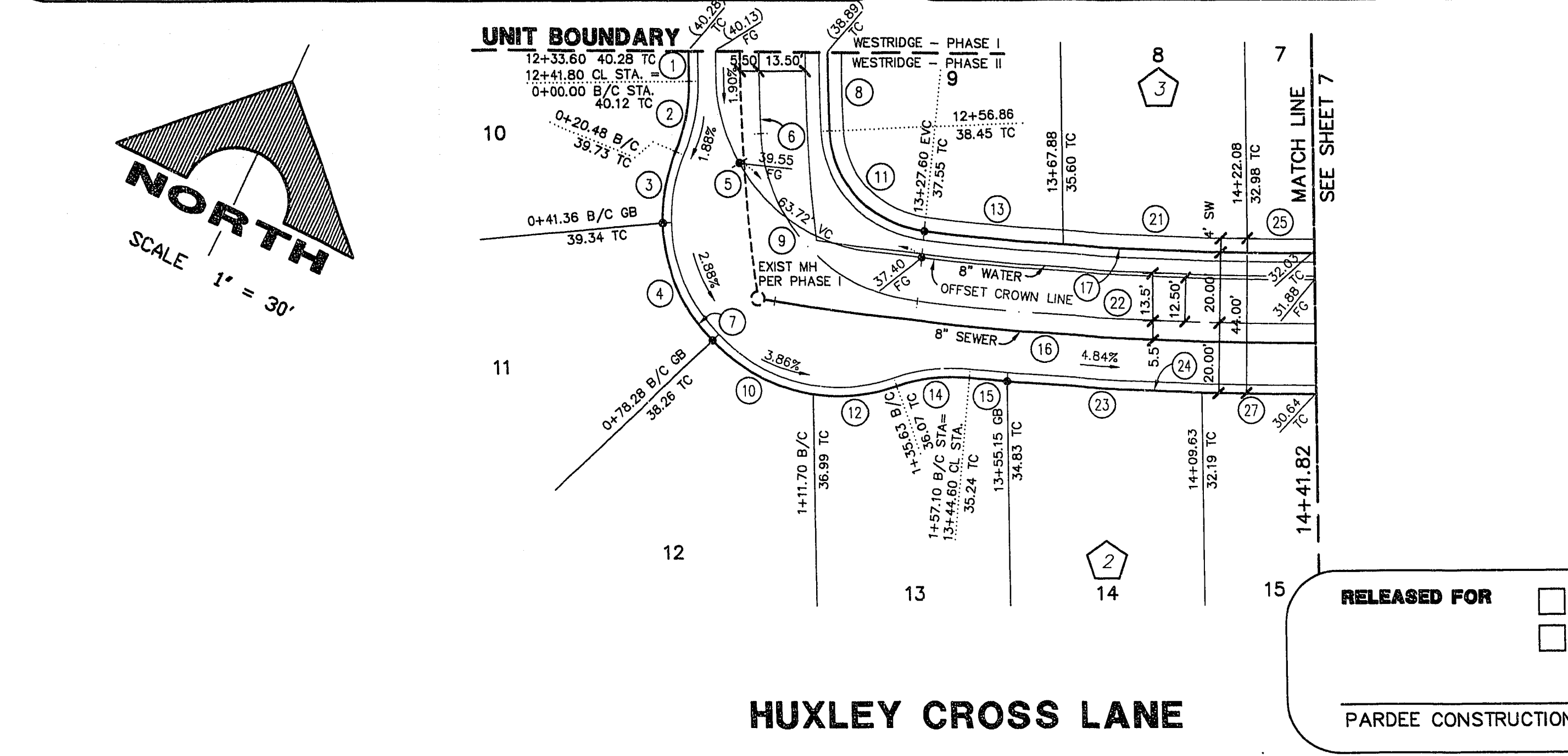


REV	DATE	DESCRIPTION
1	11/19/96	ISSUED FOR PERMITS
2	11/19/96	ISSUED FOR PERMITS
3	11/19/96	ISSUED FOR PERMITS
4	11/19/96	ISSUED FOR PERMITS
5	11/19/96	ISSUED FOR PERMITS
6	11/19/96	ISSUED FOR PERMITS
7	11/19/96	ISSUED FOR PERMITS
8	11/19/96	ISSUED FOR PERMITS
9	11/19/96	ISSUED FOR PERMITS
10	11/19/96	ISSUED FOR PERMITS
11	11/19/96	ISSUED FOR PERMITS
12	11/19/96	ISSUED FOR PERMITS
13	11/19/96	ISSUED FOR PERMITS
14	11/19/96	ISSUED FOR PERMITS
15	11/19/96	ISSUED FOR PERMITS
16	11/19/96	ISSUED FOR PERMITS
17	11/19/96	ISSUED FOR PERMITS
18	11/19/96	ISSUED FOR PERMITS
19	11/19/96	ISSUED FOR PERMITS
20	11/19/96	ISSUED FOR PERMITS
21	11/19/96	ISSUED FOR PERMITS
22	11/19/96	ISSUED FOR PERMITS
23	11/19/96	ISSUED FOR PERMITS
24	11/19/96	ISSUED FOR PERMITS
25	11/19/96	ISSUED FOR PERMITS
26	11/19/96	ISSUED FOR PERMITS
27	11/19/96	ISSUED FOR PERMITS
28	11/19/96	ISSUED FOR PERMITS
29	11/19/96	ISSUED FOR PERMITS
30	11/19/96	ISSUED FOR PERMITS

RECOMMENDED  
 G. IRA WALLACE  
 ENGINEERING ARCHITECTURE  
 No. 10901  
 1555 SOUTH RANNEY BLVD./LAS VEGAS, NEVADA 89102



CURVE	DELTA	RADIUS	LENGTH	TANGENT
1	00°58'44"	500.00'	8.54'	4.27'
2	23°28'10"	50.00'	20.48'	10.39'
3	23°55'18"	50.00'	20.88'	10.59'
4	42°18'47"	50.00'	36.93'	19.35'
5	08°18'09"	485.50'	10.34'	35.23'
6	02°46'35"	480.00'	23.26'	11.63'
7	131°57'04"	50.00'	115.15'	112.17'
8	02°46'37"	460.00'	22.29'	11.15'
9	81°04'01"	50.00'	70.74'	42.72'
10	38°17'34"	50.00'	33.42'	17.36'
11	81°04'01"	30.00'	42.45'	25.65'
12	27°25'28"	50.00'	23.83'	12.20'
13	02°24'18"	940.00'	39.44'	19.72'
14	24°36'08"	50.00'	21.47'	10.90'
15	00°37'42"	980.00'	10.77'	5.39'
16	09°12'43"	965.50'	155.23'	77.78'
17	08°49'01"	940.00'	111.84'	55.99'
18	23°50'28"	40.50'	18.41'	44.60'
19	05°31'01"	40.50'	87.82'	44.60'
20	122°23'50"	40.50'	86.82'	73.66'
21	03°14'08"	940.00'	53.07'	26.84'
22	08°48'01"	980.00'	114.22'	57.18'
23	03°15'05"	980.00'	55.61'	27.81'
24	05°48'08"	980.00'	99.24'	49.66'
25	01°10'40"	940.00'	19.32'	9.66'
26	18°58'17"	40.50'	13.38'	6.75'
27	01°58'15"	980.00'	32.85'	16.43'
28	41°29'48"	50.00'	36.21'	18.94'
29	58°50'28"	50.00'	48.60'	27.06'
30	15°20'40"	50.00'	13.38'	6.74'



RELEASED FOR  BID  CONSTRUCTION

DATE: \_\_\_\_\_

PARDEE CONSTRUCTION COMPANY

PARDEE CONSTRUCTION COMPANY  
 WESTRIDGE AT SUMMERLIN - PHASE II  
 REGENTS CROSS LN & HUXLEY CROSS LN

SHEET  
**8**  
 OF 14 SHEETS

JOB NO. 5527-0210

11-24-26 1071-4417-2