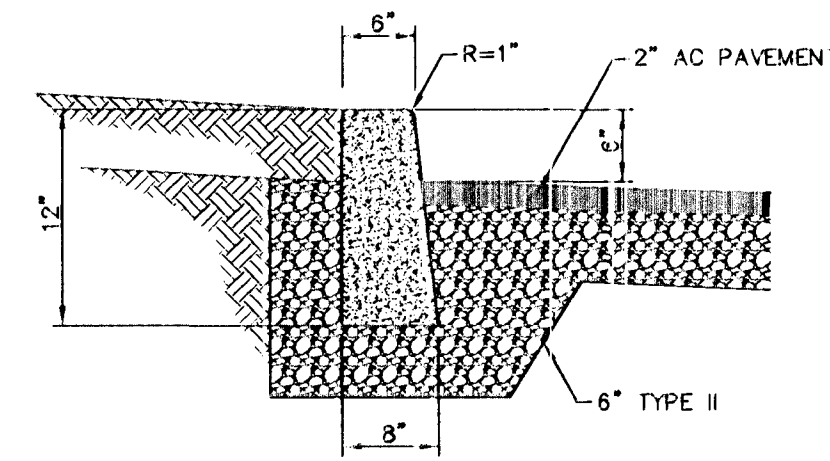
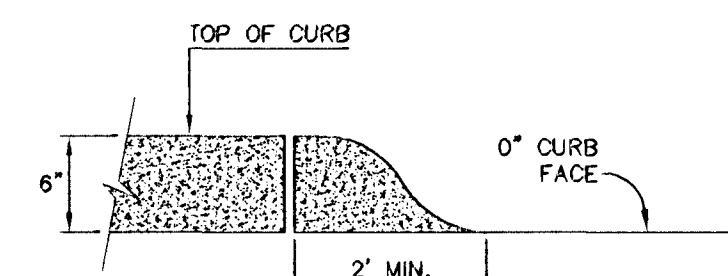


NOTES
 1. 1" BATTER ON GUTTER FACE OPTIONAL.
 2. WHERE LONGITUDINAL SLOPE IS LESS THAN 0.4%, THE FLOW LINE SHALL BE WATER TESTED.

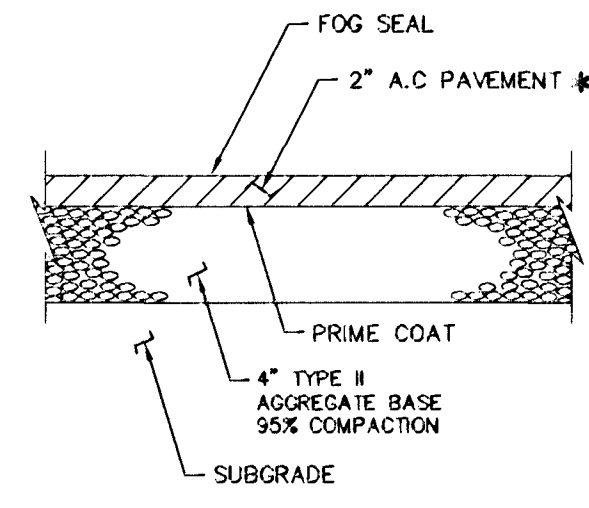
1 'L' TYPE CURB AND GUTTER DETAIL
 PER USD DWG. No. 216 SCALE: N/S



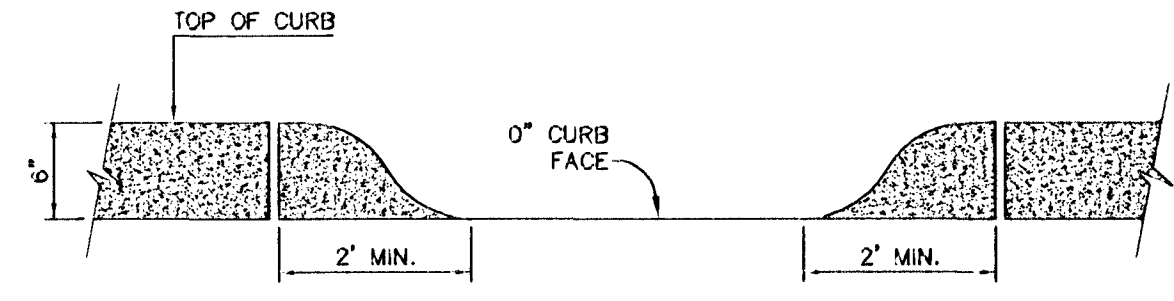
2 'A' TYPE CURB DETAIL
 PER USD DWG. No. 219 SCALE: N/S



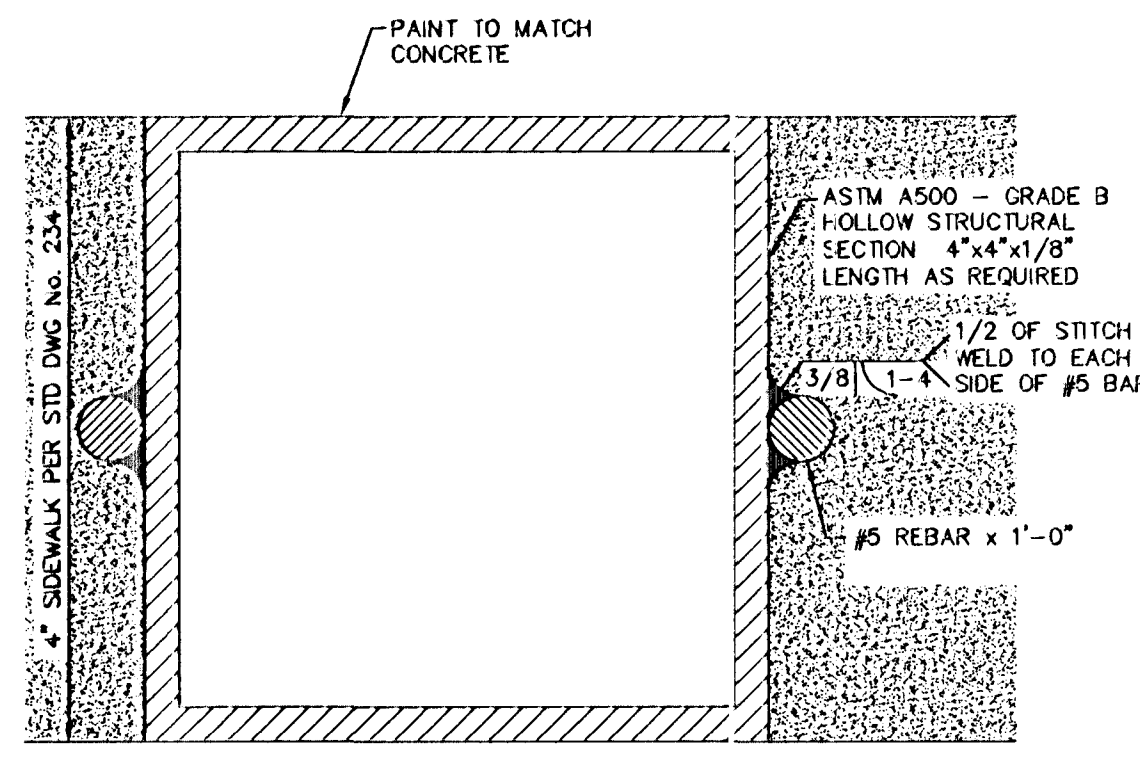
3 2' CURB TRANSITION
 SCALE: N/S



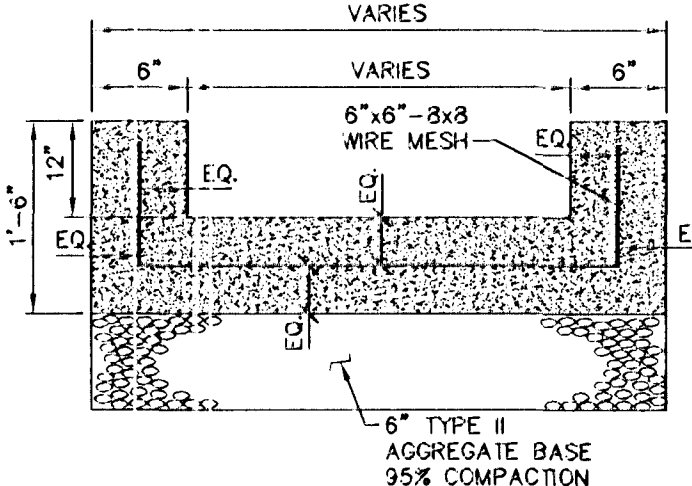
4 ON-SITE A.C. PAVEMENT SECTION
 SCALE: N/S



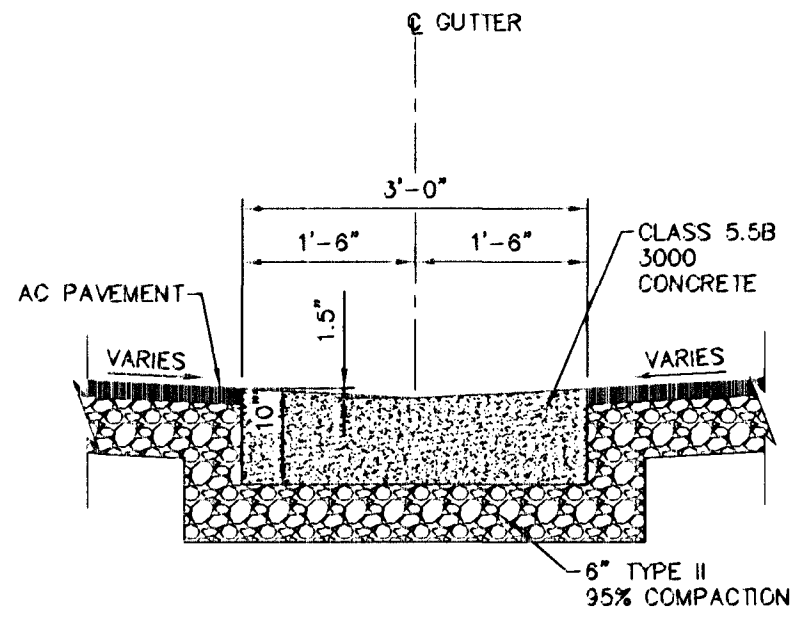
5 DEPRESSED CURB
 SCALE: N/S



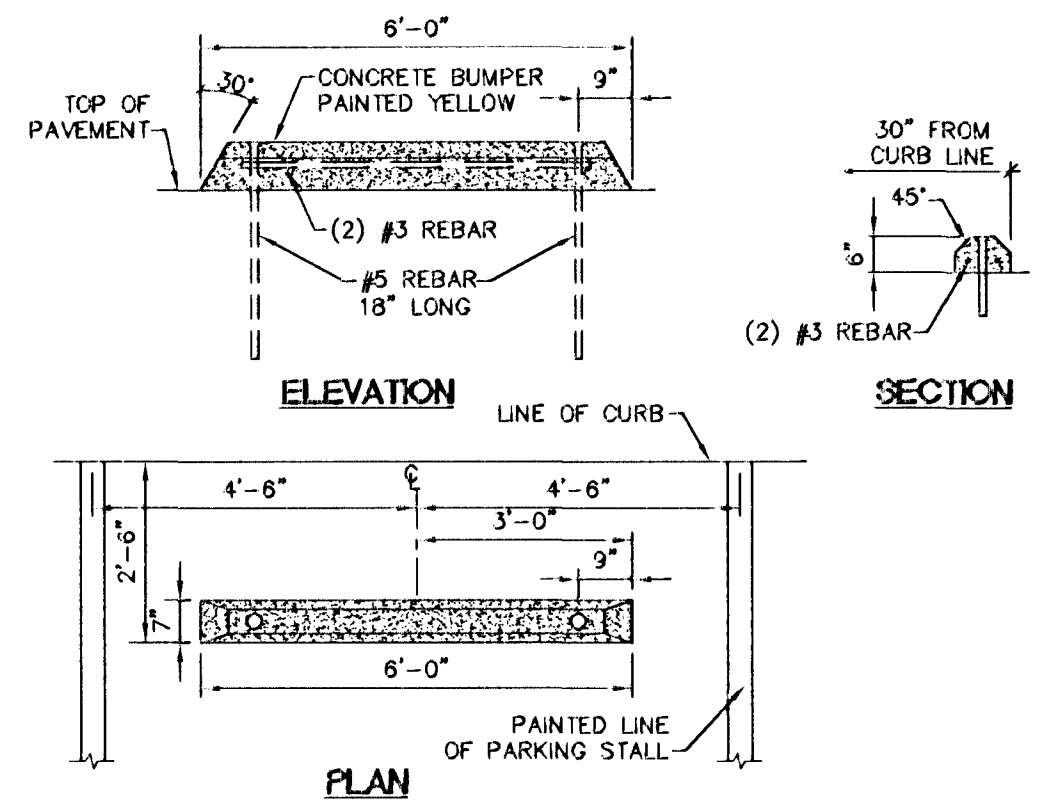
6 ONSITE SIDEWALK UNDERDRAIN
 PER USD DWG. No. 216 SCALE: N/S



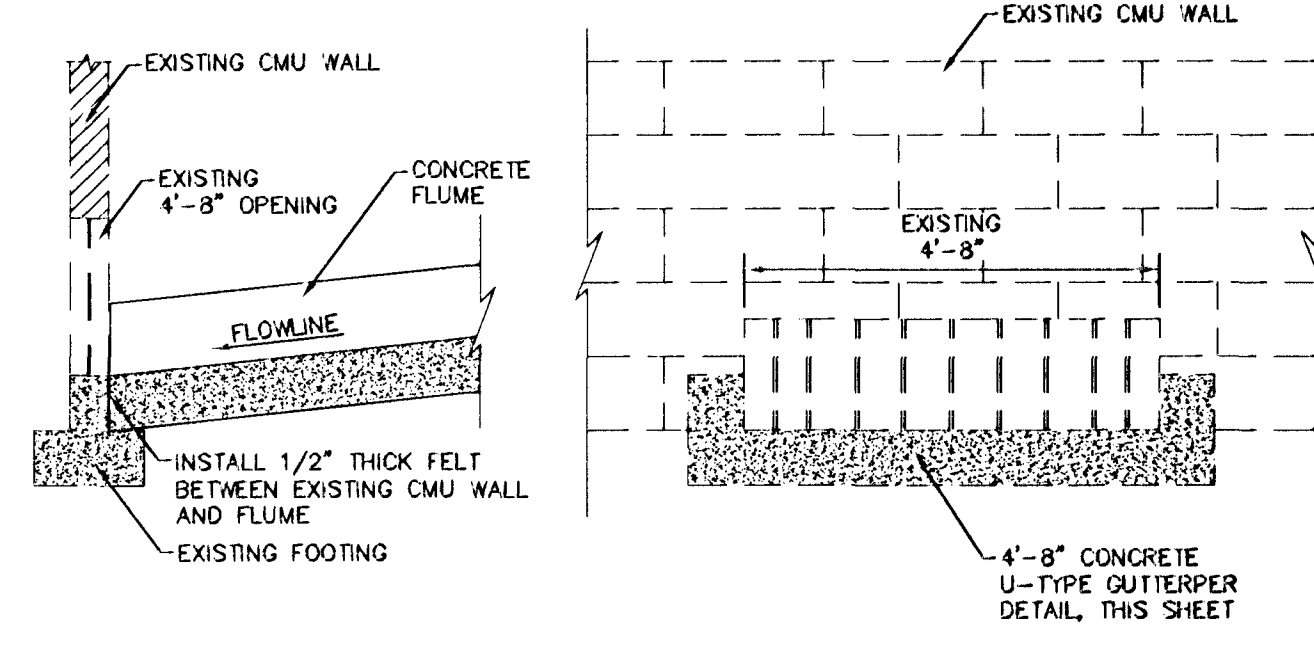
7 U-TYPE GUTTER
 SCALE: N/S



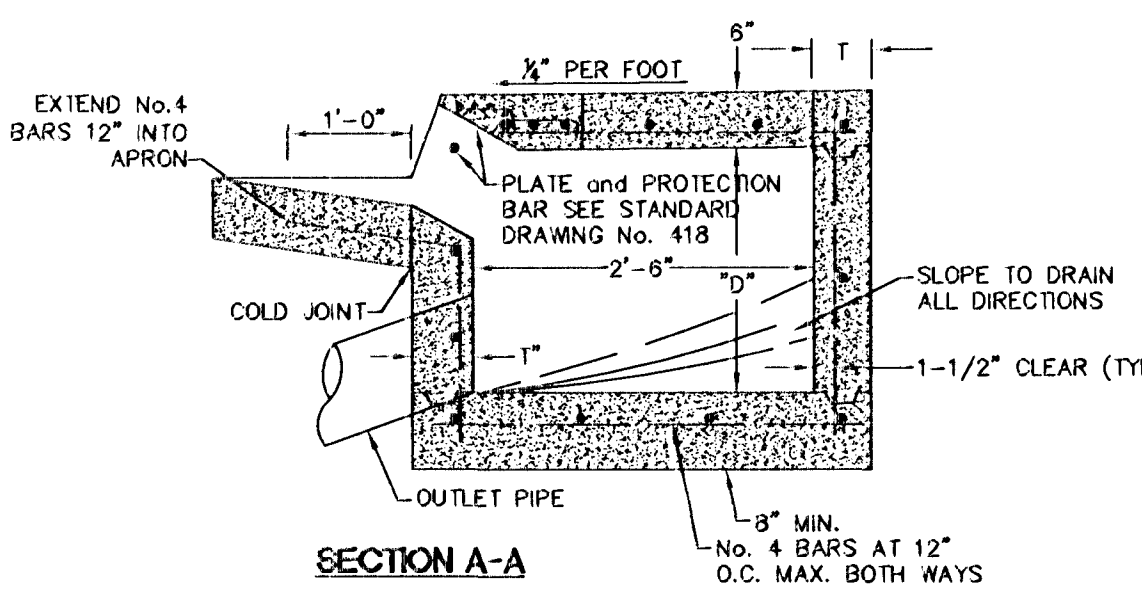
8 3' VALLEY GUTTER SECTION
 SCALE: N/S



9 CONCRETE BUMPER BLOCKS
 SCALE: N/S

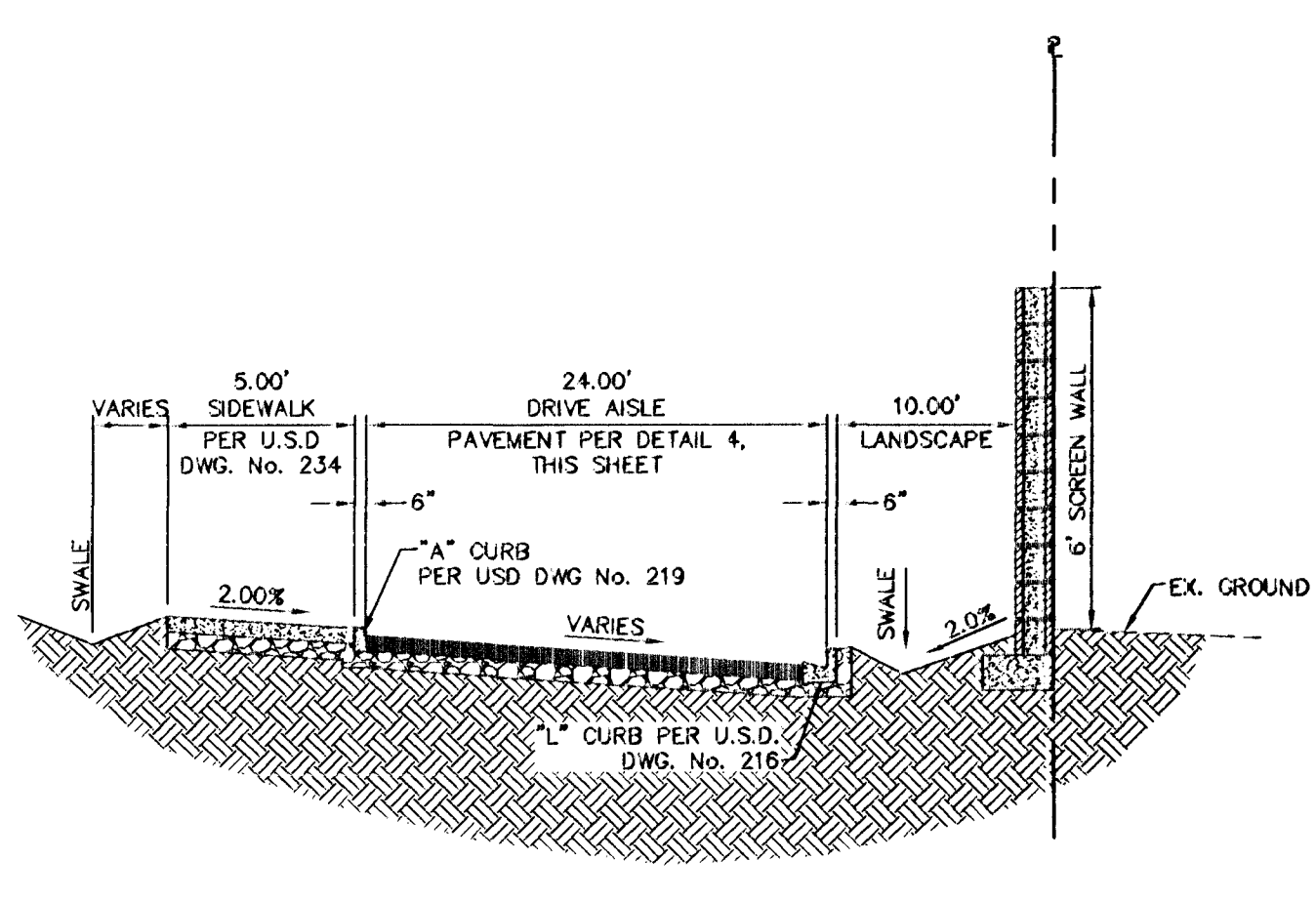
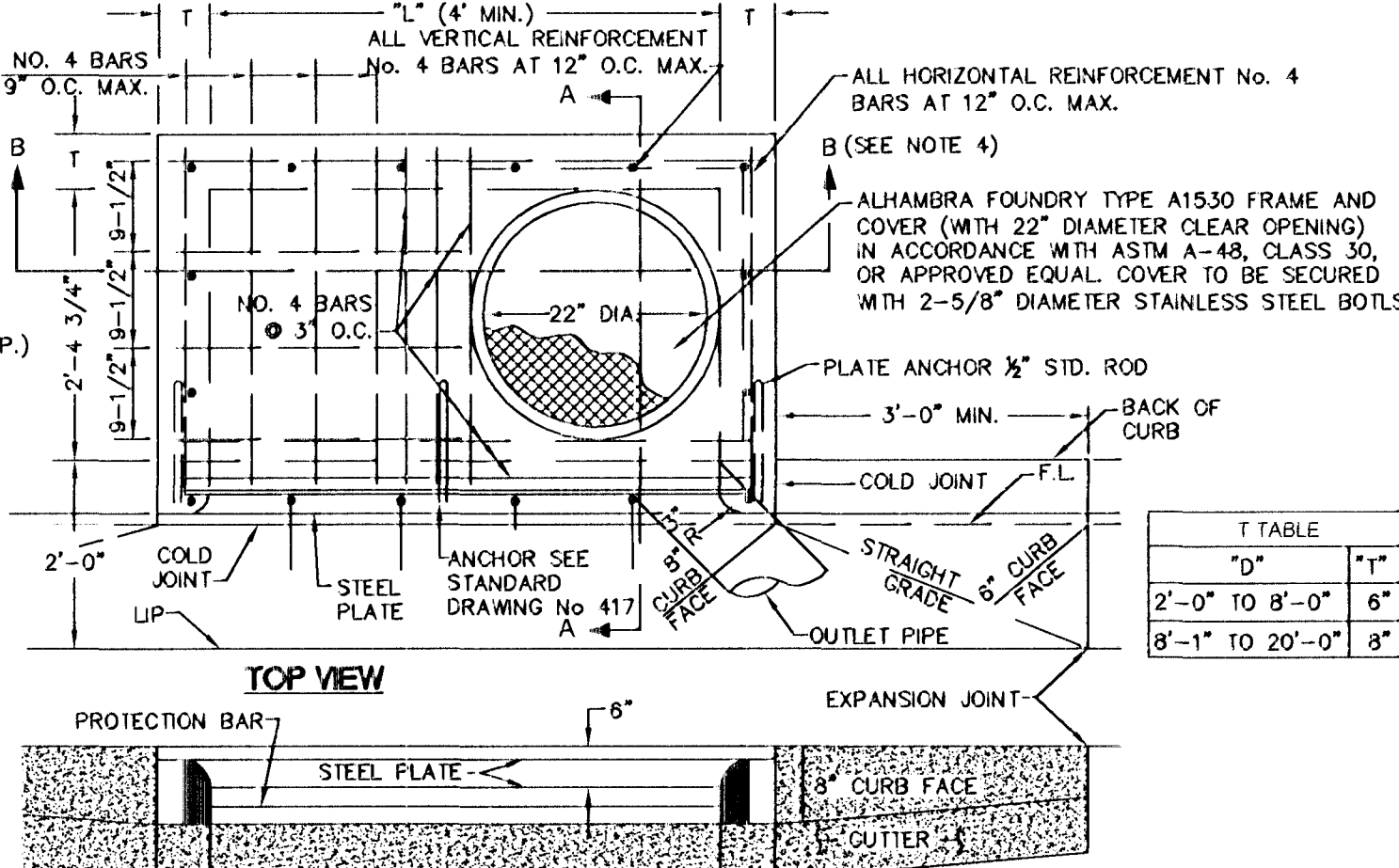


10 EXISTING BLOCKWALL OPENING DETAIL
 SCALE: N/S

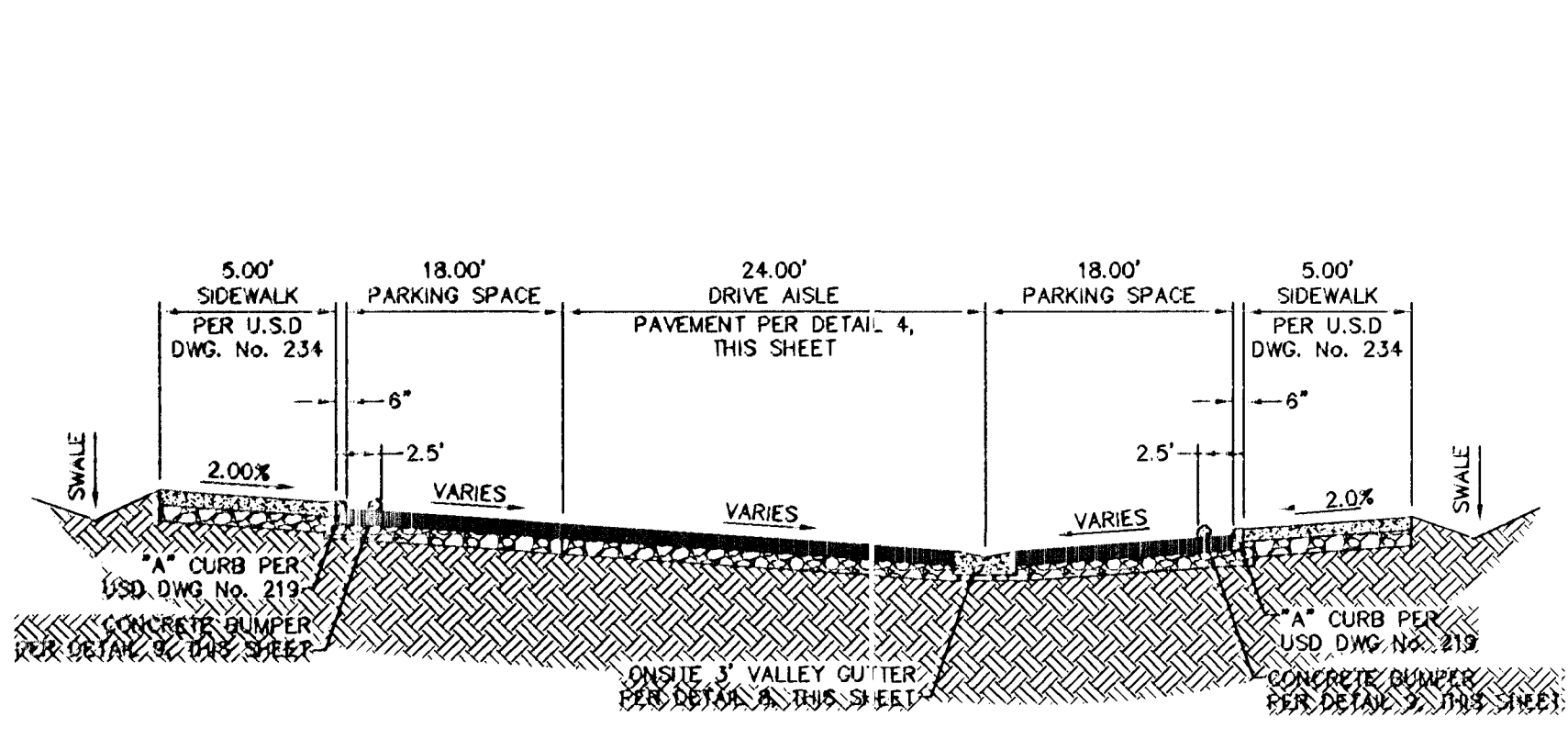


NOTES
 1. DEPTH "D" TO BE SHOWN ON PLANS.
 2. OUTLET PIPE SIZE TO BE SHOWN ON PLANS.
 3. OUTLET PIPE SHALL BE TRIMMED FLUSH WITH INSIDE FACE OF INLET.
 4. SECTION B-B IS OPTIONAL FOR INLETS WHERE L=7'-0" OR GREATER, AND D=5'-0" OR GREATER SEE STANDARD DRAWING No. 415.

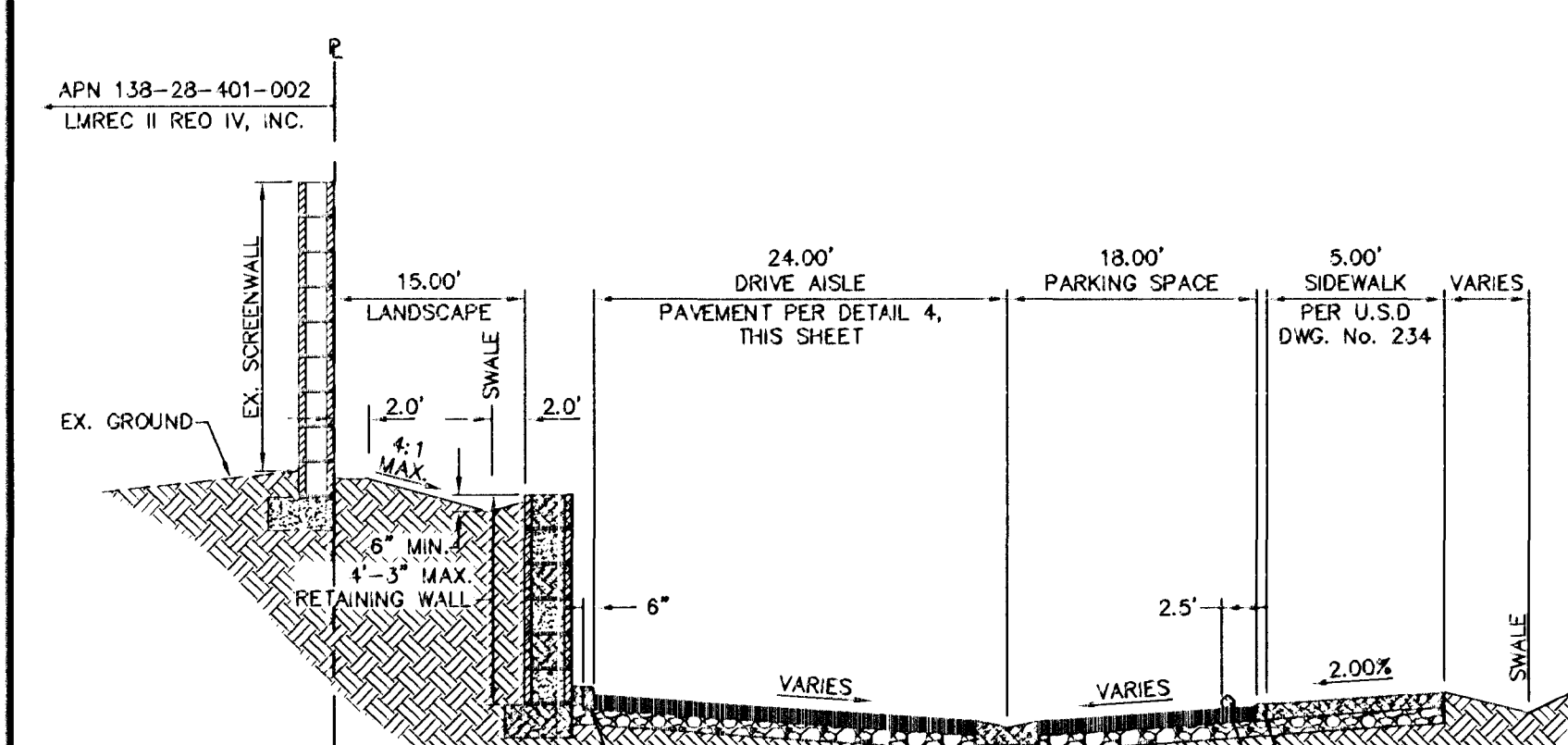
12 DROP INLET TYPE 'A'
 PER USD DWG. No. 411 SCALE: N/S



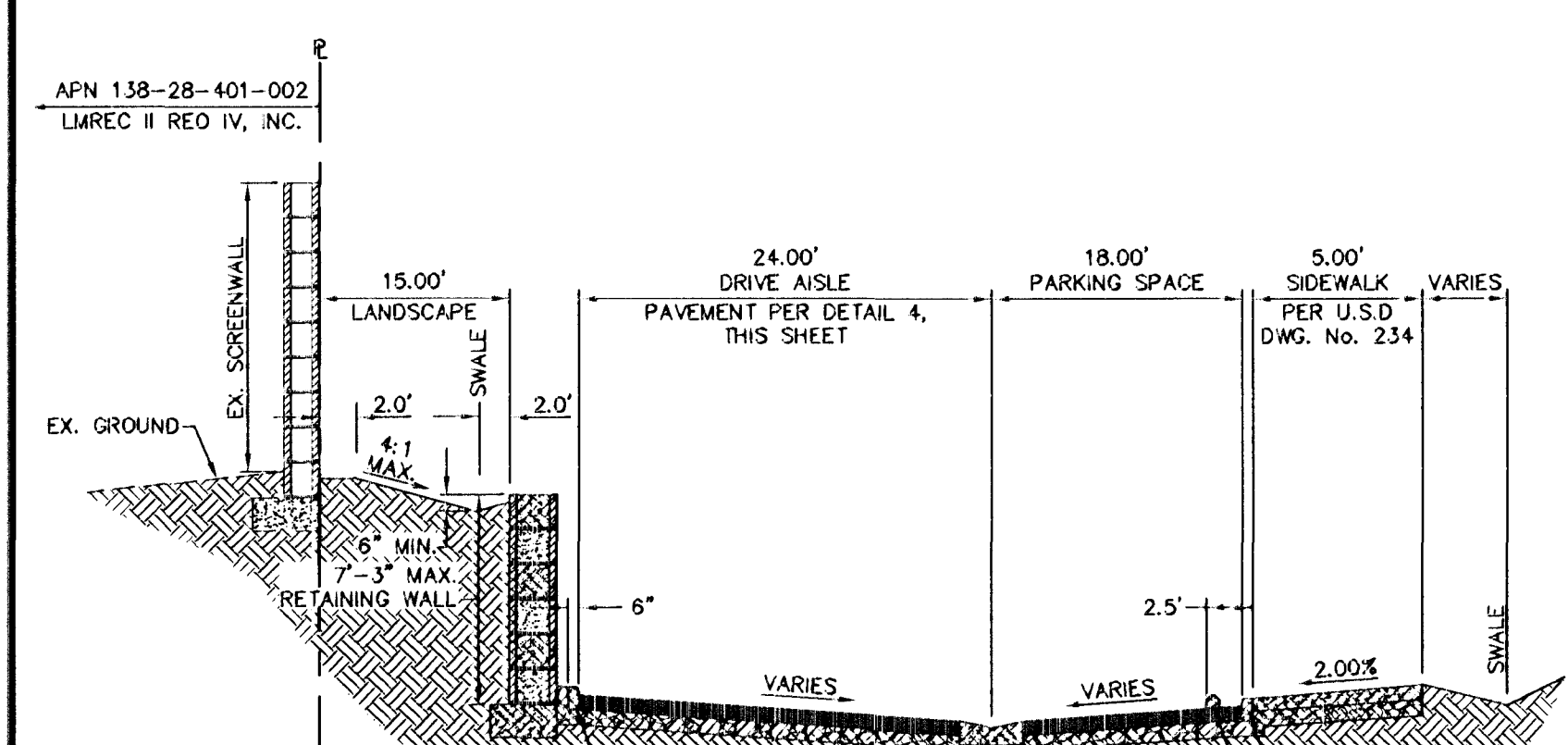
A SECTION
 SCALE: N/S



B SECTION
 SCALE: N/S



C SECTION
 SCALE: N/S



D SECTION
 SCALE: N/S

WALL NOTE:
 ALL RETAINING AND FENCE WALLS SHALL BE REVIEWED BY THE BUILDING DEPARTMENT. WALL PERMITS ARE ISSUED THROUGH THE BUILDING DEPARTMENT.

SOILS REPORT
 GEDTEK, INC. - NEVADA
 DATED FEBRUARY 3, 2011
 PROJECT No. 10251-LV6
 UPDATED: MARCH 12, 2012

| REV. NO. | REVISION DESCRIPTION | APPD. DATE | APPR. |
|----------|----------------------|------------|-------|
| | | | |
| | | | |

NEVADA HAND.
 1015 S. MAIN ST. SUITE 101
 LAS VEGAS, NEVADA 89101-4212
 TEL: (702) 739-3345 CONTACT: ROBERT FRIEDMAN

L.R. NELSON CONSULTING ENGINEERS, INC.
 6705 West Russell Road Suite 200
 Las Vegas, Nevada 89118
 (702) 790-7976
 (702) 901-2266 FAX

DETAILS SHEET 1

WESTCLIFF PINES 2
 ROLAND WILEY ROAD and SILVER SKY DRIVE
 CITY OF LAS VEGAS

| | |
|--------------|--------------|
| DRAWN BY: | April '12 |
| DESIGNED BY: | April '12 |
| CHECKED BY: | April '12 |
| PROJECT NO.: | N/A |
| SCALE: | 1/4" = 1'-0" |

SEAL
 PROFESSIONAL ENGINEER STATE OF NEVADA
 ROBERT FRIEDMAN
 No. 009893
 CIVIL
 6/11/12

SHEET DT1
 6 OF 20 SHEETS
 CLV DRAWING NO. 10251-292-2