

KEYNOTES

SHEETS A121 - A123

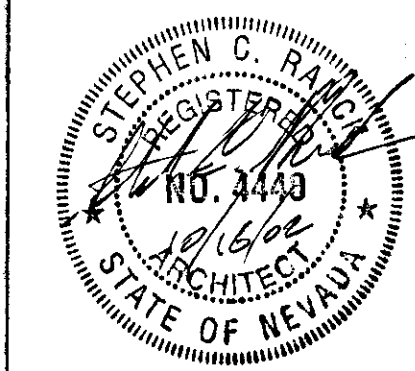
- 1 CONCRETE ROOF TILE
- 2 #30 FELT
- 3 PLYWOOD SHEATHING SEE STRUCT. DWGS.
- 4 PLYWOOD FASCIA
- 5 METAL SOFFIT PANEL
- 6 3/4" EXTERIOR CEMENT PLASTER ON METAL LATH O/ FELT PAPER ON PLYWOOD SHEATHING
- 7 2 x 6 WOOD STUDS
- 8 R19 BATT INSULATION
- 9 HEADER, SEE STRUCT.
- 10 HOLLOW METAL FRAME
- 11 SILL PLATE
- 12 CONCRETE FOOTING, SEE STRUCTURAL DRAWINGS
- 13 2x WOOD BLOCKING
- 14 4" x 4" CERAMIC TILE
- 15 2" x FRIEZE, PAINTED
- 16 8" x 8" x 16" STANDARD-FACE CMU, RUNNING BOND WITH SMOOTH JOINTS
- 17 CMU BOND BEAM - GROUT SOLID
- 18 SPLIT-FACE CMU
- 19 8" x 8" x 16" STANDARD CMU, GROUT SOILD
- 20 STEEL ANGLE LEDGER, INSTALL TO MATCH ROOF SLOPE, SEE STRUCT. DWGS.
- 21 METAL ROOF DECK
- 22 STEEL CANOPY FRAMING, SEE STRUCT. DWGS.
- 23 CONTINUOUS METAL FASCIA TO MATCH ROOF
- 24 TUBE STEEL FENCE ASSEMBLY
- 25 PERFORATED METAL SCREEN
- 26 TUBE STEEL COLUMN, SEE STRUCT. DWGS.
- 27 STANDING BEAM METAL ROOF
- 28 2" RIGID INSULATION
- 29 GUTTER
- 30 FRAMING AS REQUIRED
- 31 STEEL JOIST, SEE STRUCT. DWGS.
- 32 DOWNSPOUT
- 33 CONCRETE FLOOR SLAB
- 34 AC PAVING
- 35 1x WOOD BLOCKING
- 36 LIGHT FIXTURE
- 37 2x WOOD FRAMING
- 38 FREMANUFACTURED WOOD TRUSSES, SEE STRUCT.
- 39 ALUMINUM STOREFRONT SYSTEM
- 40 9" TALL ALUMINUM LETTERS
- 41 6-3/4" TALL ALUMINUM LETTERS
- 42 GLAZING
- 43 SIDEWALK, SEE CIVIL
- 44 GYP. BD. SOFFIT
- 45 ACOUSTICAL CEILING TILE
- 46 DUCTWORK, SEE MECH.
- 47 TUBE STEEL SHADE CANOPY
- 48 TJI JOISTS
- 49 5/8" GYP. BD.
- 50 TAPERED RIGID INSULATION, MINIMUM 2" THICK
- 51 SINGLE-FLY ROOFING
- 52 MEMBRANE FLASHING
- 53 45 DEGREE ANGLE, TYP.
- 54 PLASTER SCREED
- 55 LOUVER - SEE MECHANICAL
- 56 EXISTING FRAMING - VERIFY IN FIELD
- 57 EXISTING SHEATHING - VERIFY IN FIELD
- 58 EXISTING WALL FINISH - VERIFY IN FIELD
- 60 2 x FRAMING @ 16" O.C. TO FILL EXIST. ROUGH OPENING
- 61 GYP. BD. - COVER FILLED WINDOW OPENING, PATCH & FINISH TO MATCH EXIST.
- 62 ACOUST. BATT INSULATION
- 63 CONT. VAPOR BARRIER



REVISIONS
 08.30.02
 10.16.02

CONSULTANT
TATE SNYDER KIMSEY ARCHITECTS
 750 West Sahara Court, Henderson, Nevada 89011, PH: 702-488-3000, FAX: 702-488-3000
 www.tate-snyder-kimsey.com

DEPARTMENT OF PUBLIC WORKS
 CITY OF LAS VEGAS WEST SERVICE YARD
 BUFFALO DRIVE AND PEAK ROAD
 LAS VEGAS, NEVADA
 WALL SECTIONS

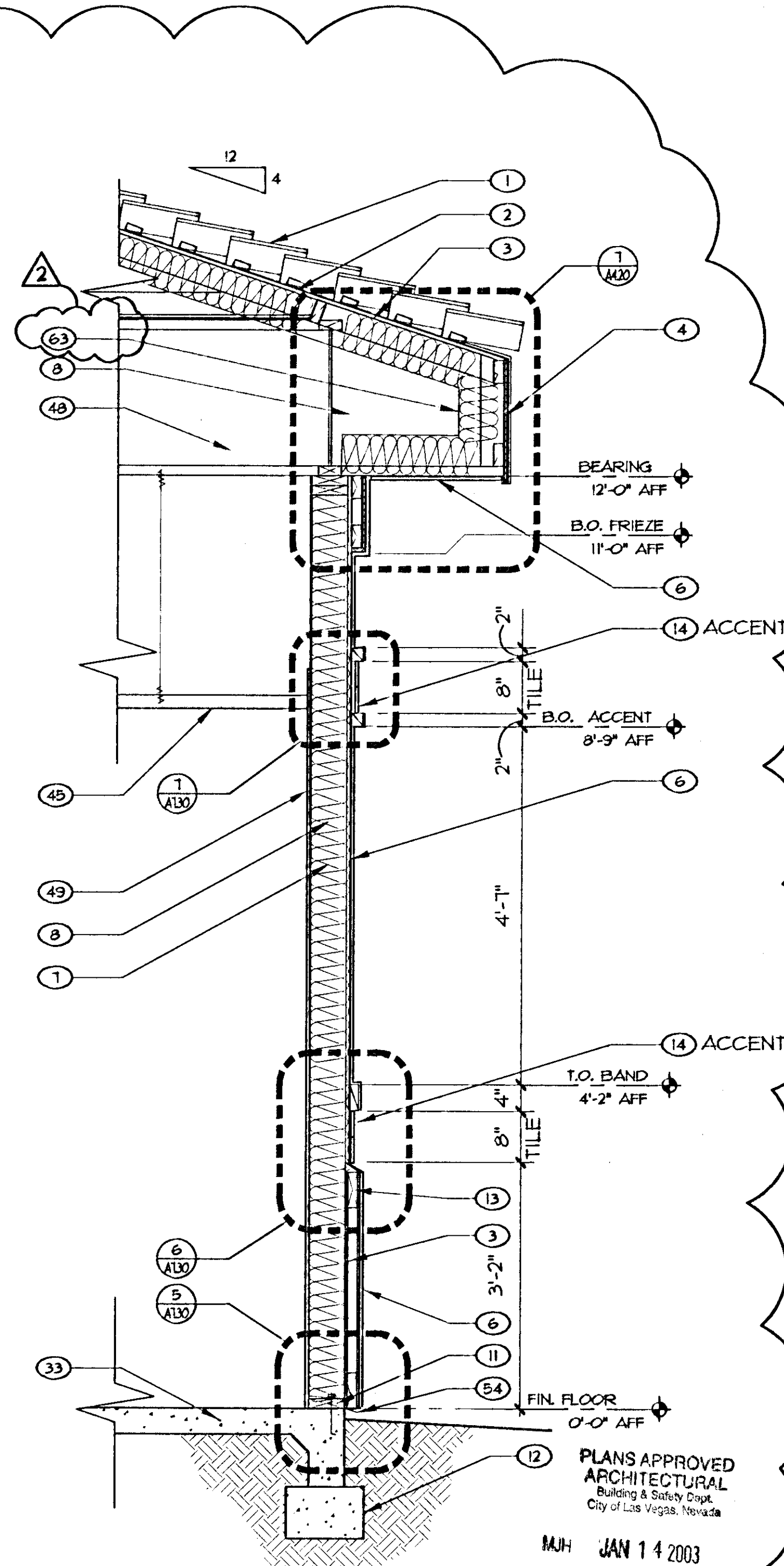


OWNER: CITY OF LAS VEGAS
 DEPARTMENT OF PUBLIC WORKS
 ARCHITECTURAL SERVICES

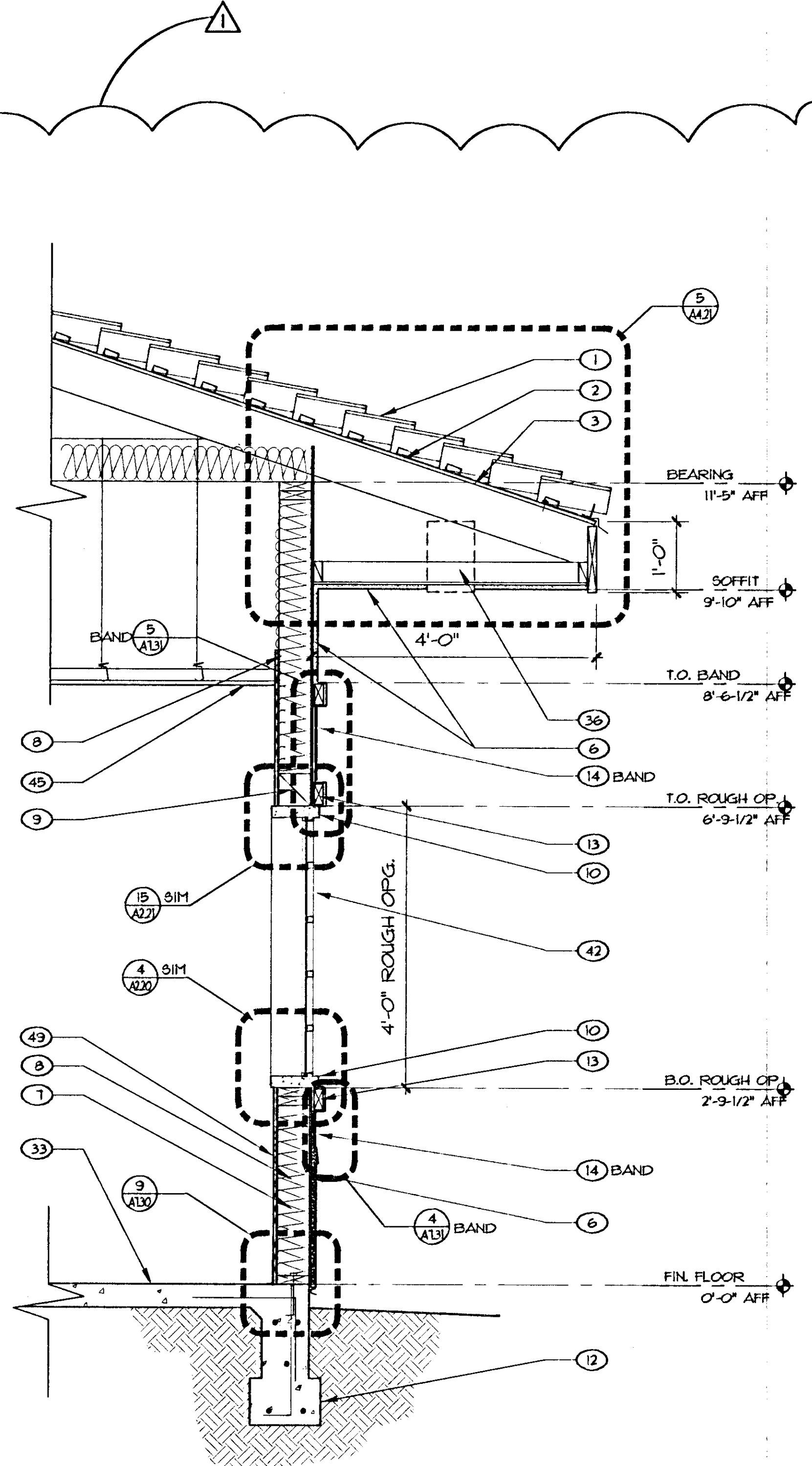
400 EAST STEWART AVENUE
 LAS VEGAS, NEVADA 89101
 PHONE: (702) 239-6838
 FAX: (702) 382-3232
 TDD: (702) 386-9108

DRAWN	WFE
DATE	08.30.02
SCALE	3/4" = 1'-0"
SHEET NO.	021534109
CLV. NO.	107-V3548

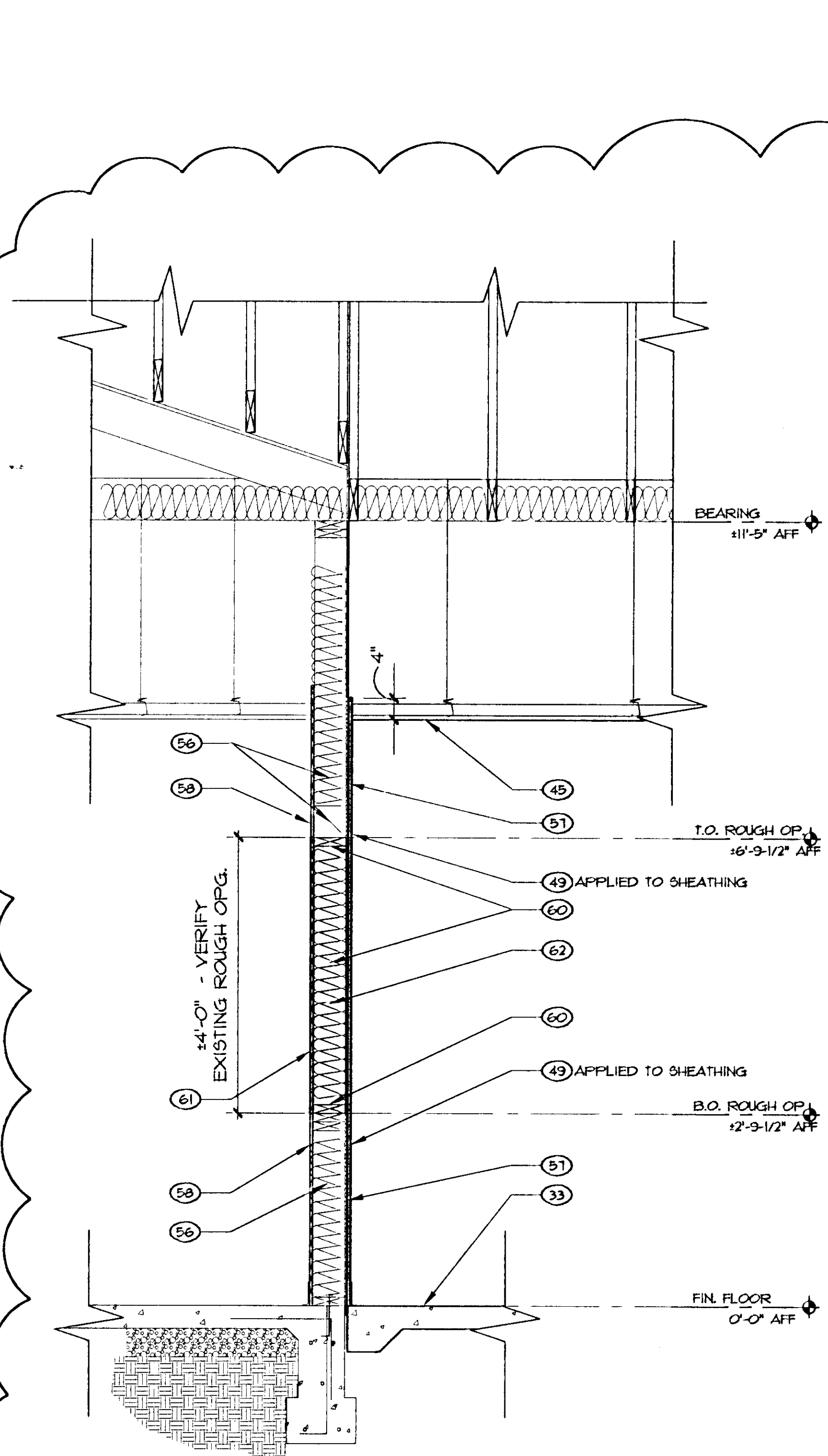
505198
 A7.23



**FIELD OPERATIONS CENTER
 TYPICAL WALL SECTION**
 SCALE: 3/4" = 1'-0"



**I.T. CONTINGENCY ADDITION
 WALL SECTION @ OPENING**
 SCALE: 3/4" = 1'-0"



**I.T. CONTINGENCY ADDITION
 WALL SECTION**
 SCALE: 3/4" = 1'-0"

