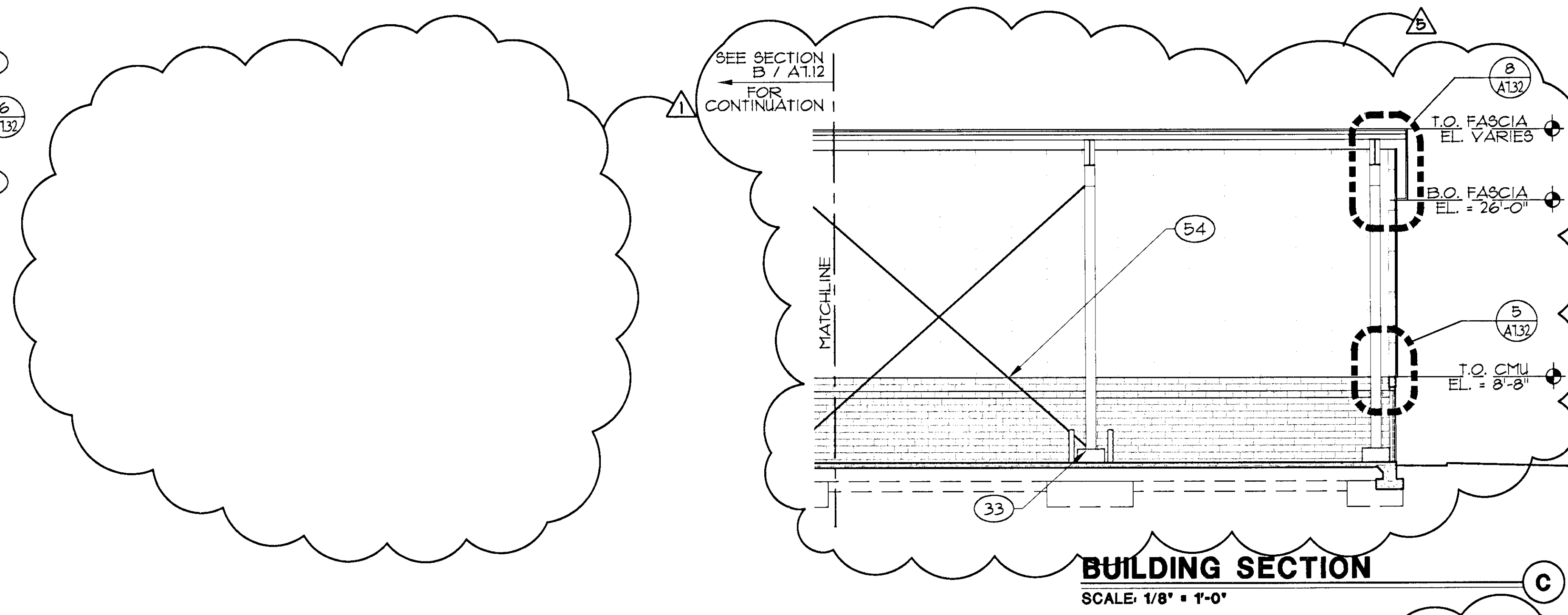
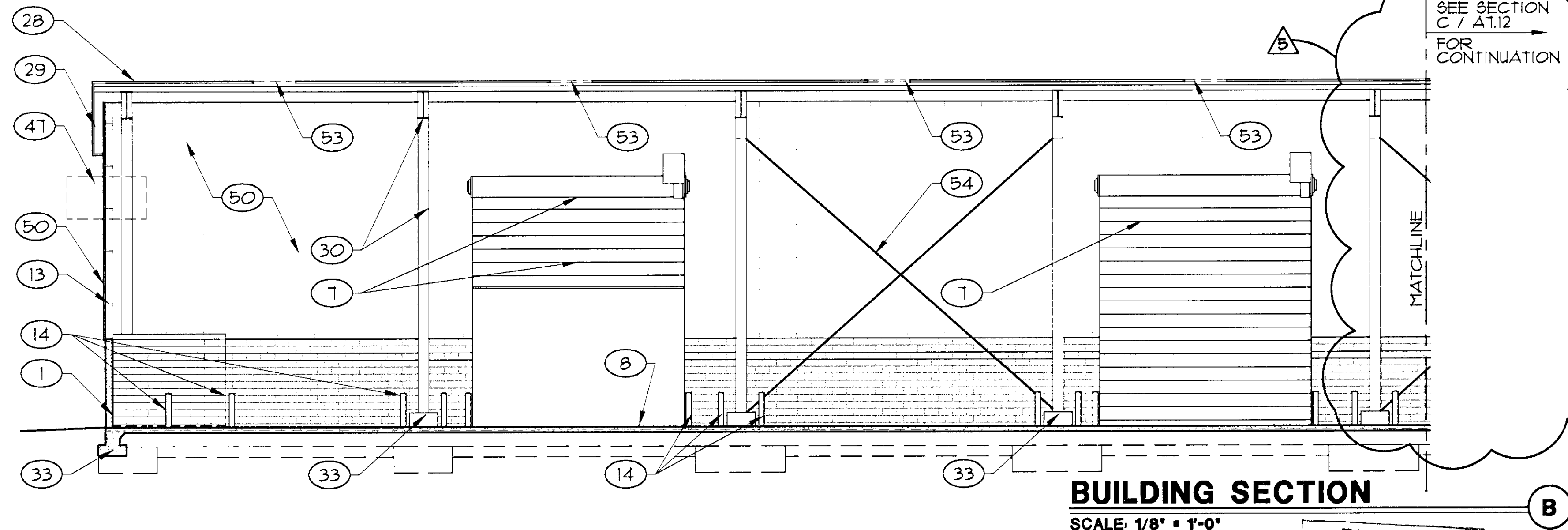


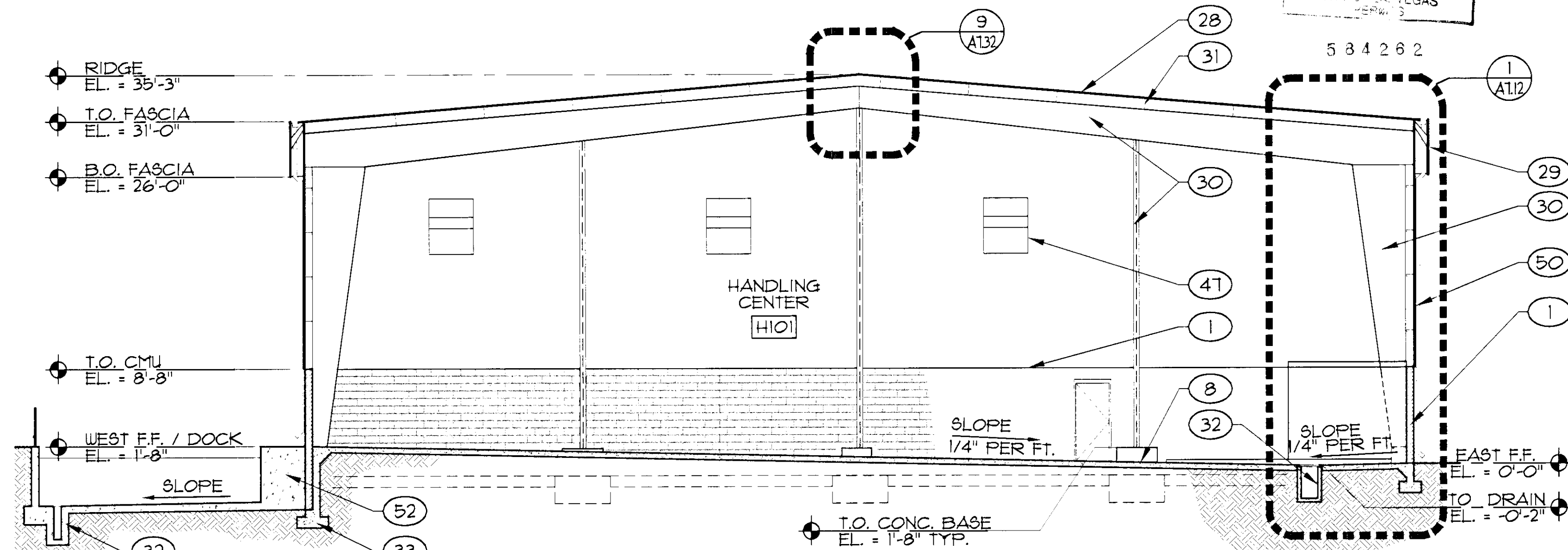
WALL SECTION
SCALE: 3/4" = 1'-0"



BUILDING SECTION
SCALE: 1/8" = 1'-0"



BUILDING SECTION
SCALE: 1/8" = 1'-0"



BUILDING SECTION
SCALE: 1/8" = 1'-0"

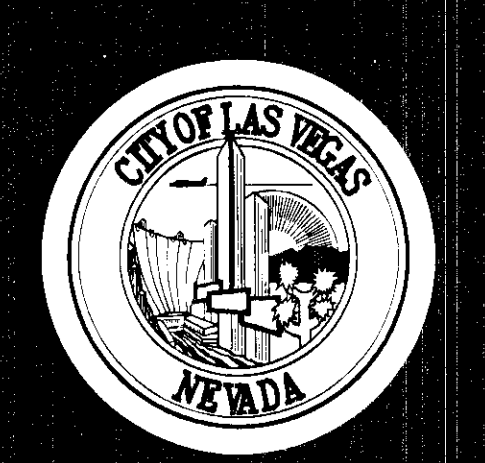
KEYNOTES
SHEETS A1.11 - A1.15, A1.23

- 1 CMU WALL
- 2 STANDING SEAM METAL ROOF
- 3 STANDING SEAM FASCIA PANEL
- 4 GUTTER
- 5 DUCT, SEE MECH. DWGS.
- 6 STEEL JOIST, SEE STRUCT. DWGS.
- 7 OVERHEAD DOOR
- 8 CONCRETE FLOOR SLAB, SEE STRUCT. DWGS.
- 9 METAL DECK, SEE STRUCT. DWGS.
- 10 STEEL BEAM
- 11 TUBE STEEL
- 12 EVAPORATIVE COOLER, SEE MECH. DWGS.
- 13 SIDEWALL GIRT, SEE STRUCT. DWGS.
- 14 8" DIA. STEEL BOLLARD
- 15 CONCRETE ROOF TILE
- 16 #30 ROOF FELT
- 17 PLYWOOD SHEATHING
- 18 PREFABRICATED ROOF TRUSSES
- 19 R-19 BATT INSULATION
- 20 SUSPENDED ACOUSTICAL TILE SYSTEM
- 21 1-1/2" DIA. PIPE RAIL, PTD. SEE A2.01 FOR COLOR
- 22 CONCRETE STAIRS
- 23 EXISTING STRUCTURE (SHOWN LIGHT)
- 24 EXISTING CONC. SLAB (SHOWN LIGHT)
- 25 EXISTING CEILING
- 26 SUSPENDED GYP. BD. SOFFIT
- 27 TOOLED NOBING, TYP.
- 28 METAL ROOF PANELS
- 29 METAL FASCIA PANEL, TO MATCH ROOF
- 30 PREFABRICATED STEEL FRAME, SEE STRUCT. DWGS.
- 31 PURLIN
- 32 TRENCH DRAIN
- 33 CONC. FOOTING, SEE STRUCT.
- 34 TS 6 x 6, PTD. COLOR B
- 35 TS 8 x 8, PTD. COLOR B
- 36 TS 6 x 2, PTD. COLOR B
- 37 TS 10 x 6, PTD. COLOR B
- 38 SQUARE CONC. PIER BELOW
- 39 2 x 8 WALL BELOW
- 40 GYP. BD. SOFFIT
- 41 ALUMINUM STOREFRONT SYSTEM
- 42 TAPERED RIGID INSULATION
- 43 SINGLE-PLY ROOFING
- 44 TJI ROOF JOIST, SEE STRUCT.
- 45 WOOD BEAM - SEE STRUCT.
- 46 A/C UNIT - SEE MECHANICAL
- 47 EXHAUST FAN - SEE MECH.
- 48 EXTERIOR CEMENT PLASTER
- 49 2x6 WOOD FRAMING
- 50 PREFABRICATED METAL WALL PANEL, INSULATED
- 51 DOWNSPOUT
- 52 CONC. LOADING DOCK, SEE STRUCT.
- 53 TRANSLUCENT ROOF PANEL BY BLDG. MANUFACTURER, SEE ROOF PLAN A1.12
- 54 BRACING, SEE STRUCT.
- 55 LIGHT FIXTURE
- 56 RAMP BEYOND
- 57 CONT. VAPOR BARRIER

RECEIVED
MAR 18 2003
CITY OF LAS VEGAS
534262

PLANS APPROVED
ARCHITECTURAL
Licensing & Registration
Division
MAY 20 2003

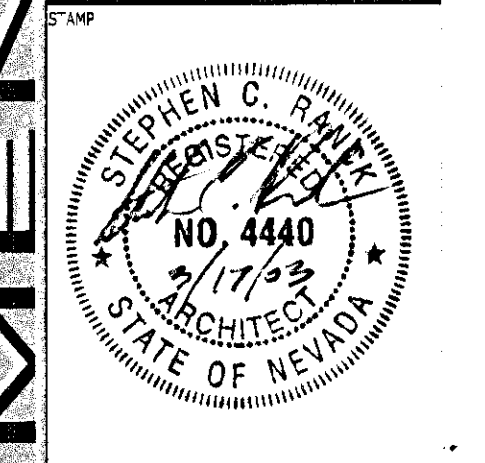
APPROVAL IS FOR CLOUDED AREAS OR LATEST REVISIONS ONLY. SEE ORIGINALS FOR OTHER REQUIREMENTS.



REVISIONS
A 08.30.03
B 03.14.03

CONSULTANT
ARCHITECTS
TATE SNYDER KIMSEY
700 Main Street Henderson, Nevada 89014 PH: 702 486 3000 FAX: 702 486 1070
1000 West Sahara Avenue, Suite 100 Las Vegas, NV 89106 PH: 702 486 1070 FAX: 702 486 1070

CITY OF LAS VEGAS
DEPARTMENT OF PUBLIC WORKS
BUFFALO DRIVE AND PEAK ROAD
LAS VEGAS, NEVADA
BUILDING SECTIONS
MATERIALS HANDLING BUILDING



OWNER: CITY OF LAS VEGAS
DEPARTMENT OF PUBLIC WORKS
ARCHITECTURAL SERVICES

400 EAST STEWART AVENUE
LAS VEGAS, NEVADA 89101
PHONE: (702) 229-6535
FAX: (702) 382-3232
TDD: (702) 386-9108

DRAWN: WFE
FILE: 047A712
DATE: 03/14/03
SCALE: VARIES
REV NO: 02/15/03
CLYING NO: 101-V3548

A7.12