



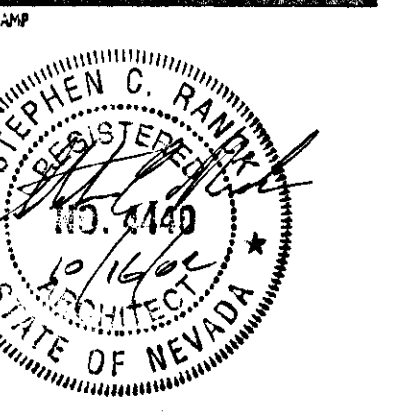
**KEYNOTES**  
SHEETS A7.11 - A7.15, A123

- 1 CMU WALL
- 2 STANDING BEAM METAL ROOF
- 3 STANDING BEAM FASCIA PANEL
- 4 GUTTER
- 5 DUCT, SEE MECH. DWGS.
- 6 STEEL JOIST, SEE STRUCT. DWGS.
- 7 OVERHEAD DOOR
- 8 CONCRETE FLOOR SLAB, SEE STRUCT. DWGS.
- 9 METAL DECK, SEE STRUCT. DWGS.
- 10 STEEL BEAM, SEE STRUCT. DWGS.
- 11 TUBE STEEL, SEE STRUCT. DWGS.
- 12 EVAPORATIVE COOLER, SEE MECH. DWGS.
- 13 SIDEWALL GIRT, SEE STRUCT. DWGS.
- 14 8" DIA. STEEL BOLLARD
- 15 CONCRETE ROOF TILE
- 16 30 ROOF FELT
- 17 PLYWOOD SHEATHING
- 18 PREFABRICATED ROOF TRUSSES
- 19 R-19 BATT INSULATION
- 20 SUSPENDED ACOUSTICAL TILE SYSTEM
- 21 1-1/2" DIA. PIPE RAIL, PTD. SEE A201 FOR COLOR
- 22 CONCRETE STAIRS
- 23 EXISTING STRUCTURE (SHOWN LIGHT)
- 24 EXISTING CONC. SLAB (SHOWN LIGHT)
- 25 EXISTING CEILING
- 26 SUSPENDED GYP. BD. SOFFIT
- 27 TOOLED NOSING, TYP.
- 28 METAL ROOF PANELS
- 29 METAL FASCIA PANEL, TO MATCH ROOF
- 30 PREFABRICATED STEEL FRAME, SEE STRUCT. DWGS.
- 31 FURLIN
- 32 TRENCH DRAIN
- 33 CONC. FOOTING, SEE STRUCT.
- 34 T8 6 x 6, PTD. COLOR B
- 35 T8 8 x 8, PTD. COLOR B
- 36 T8 6 x 2, PTD. COLOR B
- 37 T8 10 x 6, PTD. COLOR B
- 38 SQUARE CONC. PIER BELOW
- 39 2 x 8 WALL BELOW
- 40 GYP. BD. SOFFIT
- 41 ALUMINUM STOREFRONT SYSTEM
- 42 TAPERED RIGID INSULATION
- 43 SINGLE-PLY ROOFING
- 44 TJI ROOF JOIST, SEE STRUCT.
- 45 WOOD BEAM - SEE STRUCT.
- 46 A/C UNIT - SEE MECHANICAL
- 47 EXHAUST FAN - SEE MECH.
- 48 EXTERIOR CEMENT PLASTER
- 49 2x6 WOOD FRAMING
- 50 PREFABRICATED METAL WALL PANEL, INSULATED
- 51 DOWNSPOUT
- 52 CONC. LOADING DOCK, SEE STRUCT.
- 53 TRANSLUCENT ROOF PANEL BY BLDG. MANUFACTURER, SEE ROOF PLAN A112
- 54 BRACING, SEE STRUCT.
- 55 LIGHT FIXTURE
- 56 RAMP BEYOND
- 57 CONT. VAPOR BARRIER

REVISIONS  
 083002  
 101602

CONSULTANT  
**TATE SNYDER KIMSEY ARCHITECTS**  
 700 Main Street, Henderson, Nevada 89015, P.O. Box 488, 3020 Main Street, Las Vegas, NV 89102  
 Phone: (702) 252-6338 Fax: (702) 382-3232  
 Website: www.tskarch.com

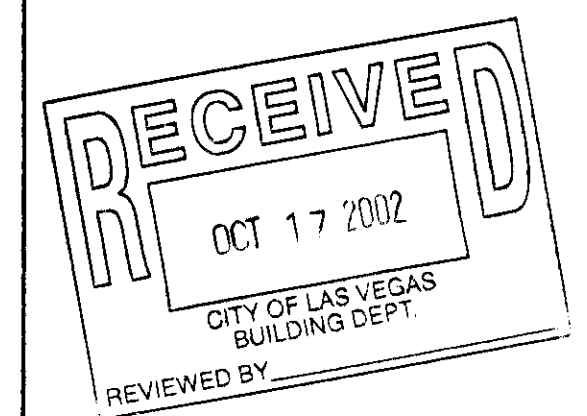
**DEPARTMENT OF PUBLIC WORKS**  
 CITY OF LAS VEGAS WEST SERVICE YARD  
 BUFFALO DRIVE AND PEAK ROAD  
 LAS VEGAS, NEVADA  
 BUILDING SECTIONS  
 FIELD OPERATIONS BUILDING



OWNER: CITY OF LAS VEGAS  
 DEPARTMENT OF PUBLIC WORKS  
 ARCHITECTURAL SERVICES

400 EAST STEWART AVENUE  
 LAS VEGAS, NEVADA 89101  
 PHONE: (702) 229-6338  
 FAX: (702) 382-3232  
 TDD: (702) 386-9108

DRAWN	LFE
FILE	047A711
DATE	083002
SCALE	1/4" = 1'-0"
REV NO	02.15341.09
REV DESC NO	101-V3548

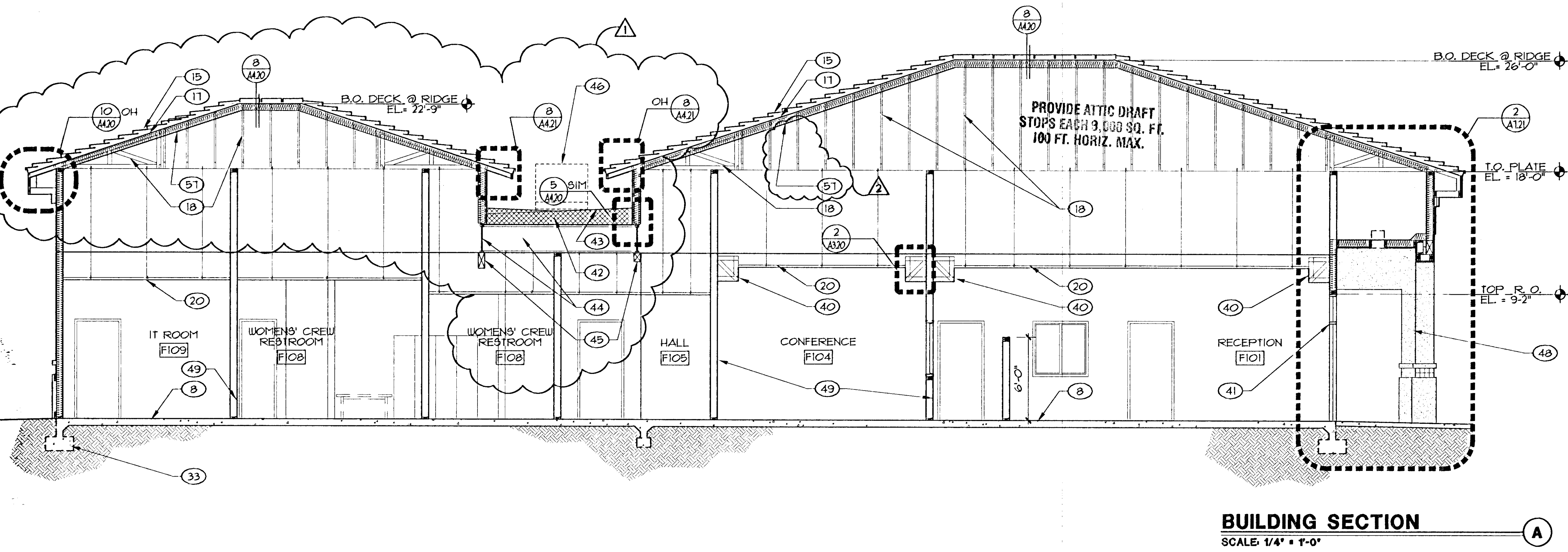
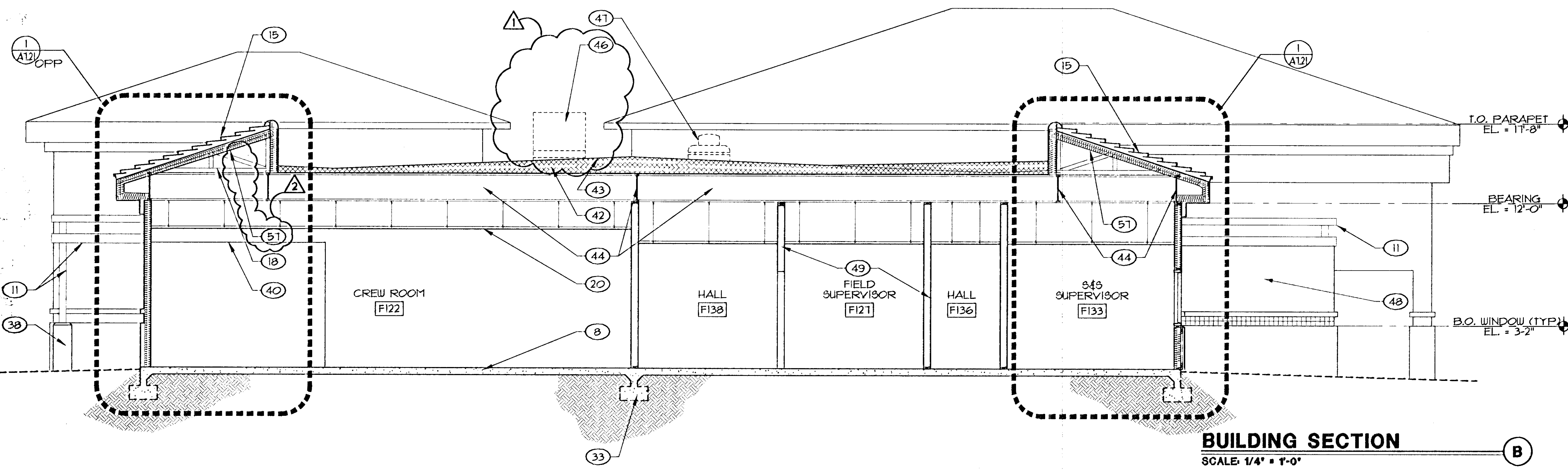


505188  
 PLANS APPROVED  
 ARCHITECTURAL  
 Building & Safety Dept.  
 City of Las Vegas, Nevada

MJH JAN 14 2003

Does Not Include Structural, Electrical, Plumbing, Mechanical or Civil Work  
 Inspections will Make No Change  
 Without Approval Plan is  
 Not a Part of the Building Code

A7.11



DEPARTMENT OF PUBLIC WORKS  
 CITY OF LAS VEGAS WEST SERVICE YARD  
 BUFFALO DRIVE AND PEAK ROAD  
 LAS VEGAS, NEVADA  
 BUILDING SECTIONS  
 FIELD OPERATIONS BUILDING