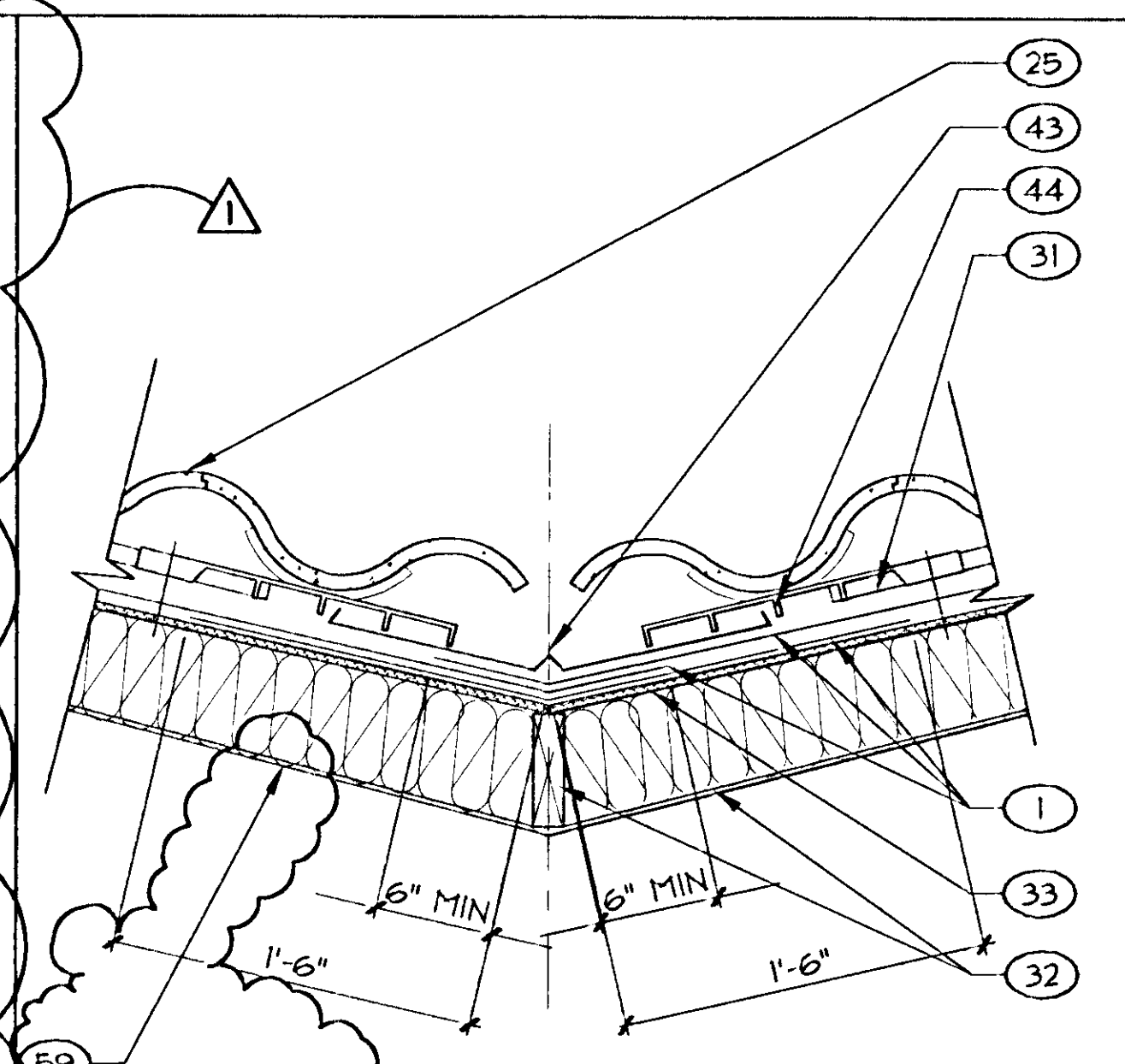
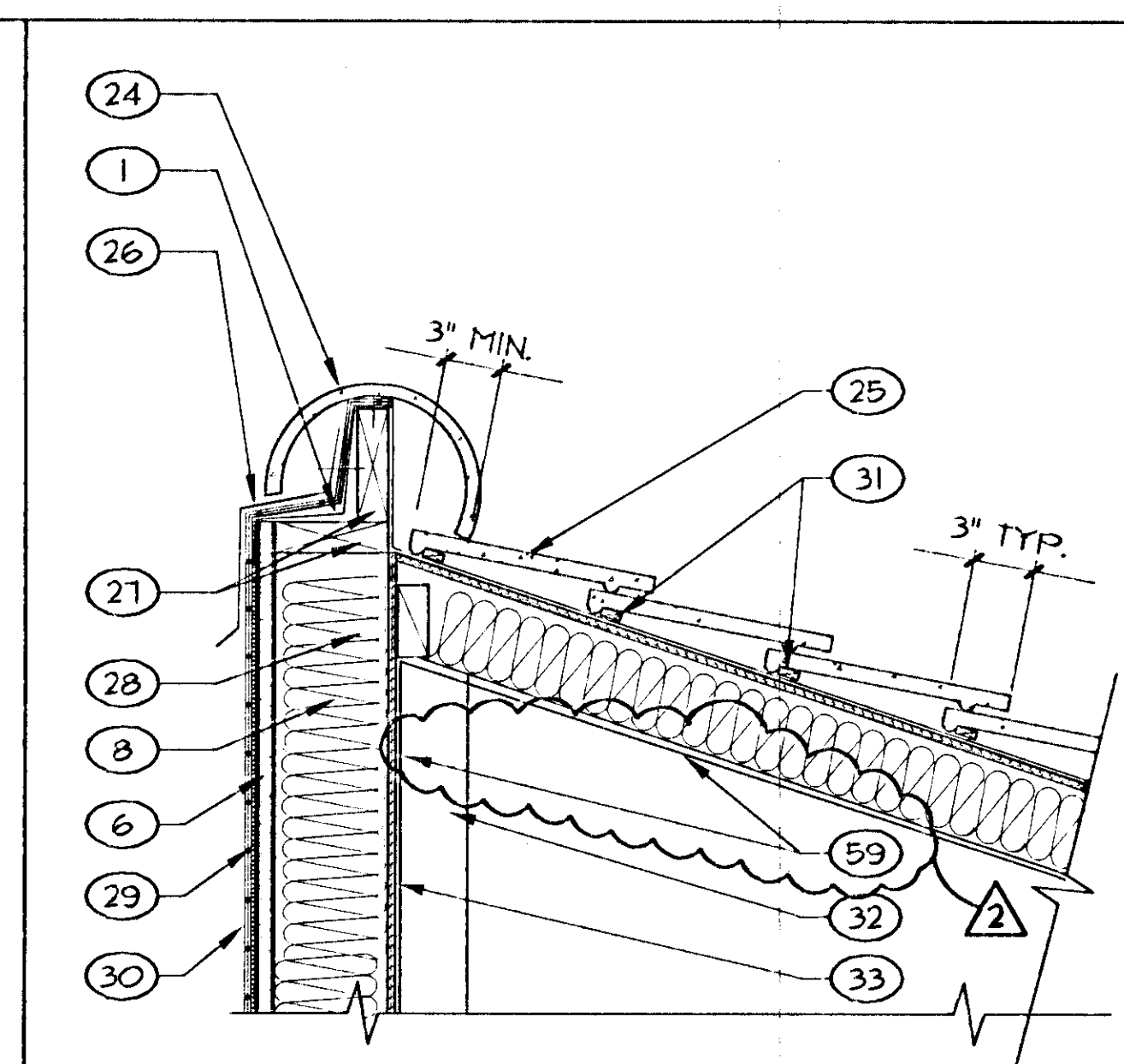


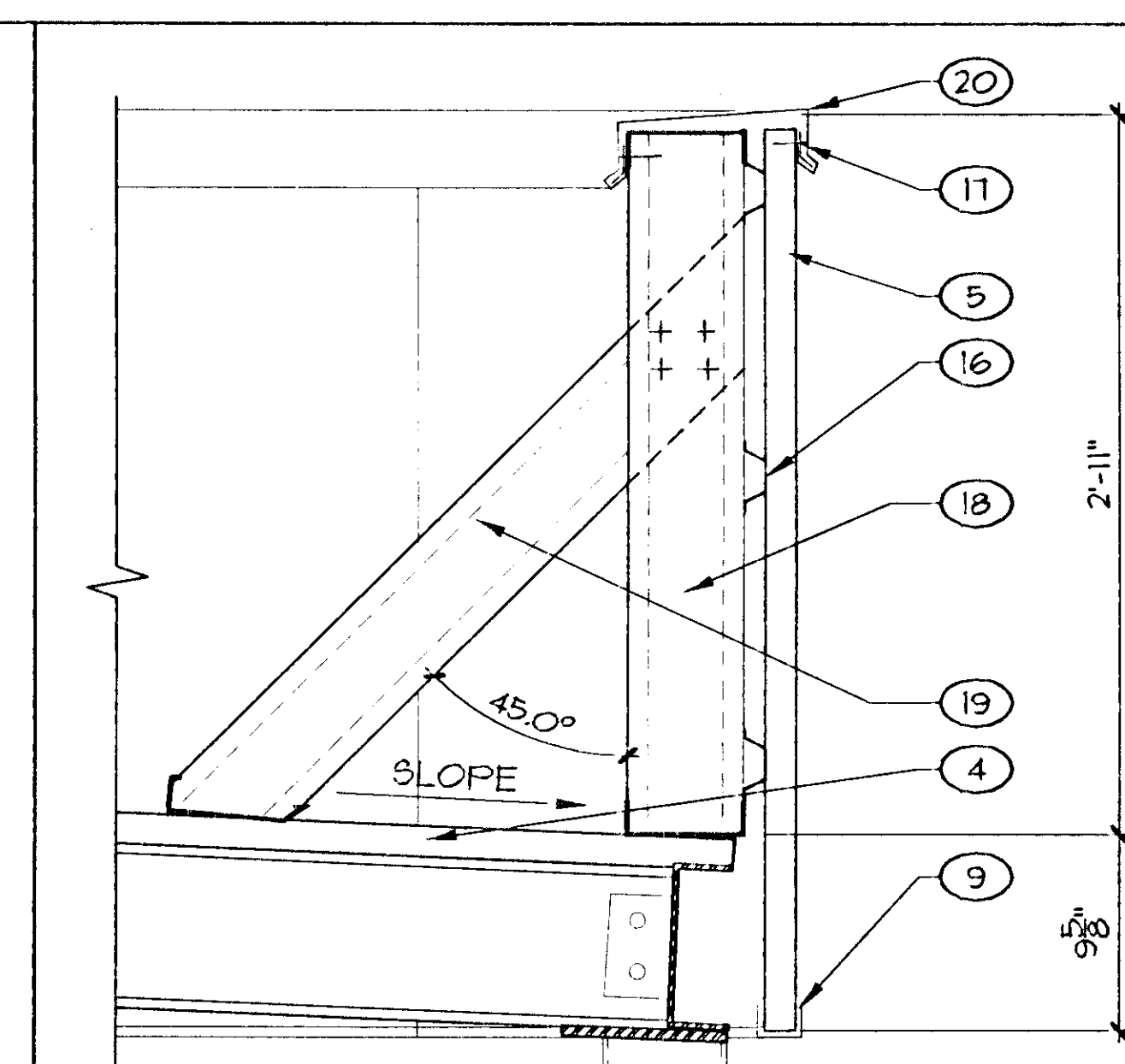
**STANDING SEAM ROOF  
TYP. PENETRATION / CURB** 12  
SCALE: 3" = 1'-0"



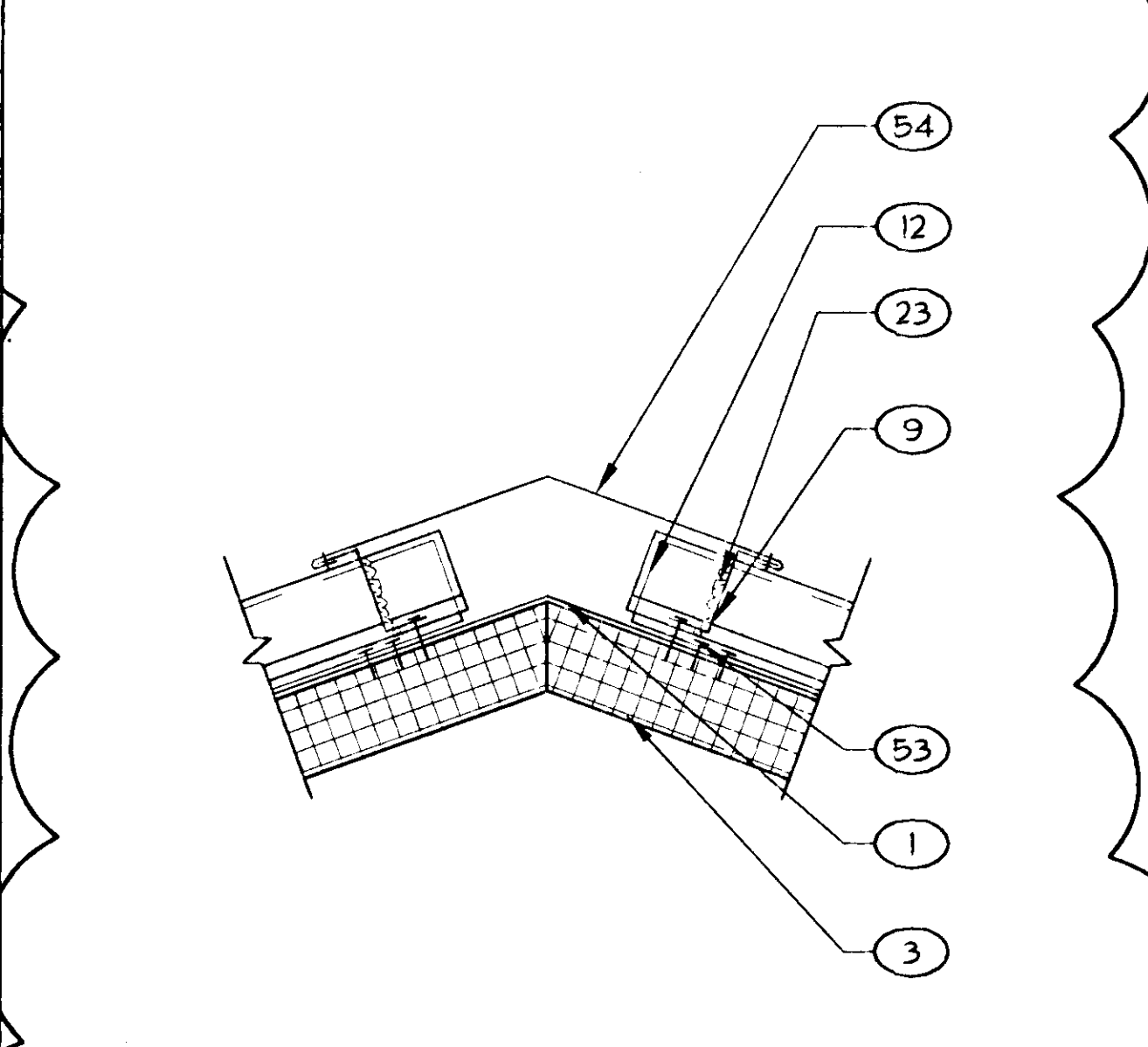
**TILE ROOF VALLEY** 9  
SCALE: 1-1/2" = 1'-0"



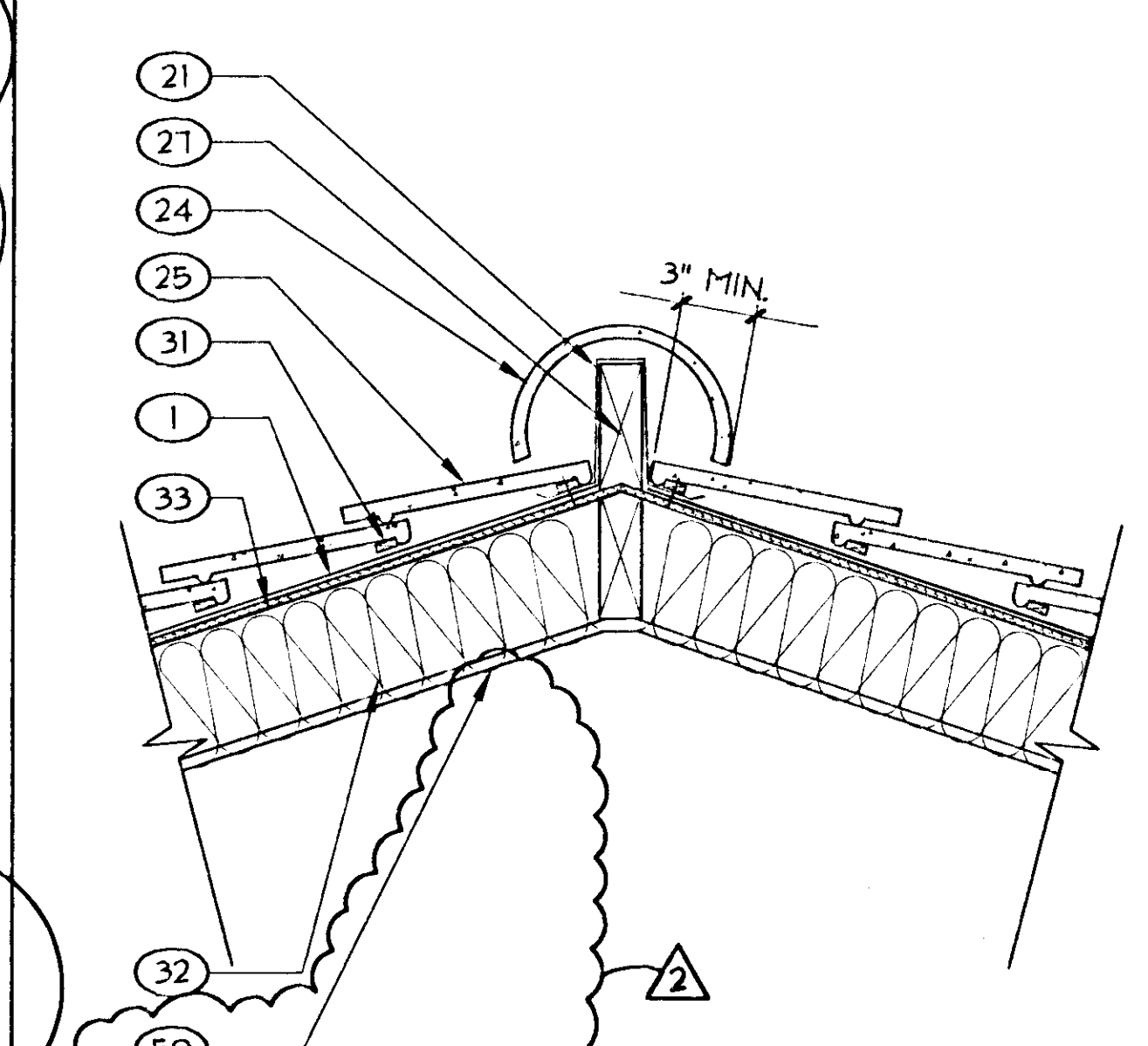
**TILE ROOF RIDGE @  
PARAPET WALL** 6  
SCALE: 1-1/2" = 1'-0"



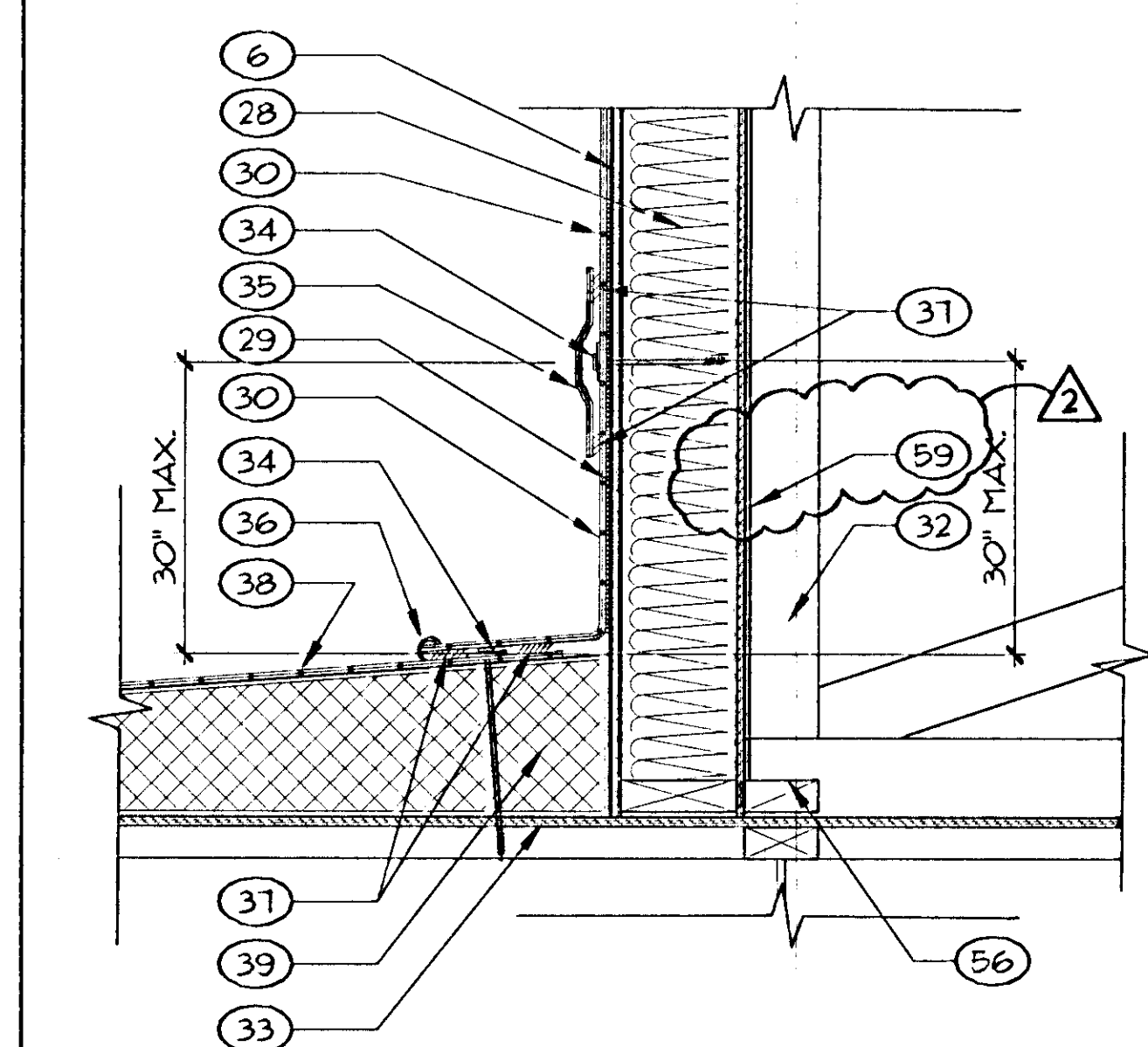
**CANOPY FASCIA DETAIL** 3  
SCALE: 1-1/2" = 1'-0"



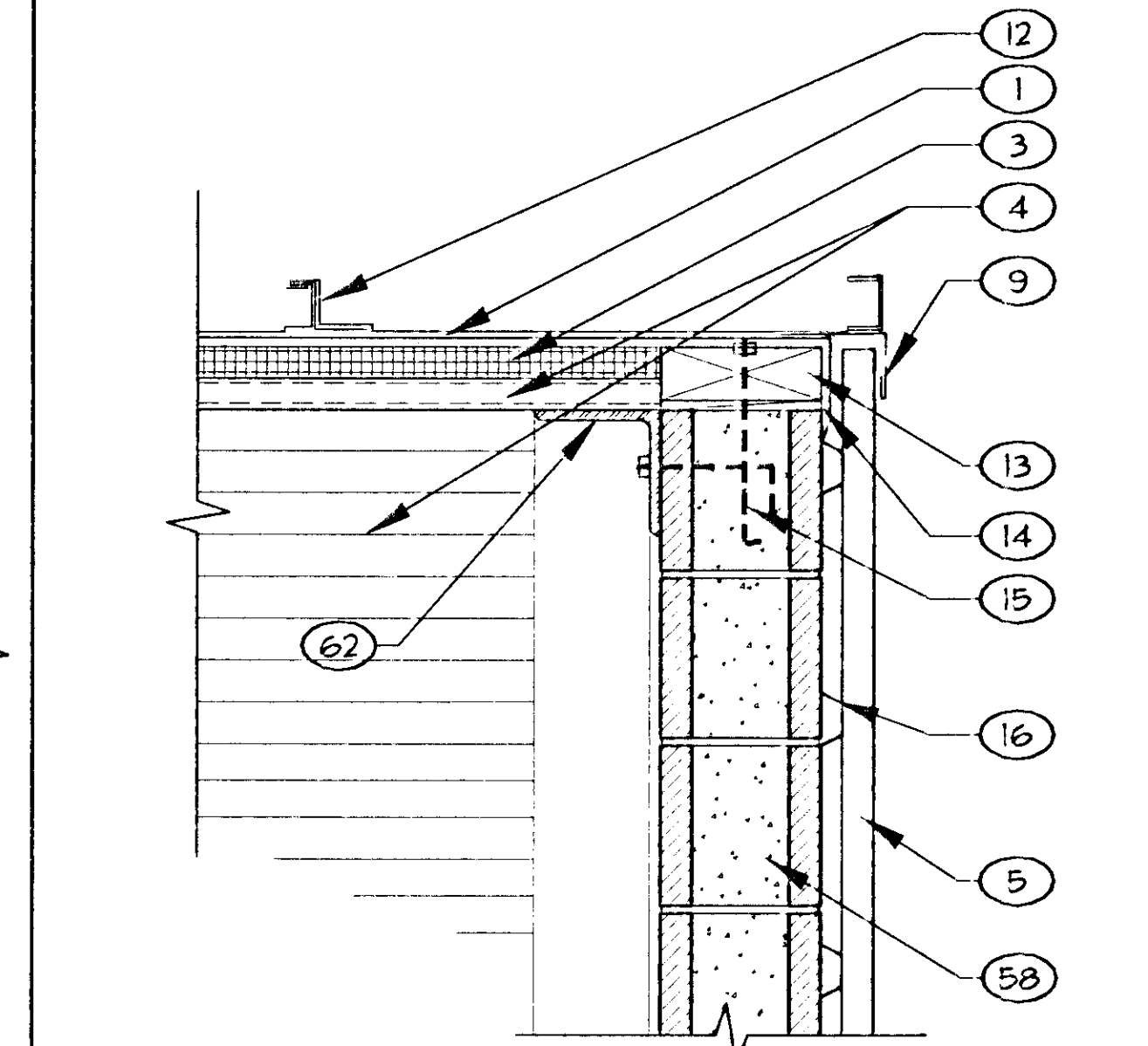
**STANDING SEAM  
RIDGE DETAIL** 11  
SCALE: 3" = 1'-0"



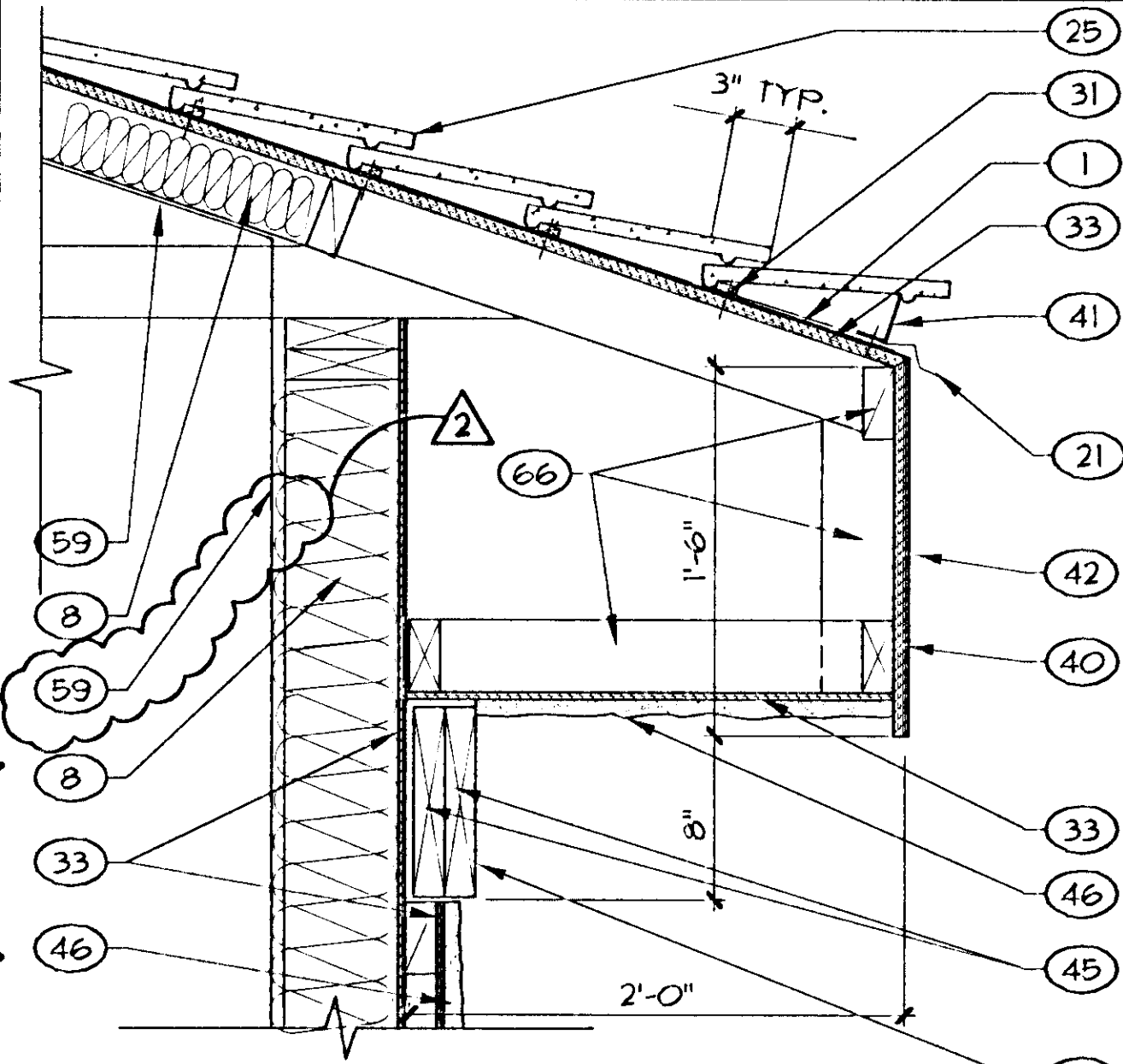
**TILE ROOF RIDGE** 8  
SCALE: 1-1/2" = 1'-0"



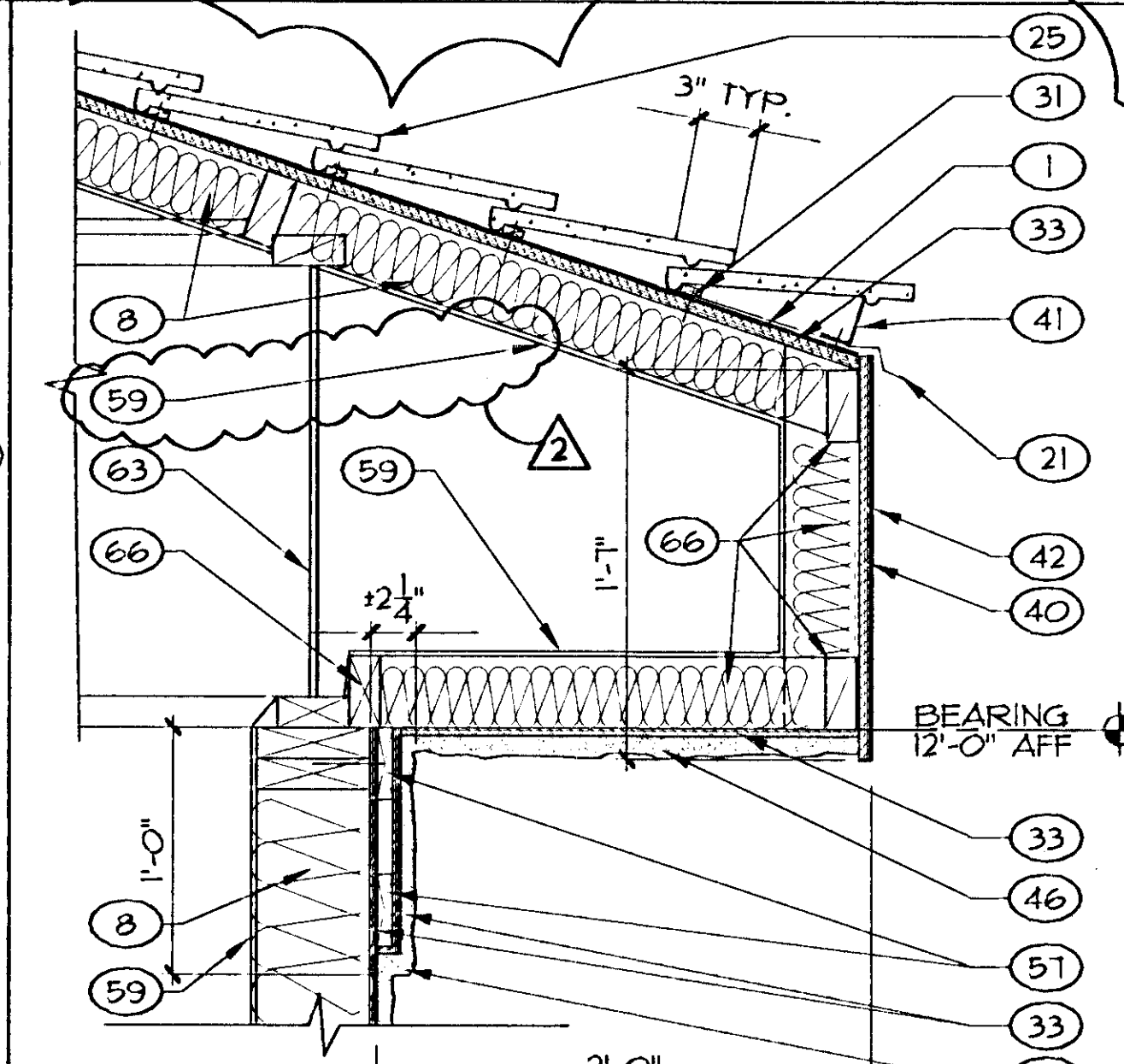
**SINGLE-PLY ROOF AT  
PARAPET WALL** 5  
SCALE: 1-1/2" = 1'-0"



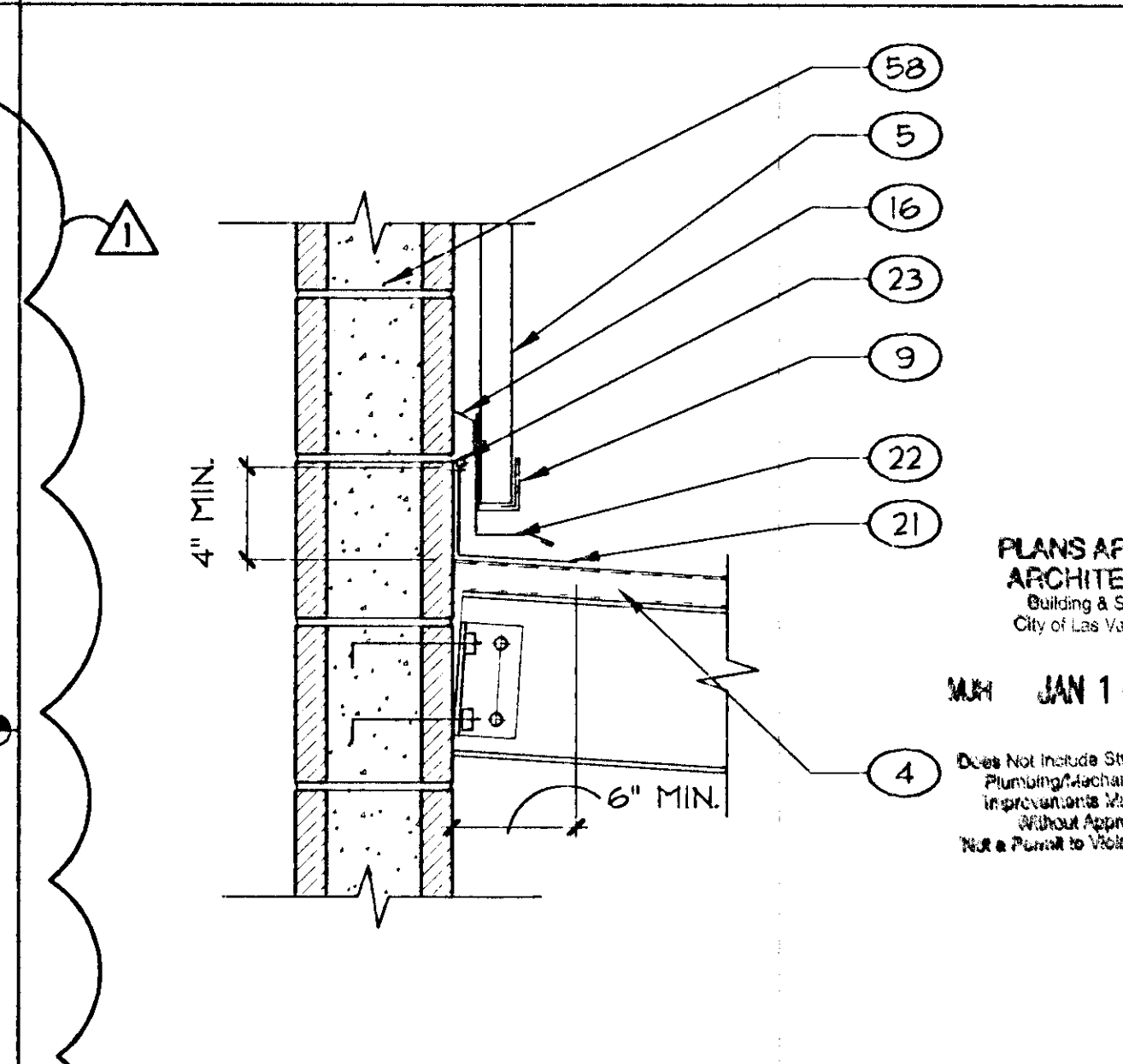
**EAVE DETAIL** 2  
SCALE: 1-1/2" = 1'-0"



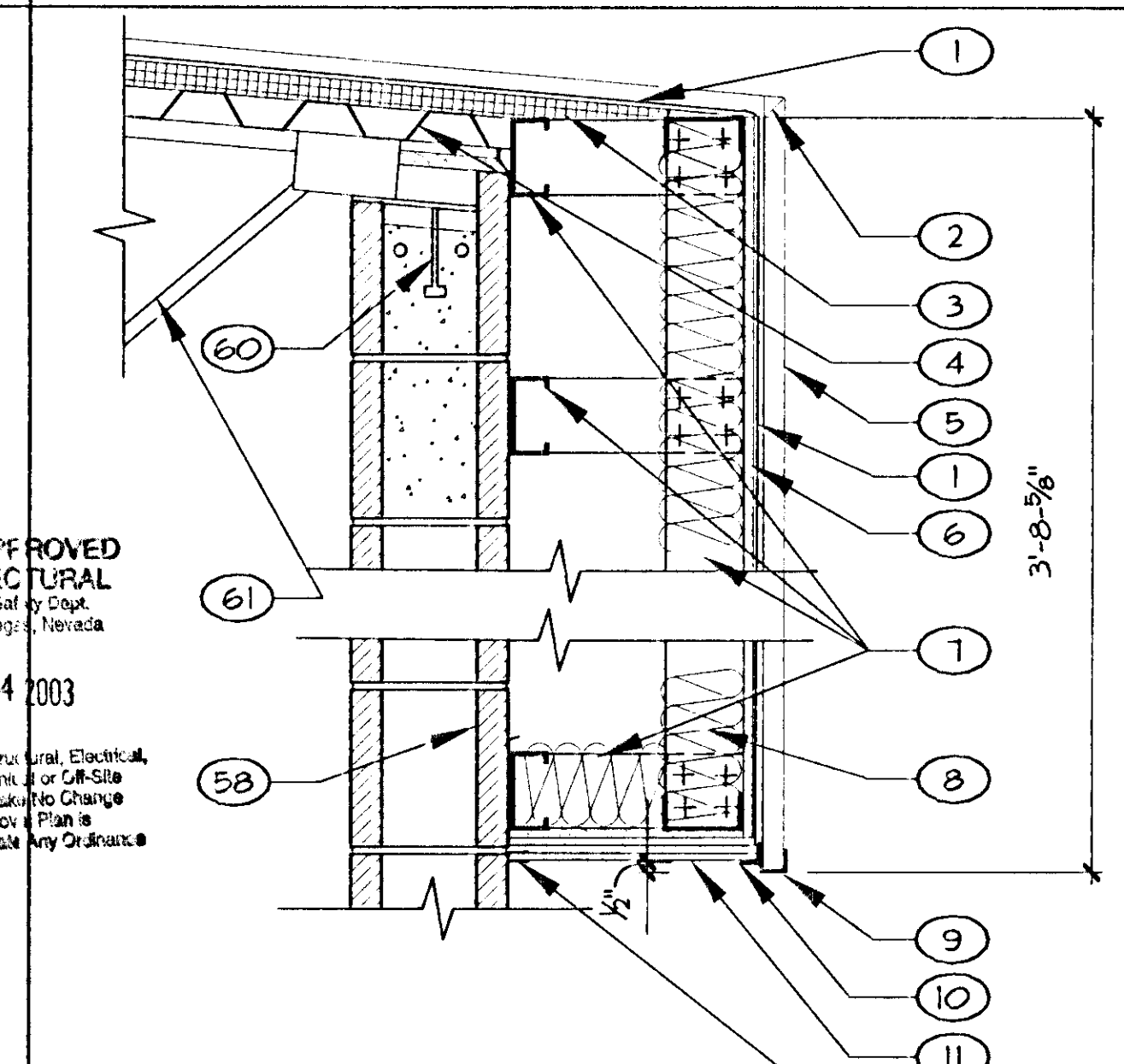
**HIGH ROOF EAVE DETAIL** 10  
SCALE: 1-1/2" = 1'-0"



**LOW ROOF EAVE DETAIL** 7  
SCALE: 1-1/2" = 1'-0"




**FASCIA DETAIL** 4  
SCALE: 1-1/2" = 1'-0"



**EAVE DETAIL** 1  
SCALE: 1-1/2" = 1'-0"

**KEYNOTES**  
SHEET A420 - A421

- 1 # 30 FELT
- 2 MITER CUT ON BEAM BY 1/4" CUTTING. SNAP ON BEAM AND VINYL WEATHER SEAL, BEND TO SLOPE TRANSITION OF ROOF FASCIA.
- 3 2" RIGID INSULATION
- 4 METAL DECK, SEE STRUCT. DWGS.
- 5 STANDING SEAM METAL FASCIA PANEL
- 6 1/2" EXTERIOR GYP. BD. SHEATHING
- 7 6" x 18GA. METAL STUD @ 16" O.C.
- 8 R19 BATT INSULATION
- 9 CLOSURE CHANNEL
- 10 SOFFIT ANGLE
- 11 METAL SOFFIT PANEL
- 12 STANDING SEAM METAL ROOFING SYSTEM
- 13 3X WEATHER TREATED WOOD NAILER
- 14 PLYWOOD 5/8"IM
- 15 1" x 8" ANCHOR BOLT @ 4'-0" O.C.
- 16 METAL SUPPORT BY METAL PANEL MANUFACTURER
- 17 CONT. GALVANIZED CLETE
- 18 6" x 18GA. METAL STUD @ 24" O.C.
- 19 3-3/8" x 13 GA. METAL STUD KICKER @ 4'-0" O.C.
- 20 CONT. G.I. COPING W/ FINISH TO MATCH METAL FASCIA PANEL FINISH
- 21 FLASHING
- 22 COUNTER-FLASHING
- 23 SEALANT
- 24 CONCRETE RIDGE TILE
- 25 CONCRETE ROOF TILE
- 26 G.I. FLASHING
- 27 2 x 6 WEATHER TREATED WOOD NAILER
- 28 2 x 6 @ 24" O.C.
- 29 BONDING ADHESIVE
- 30 MEMBRANE FLASHING
- 31 1" x 3" WOOD BATTEN, ATTACHED W/ 1d COMMON NAILS @ 24" O.C. USE 4'-0" LONG BATTENS W/ MIN. 1/4" SPACE BETWEEN ENDS.
- 32 WOOD TRUSS, SEE STRUCT. DWGS.
- 33 FLYWOOD SHEATHING, SEE STRUCT. DWGS.
- 34 FASTENER AND PLATE
- 35 COVER STRIP
- 36 BEAM CAULK
- 37 BEAM WELD
- 38 SINGLE-PLY ROOFING SYSTEM
- 39 TAPERED RIGID INSULATION, MIN. 2" THICKNESS
- 40 PLYWOOD FASCIA
- 41 EAVE CLOSURE
- 42 PAINT SEE A201 FOR COLOR
- 43 NO28 GAUGE (MIN) GALVANIZED "U" VALLEY FLASHING. EXTEND 1" MIN. BEYOND EAVE AT VALLEY BOTTOM.
- 44 BATTEN EXTENDER
- 45 2 x 10 FRIEZE BOARD
- 46 EXTERIOR CEMENT PLASTER O/ METAL LATH O/ FELT PAPER
- 47 OVERFLOW DRAIN - SEE MECH DWGS. PROVIDE ROOFING MFR'S STANDARD INSTALLATION DETAIL
- 48 ROOF DRAIN - SEE MECH DWGS. PROVIDE ROOFING MFR'S STANDARD INSTALLATION DETAIL
- 49 WATER CUT OFF MASTIC
- 50 PIPE PENETRATION
- 51 STRETCH COLLAR
- 52 3/8" STEEL HOSE CLAMP
- 53 FASTENER
- 54 RIDGE CAP
- 55 CURB MATERIAL
- 56 2x WOOD BLOCKING
- 57 1x WOOD BLOCKING
- 58 CMU
- 59 CONT. VAPOR BARRIER
- 60 ANCHOR BOLT, SEE STRUCT. DWGS.
- 61 JOIST, SEE STRUCT. DWGS.
- 62 LEDGER ANGLE, SEE STRUCT. DWGS.
- 63 TJI JOIST BLOCKING
- 64 3' x 3' WIDE TRAFFIC PAD
- 65 PREMANUFACTURED HATCH
- 66 2 x 4 FRAMING



REVISIONS  
1 08.30.02  
2 10.16.02

CONSULTANT  
TATE SNYDER KIMSEY ARCHITECTS  
700 Main Street, Suite 200, Las Vegas, NV 89101  
PH: (702) 458-3000  
FAX: (702) 458-3000

CITY OF LAS VEGAS BUILDING DEPARTMENT  
REVIEWED BY: OCT 17 2002  
50518

CITY OF LAS VEGAS WEST SERVICE YARD  
BUFFALO DRIVE AND PEPPER ROAD  
LAS VEGAS, NEVADA  
ROOF DETAILS  
OCT 17 2002

DEPARTMENT OF PUBLIC WORKS

OWNER: CITY OF LAS VEGAS  
DEPARTMENT OF PUBLIC WORKS  
ARCHITECTURAL SERVICES

400 EAST STEWART AVENUE  
LAS VEGAS, NEVADA 89101  
PHONE: (702) 222-6535  
FAX: (702) 382-3332  
TDD: (702) 386-9108

DATE: 08.30.02  
SCALE: VARIES  
CITY DWG NO: 02.15341.03  
CITY DWG NO: 107-V3548

A4.20