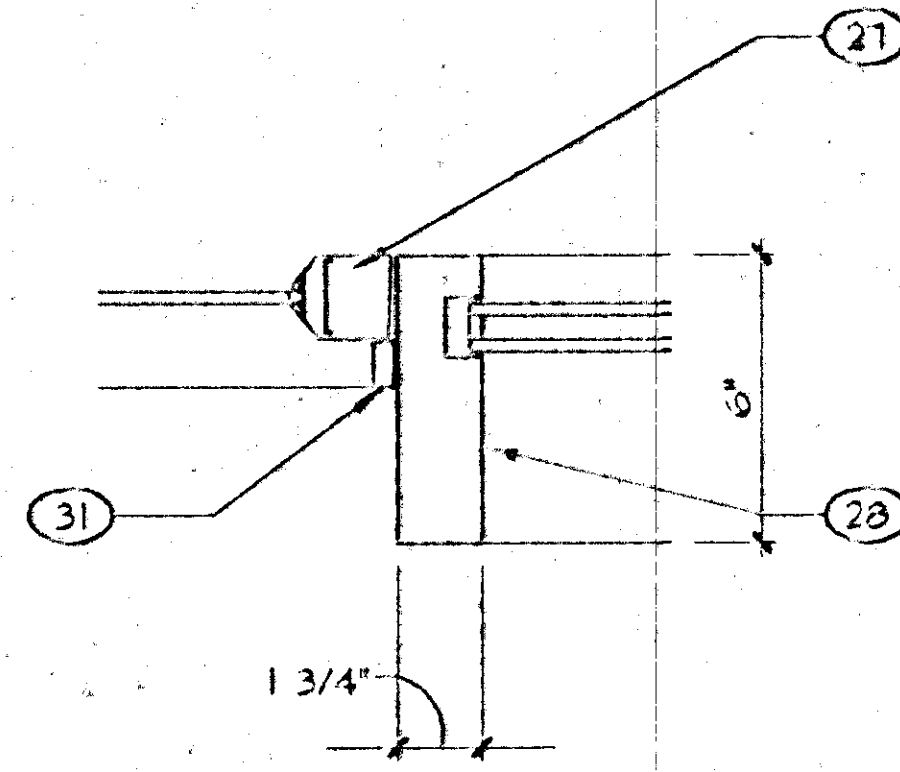
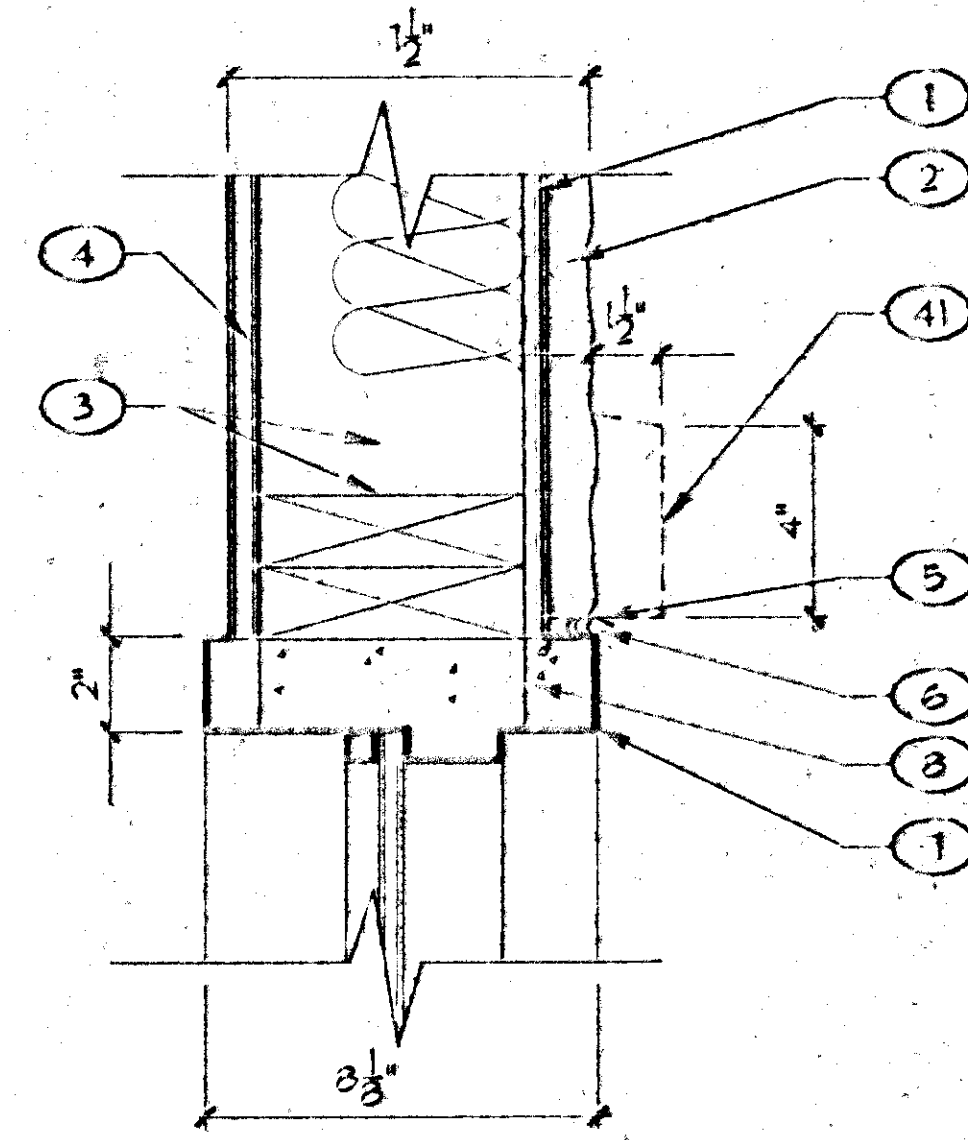


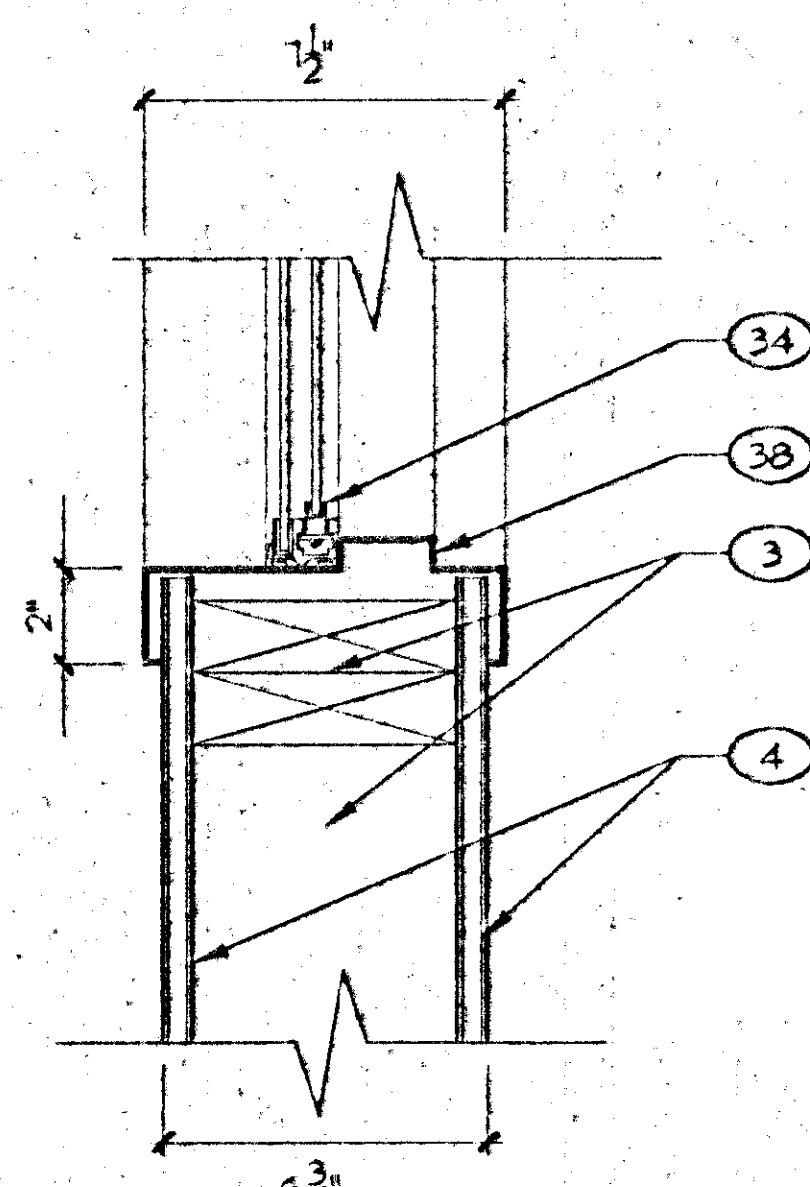
SLIDING WINDOW HEAD (JAMB SIM.)
SCALE: 3" = 1'-0" **21**



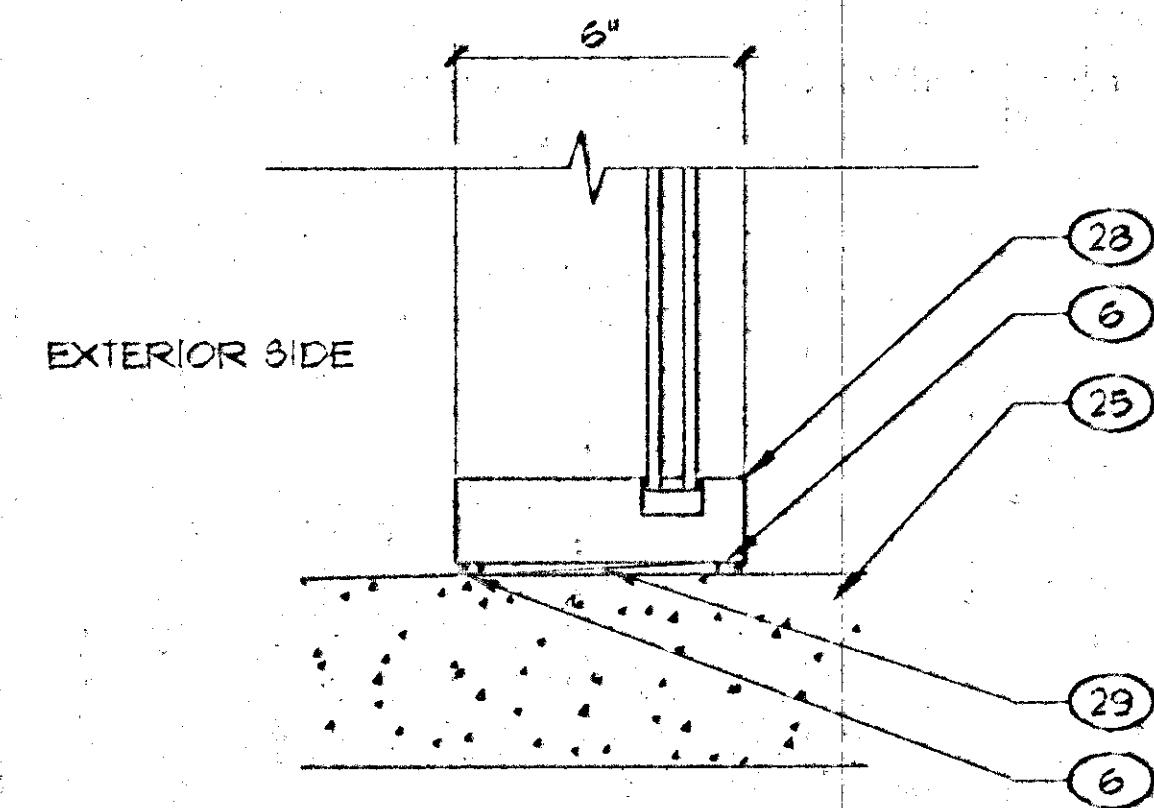
JAMB DETAIL (HEAD SIM.)
SCALE: 3" = 1'-0" **18**



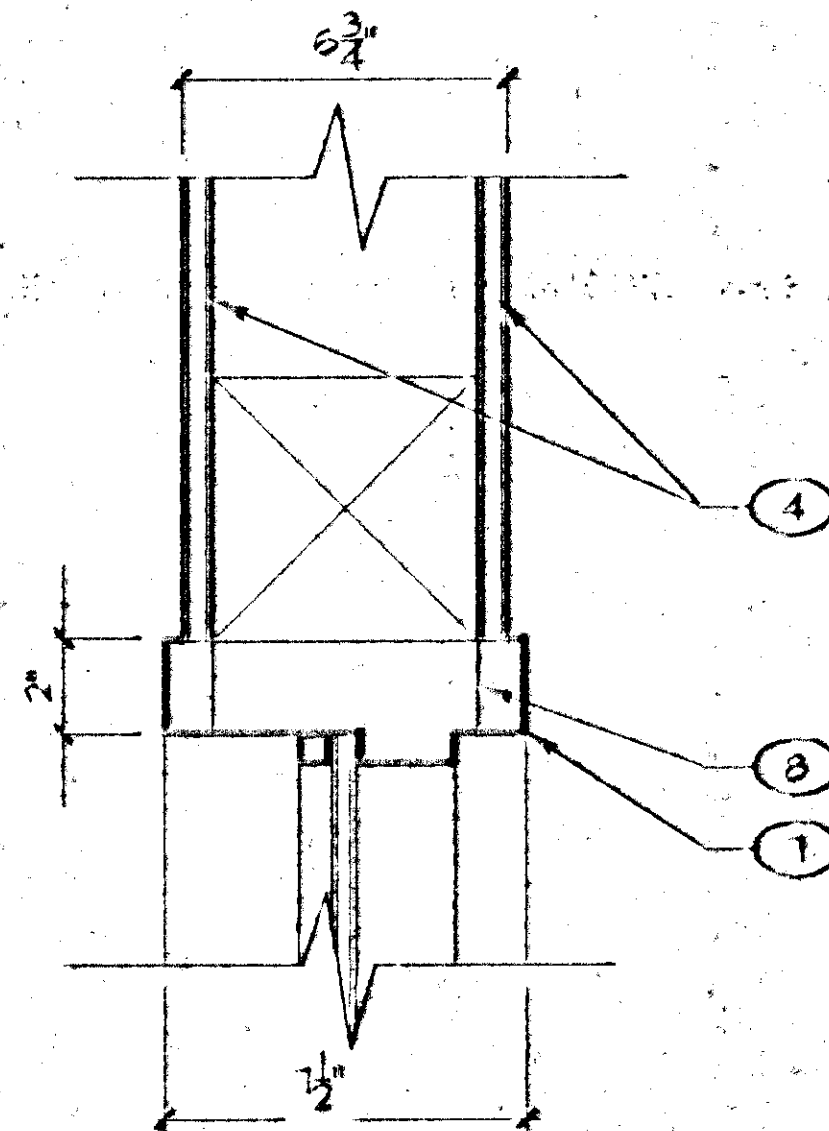
WINDOW JAMB (HEAD SIM.)
SCALE: 3" = 1'-0" **15**



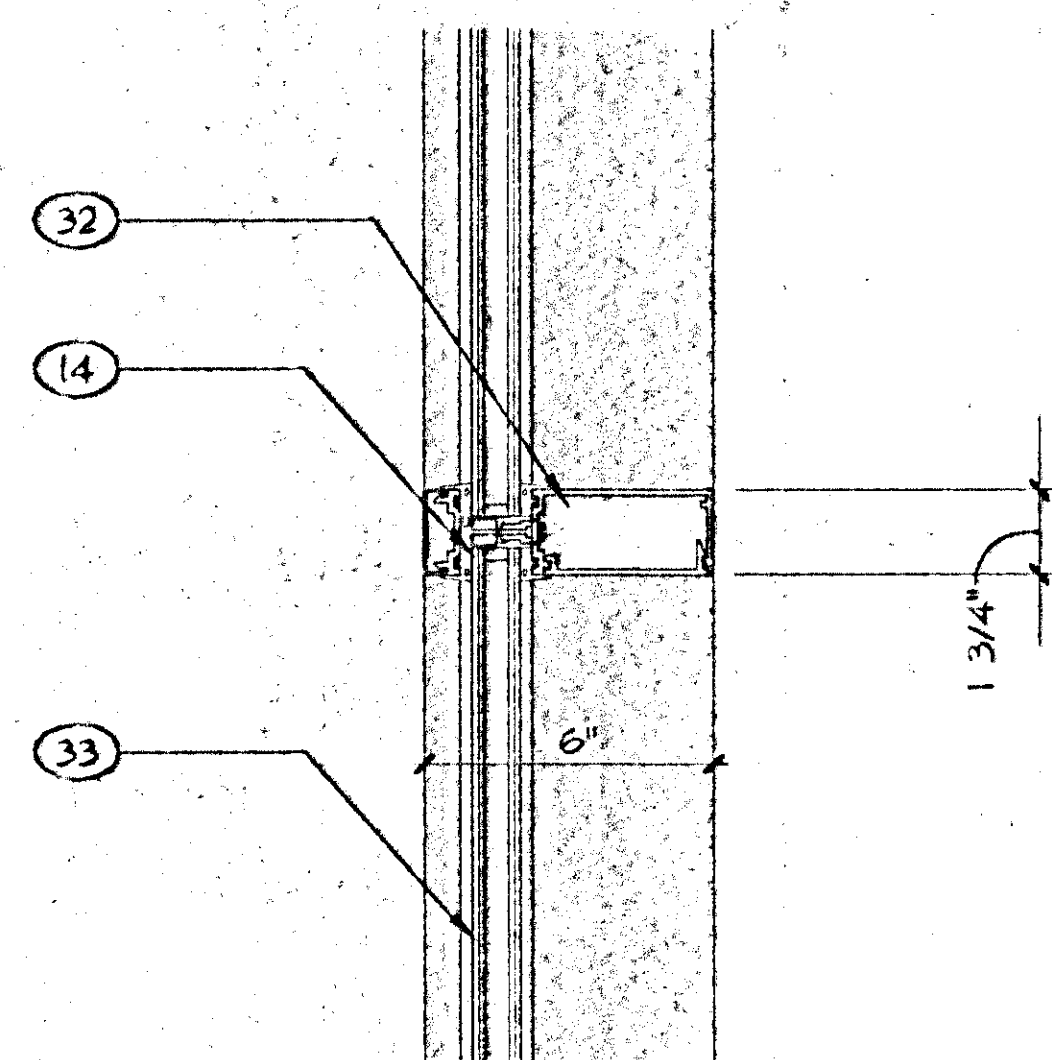
SLIDING WINDOW SILL
SCALE: 3" = 1'-0" **20**



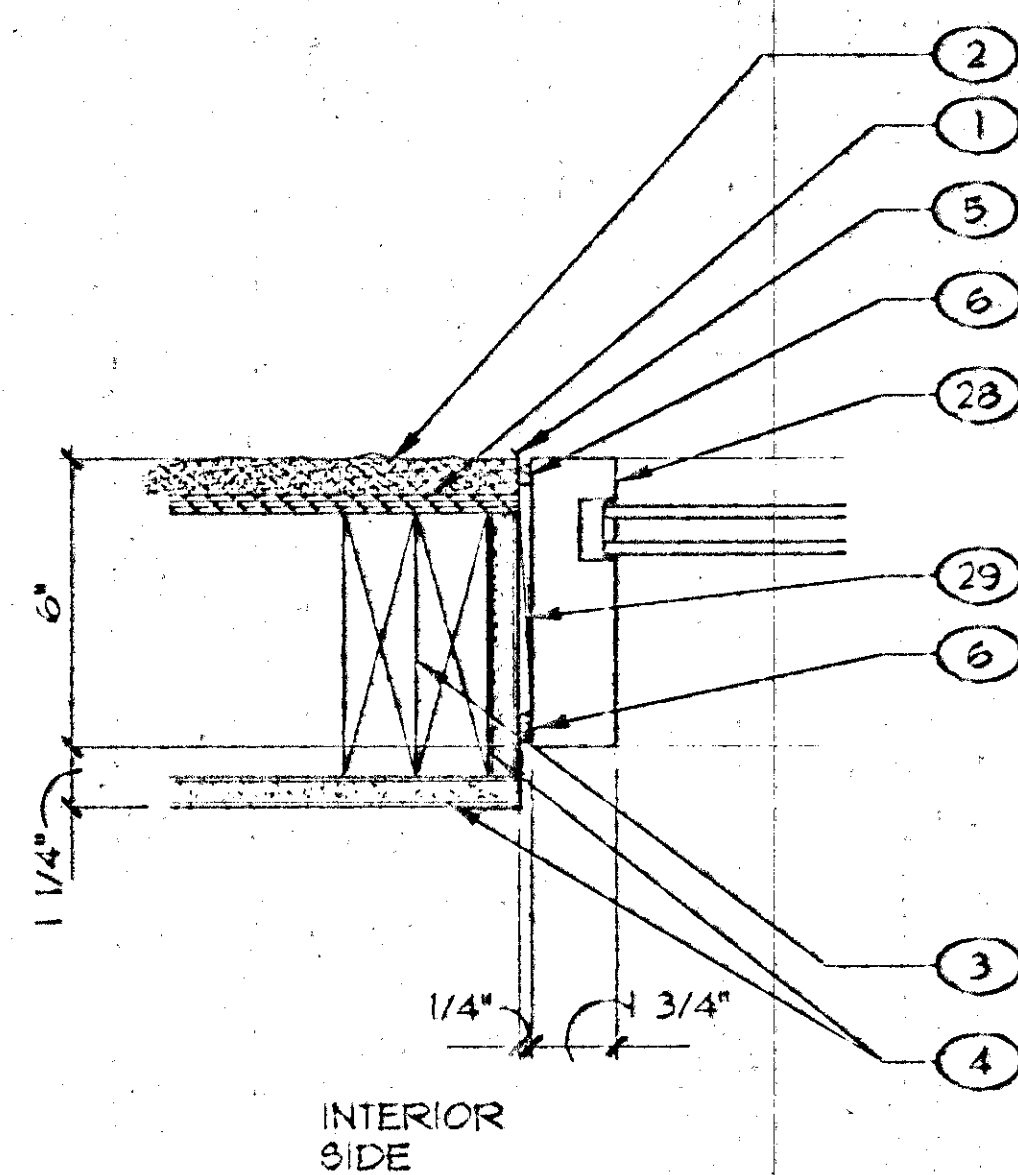
SILL DETAIL
SCALE: 3" = 1'-0" **17**



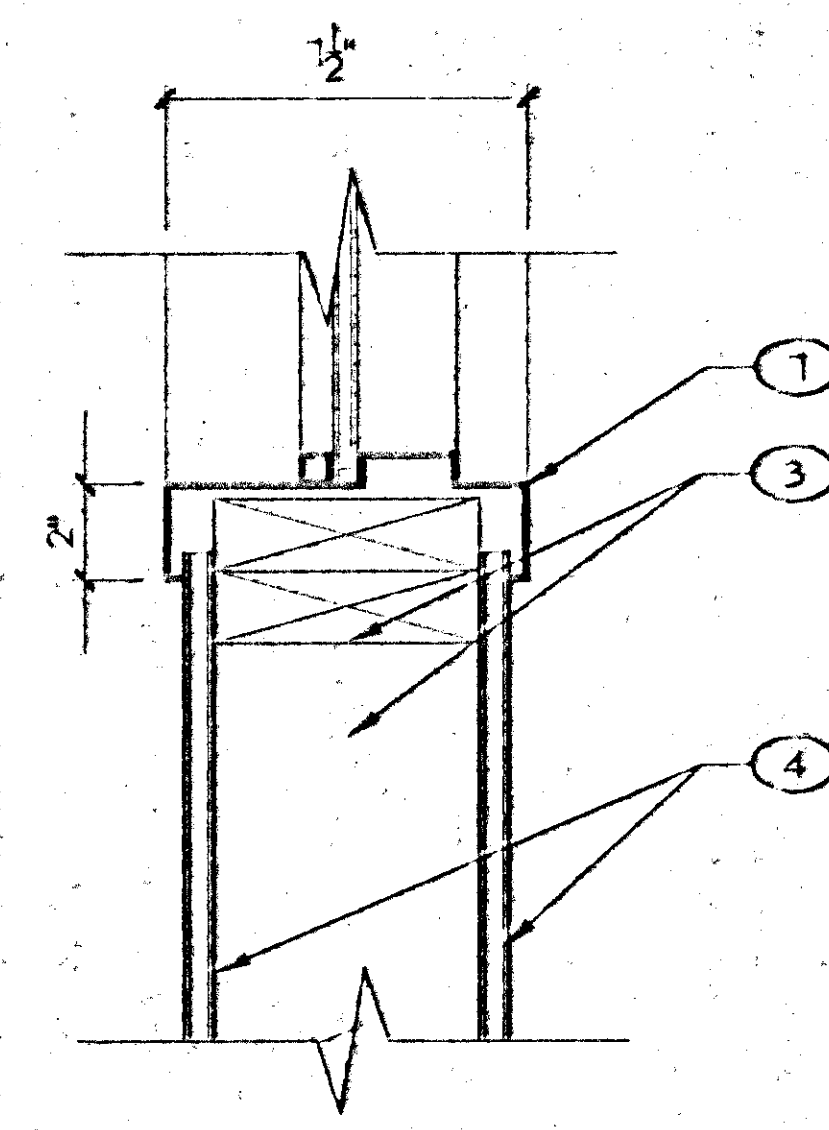
INTERIOR WINDOW HEAD (JAMB SIM.)
SCALE: 3" = 1'-0" **14**



HORIZONTAL MULLION
SCALE: 3" = 1'-0" **19**



JAMB DETAIL (HEAD SIM.)
SCALE: 3" = 1'-0" **16**



INTERIOR WINDOW SILL
SCALE: 3" = 1'-0" **13**

KEYNOTES

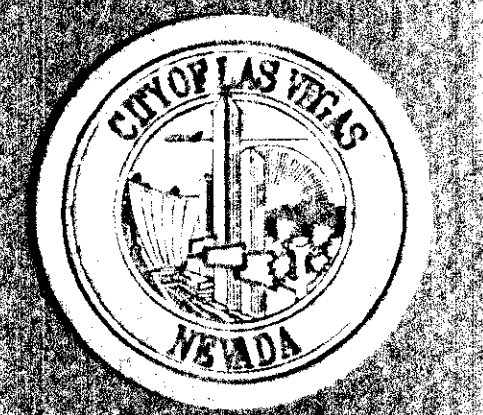
- SHEETS A220 & A221
- 1 3/8" PLYWOOD SHEATHING
 - 2 EXTERIOR CEMENT PLASTER OR METAL LATH
 - 3 2 x 6 WOOD FRAMING
 - 4 3/4" GYP. BOARD
 - 5 PLASTER SCREED
 - 6 SEALANT
 - 1 HOLLOW METAL FRAME, GROUT SOLID
 - 3 WOOD STUD ANCHOR (AT JAMB ONLY)
 - 9 HEADER, SEE STRUCT. DUGS
 - 10 CMU WALL
 - 11 CHU BOND BEAM, SEE STRUCT. DUGS.
 - 12 DOOR FRAME HANGER
 - 13 INSULATED OVERHEAD DOOR SLAT
 - 14 C8 x 11.5 STEEL CHANNEL, PAINTED
 - 15 6" x 3-1/2" x 3/16" STEEL ANGLE, WELD TO FRAME, PAINTED
 - 16 4" x 3" x 1/4" STEEL ANGLE, WELD TO FRAME, PAINTED
 - 17 3" x 3" x 1/4" STEEL ANGLE, WELD TO FRAME, PAINTED
 - 18 PREMANUFACTURED METAL WALL PANEL
 - 19 WALL PANEL JAMB TRIM
 - 20 WALL PANEL DRIP GUTTER
 - 21 3" WIDE CHANNEL GIRT
 - 22 OVERHEAD DOOR HOOD AND ASSEMBLY, BOLT TO STEEL ANGLE GUIDES
 - 23 5" x 3-1/2" x 3/16" STEEL ANGLE, WELD TO FRAME
 - 24 STEEL ANGLE GUIDES BEYOND
 - 25 CONCRETE SLAB
 - 26 DOOR THRESHOLD
 - 27 DOOR
 - 28 ALUMINUM STOREFRONT SYSTEM
 - 29 WOOD SHIM
 - 30 NOT USED
 - 31 ALUMINUM STOP
 - 32 INTERIOR STEEL SUPPORT AS REQUIRED BY WINDOW WALL SYSTEM MANUFACTURER
 - 33 INSULATED GLAZING UNIT
 - 34 PREMANUFACTURED SLIDING WINDOW UNIT
 - 35 CERAMIC TILE OVER 1/2" BACKER BOARD, WHERE OCCURS
 - 36 3/8" GYP. BD. WHERE OCCURS
 - 37 2x WOOD BLOCKING
 - 38 HOLLOW METAL FRAME
 - 39 VAPOR BARRIER
 - 40 OVERHEAD DOOR MOTOR & HOUSING
 - 41 STUCCO BUMPOUT AT WINDOW HEAD ONLY, VERIFY SIZE TO MATCH EXISTING.
 - 42 CARPET
 - 43 VINYL COMP. TILE
 - 44 CARPET TRANSITION TRIM

PLANS APPROVED
ARCHITECTURAL
Building & Safety Dept.
City of Las Vegas, Nevada

MJH JAN 14 2003

Does Not Include Structural, Electrical, Plumbing/Mechanical or Other Trade Interventions. Make No Change Without Approval. Plan is Not a Permit to Violate Any Ordinance.

RECEIVED
SEP 06 2002
CITY OF LAS VEGAS
BUILDING DEPT.



003002

TATE SNYDER KIMSEY ARCHITECTS
400 West Stewart Avenue, Las Vegas, NV 89101
Phone: (702) 259-5518
Fax: (702) 382-3232
TDD: (702) 386-9108

CITY OF LAS VEGAS WEST SERVICE YARD
BUFFALO DRIVE AND PEAK ROAD
LAS VEGAS, NEVADA
DOOR AND WINDOW DETAILS



OWNER: CITY OF LAS VEGAS
DEPARTMENT OF PUBLIC WORKS
ARCHITECTURAL SERVICES

400 EAST STEWART AVENUE
LAS VEGAS, NEVADA 89101
PHONE: (702) 259-5518
FAX: (702) 382-3232
TDD: (702) 386-9108

DRAWN	LFE
FILE	047A221
DATE	083002
SCALE	VARIES
SHEET NO.	02.1534109
REV. NO.	101-V3348