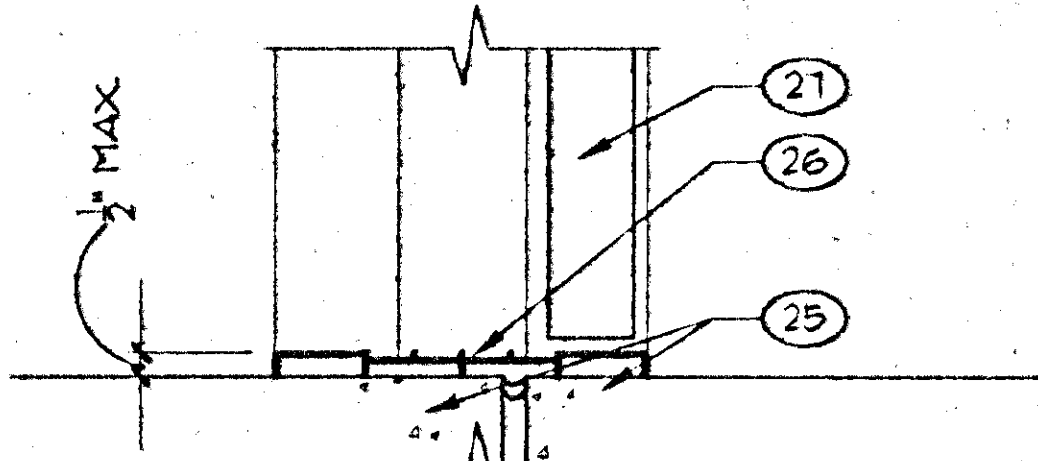


**VCT / CARPET THRESHOLD
(TYPICAL)**

SCALE: 3" = 1'-0"

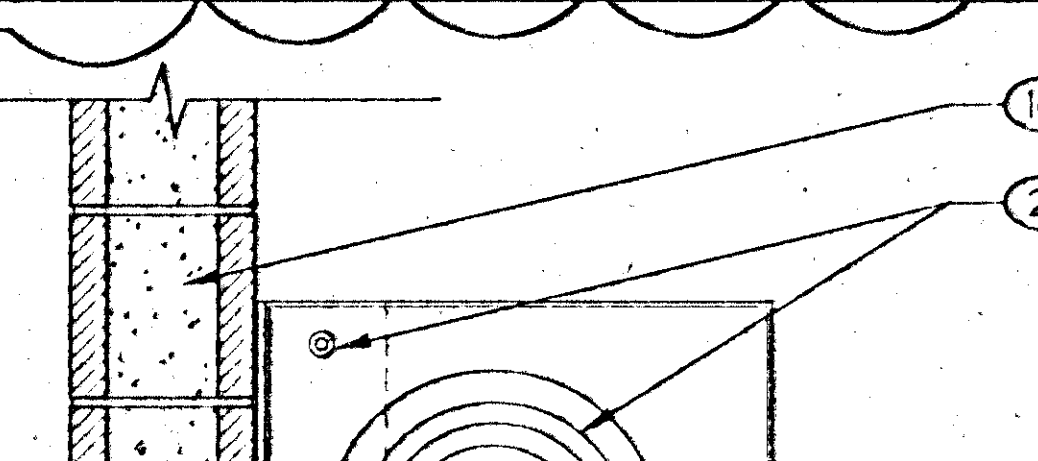
12B



**DOOR THRESHOLD DETAIL
(TYPICAL)**

SCALE: 3" = 1'-0"

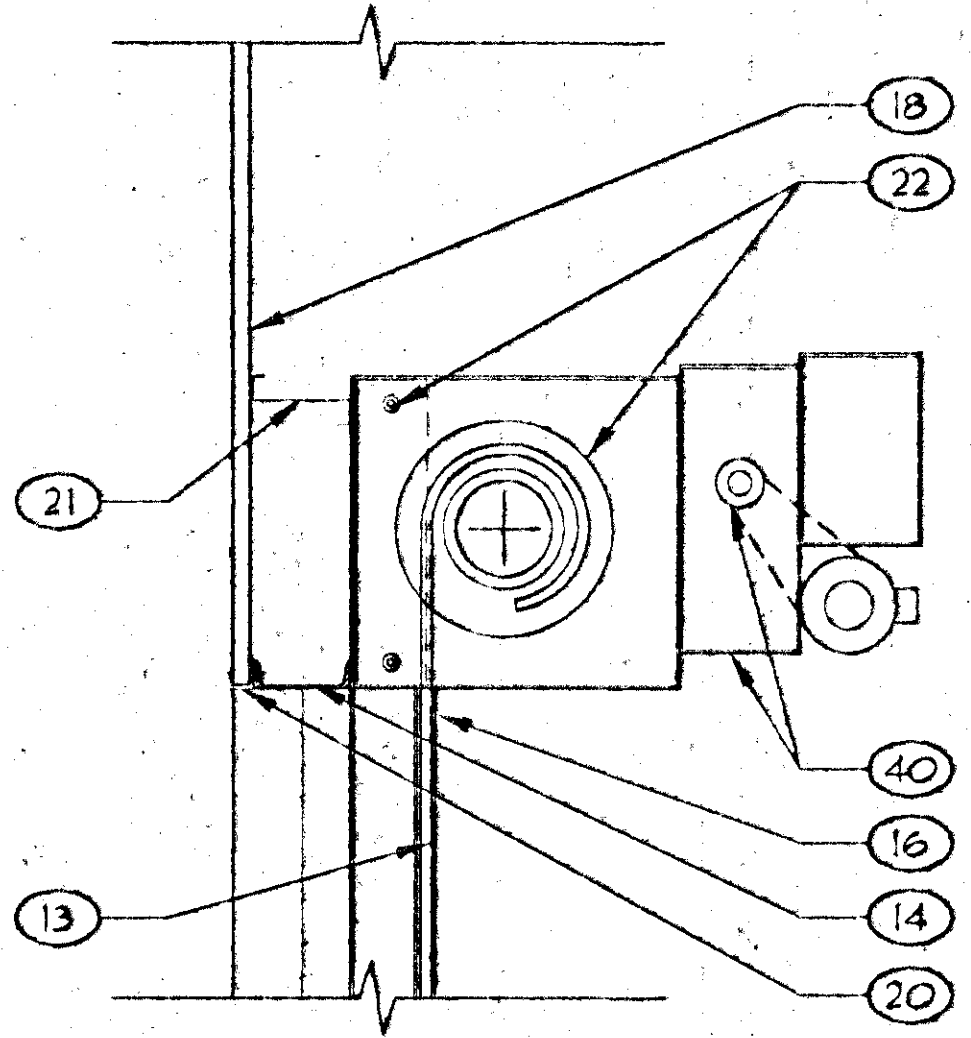
12A



OVERHEAD DOOR HEAD

SCALE: 3/4" = 1'-0"

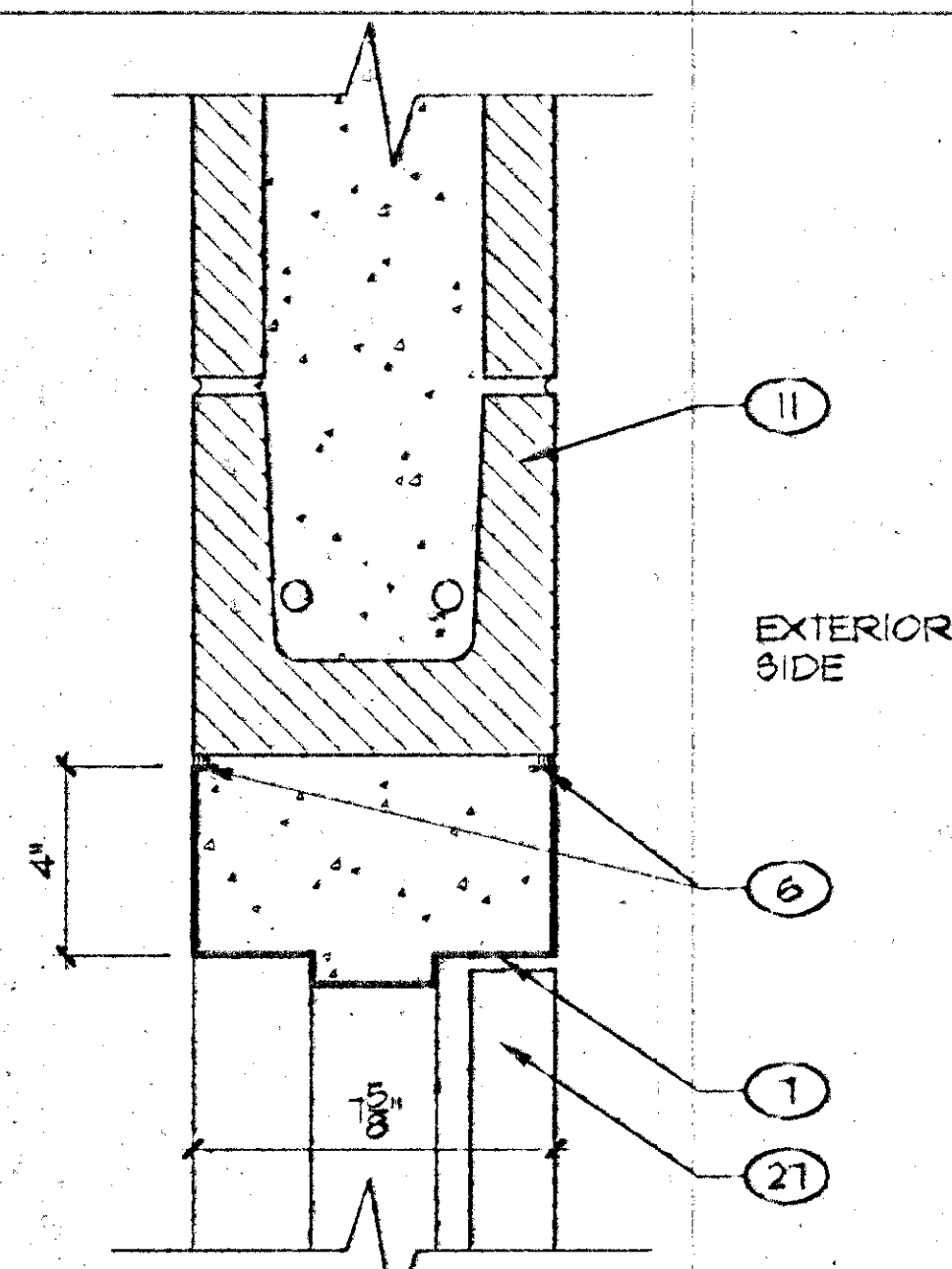
9



DOOR HEAD

SCALE: 3" = 1'-0"

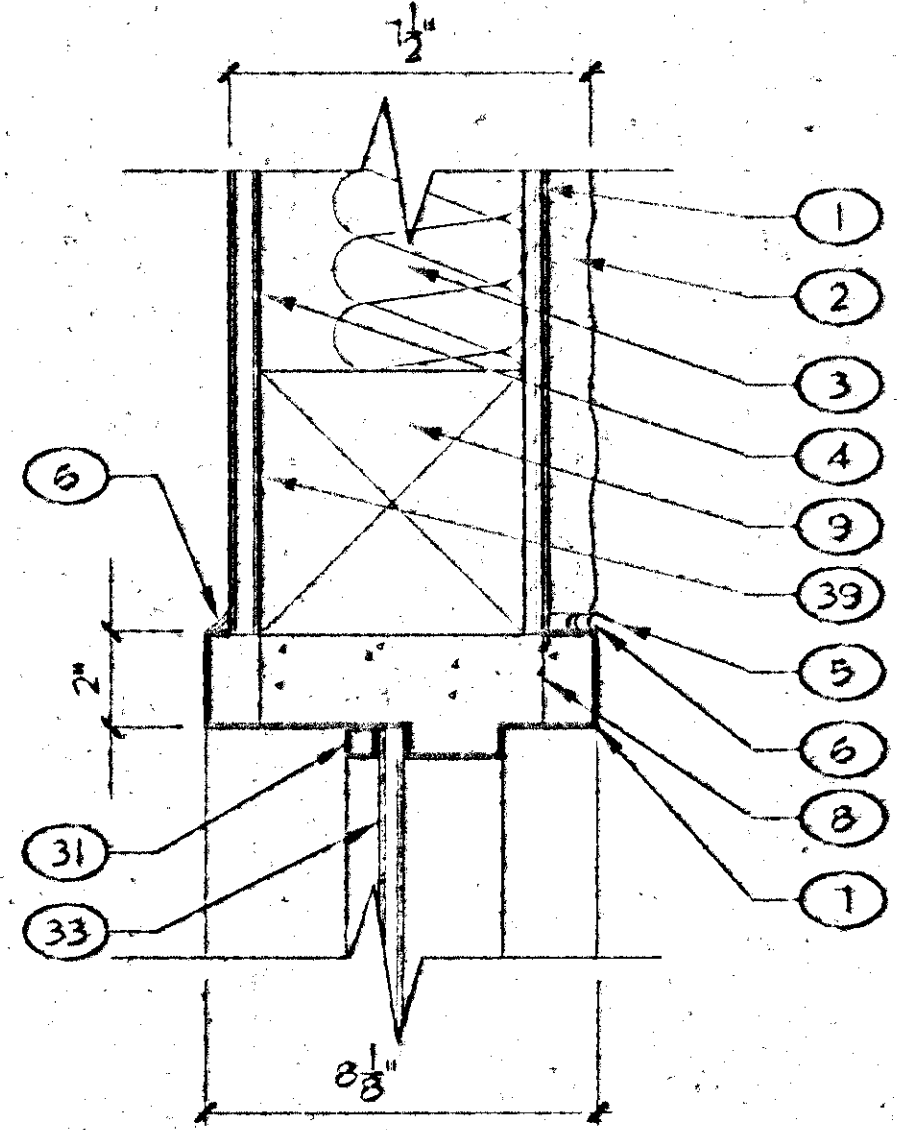
6



**WINDOW HEAD
(JAMB SIM.)**

SCALE: 3" = 1'-0"

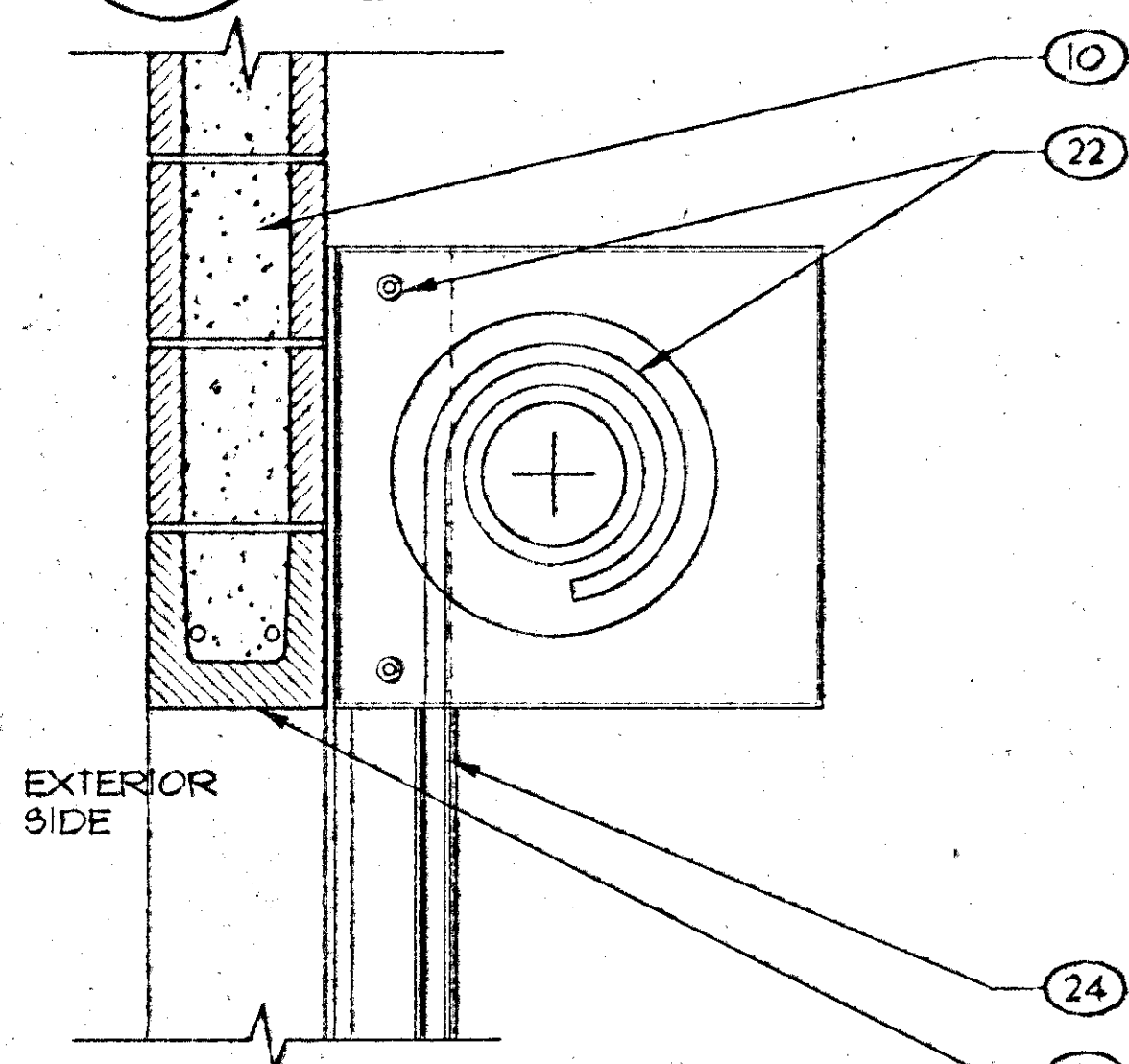
3



OVERHD. DOOR HEAD @ FMB

SCALE: 1-1/2" = 1'-0"

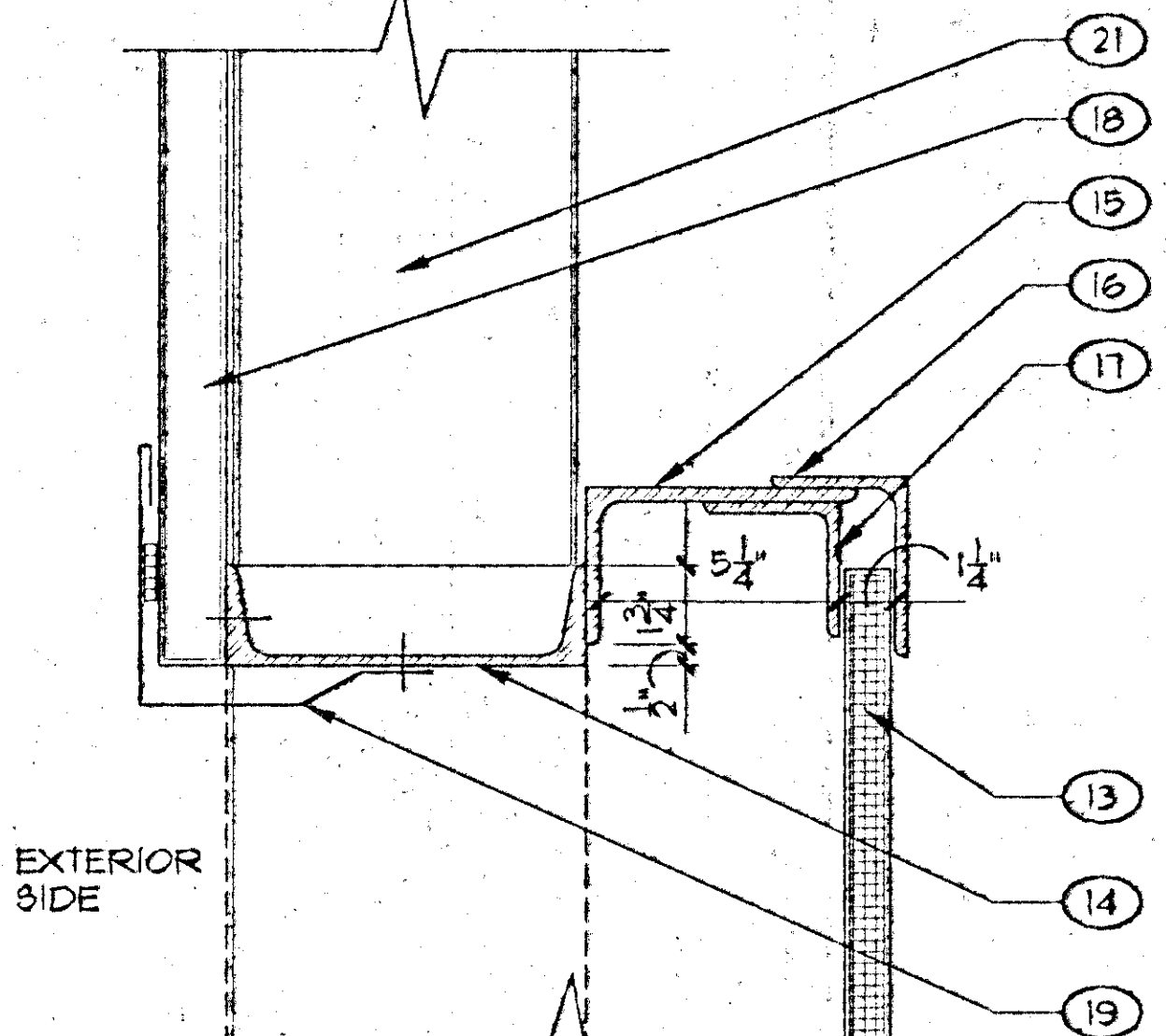
11



**OVERHEAD DOOR JAMB
@ METAL WALL PANEL**

SCALE: 3" = 1'-0"

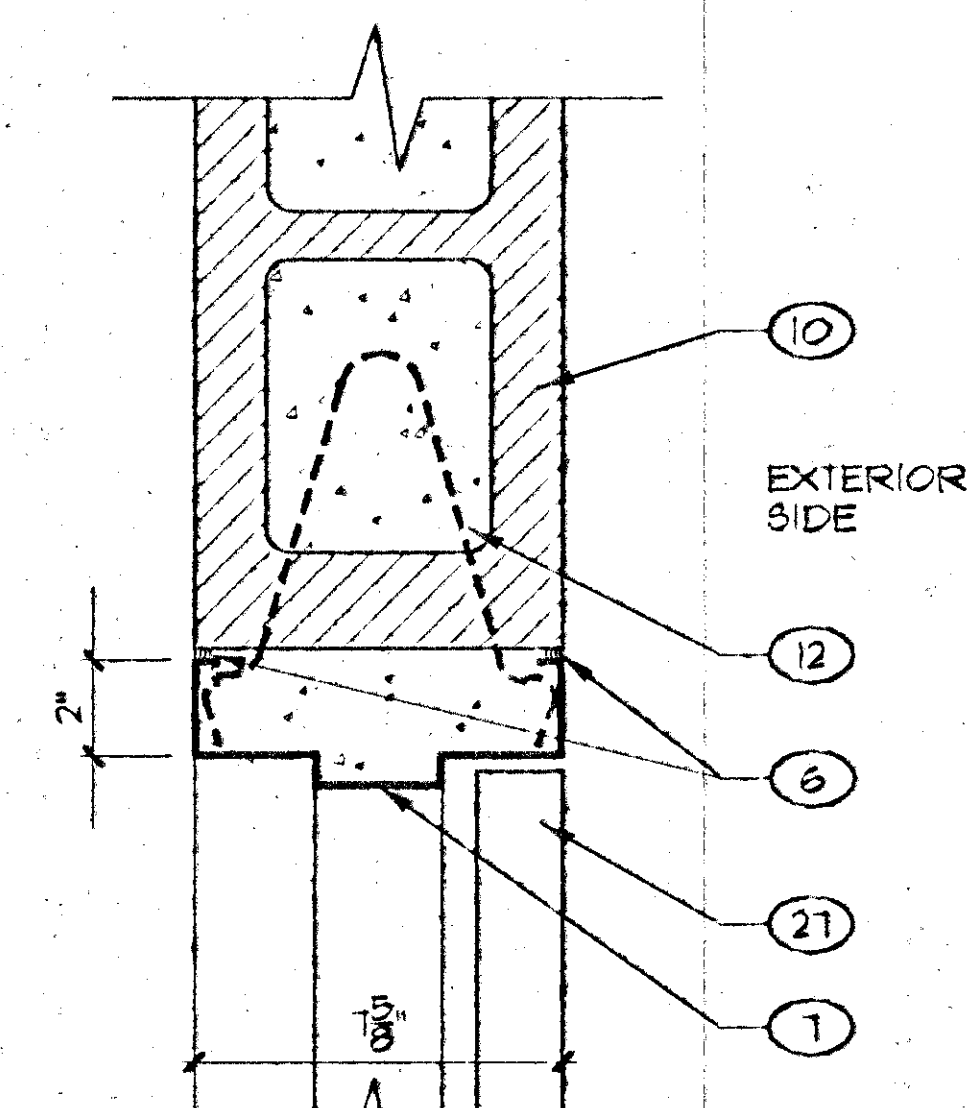
8



DOOR JAMB

SCALE: 3" = 1'-0"

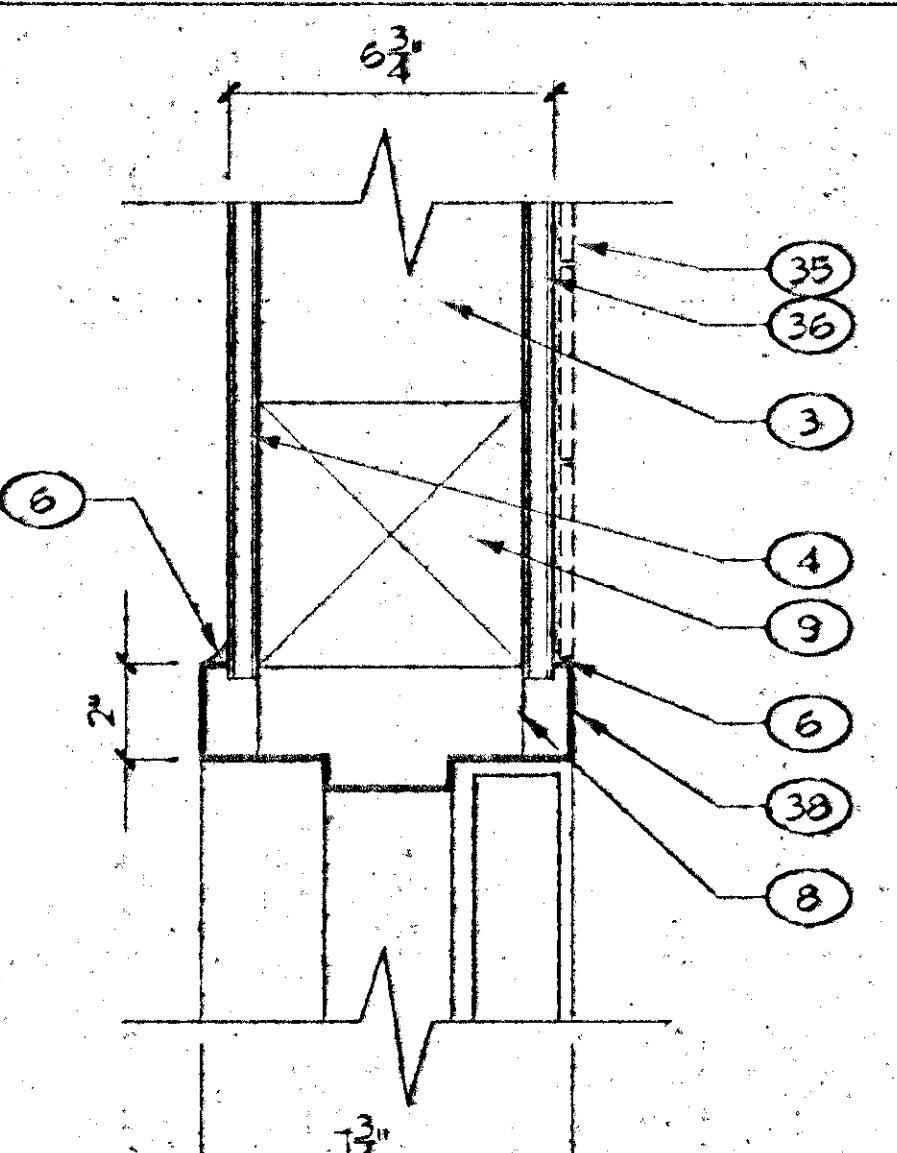
5



**DOOR HEAD
(JAMB SIM.)**

SCALE: 3" = 1'-0"

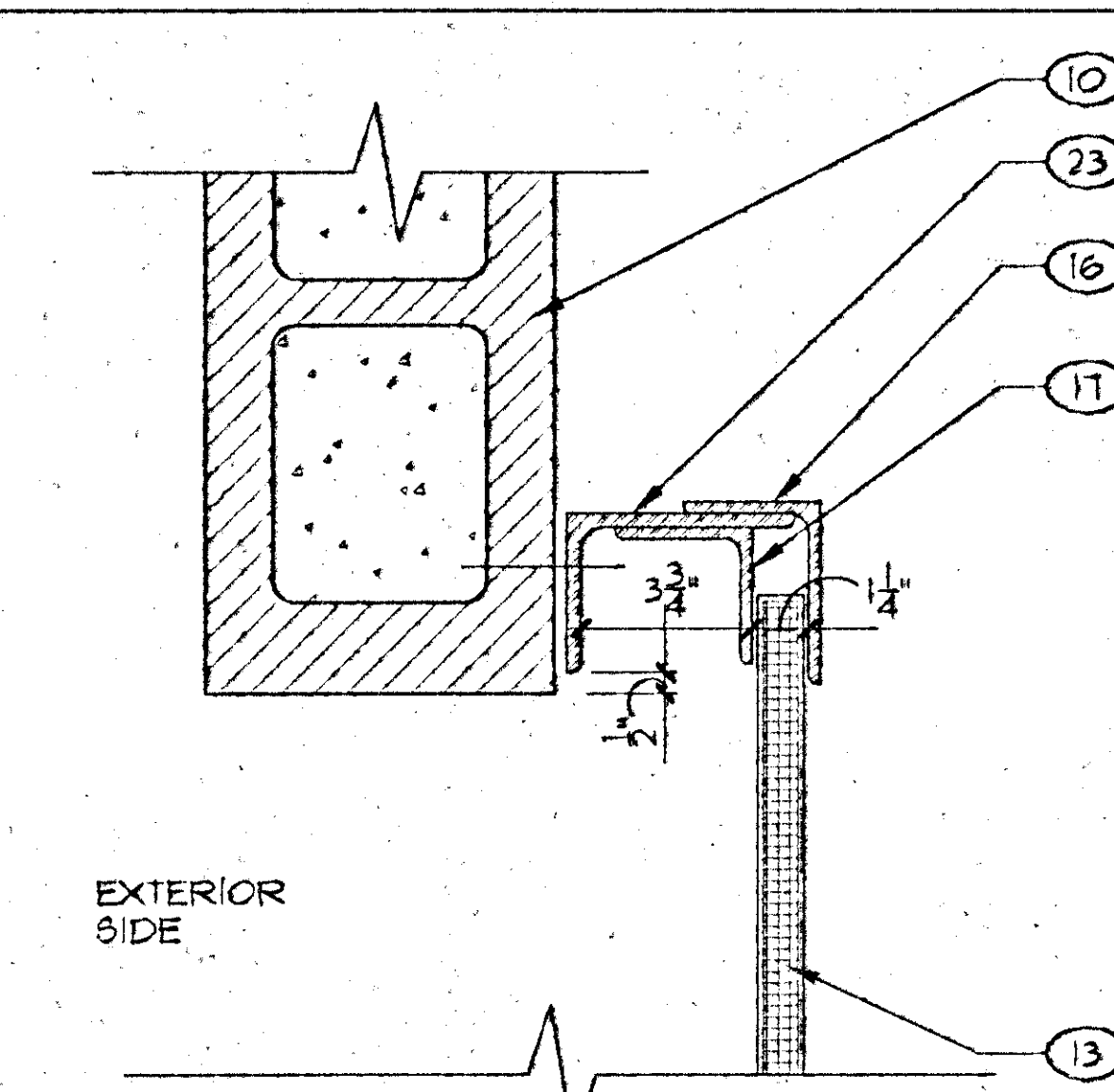
2



**OVERHEAD DOOR JAMB
@ FMB**

SCALE: 3" = 1'-0"

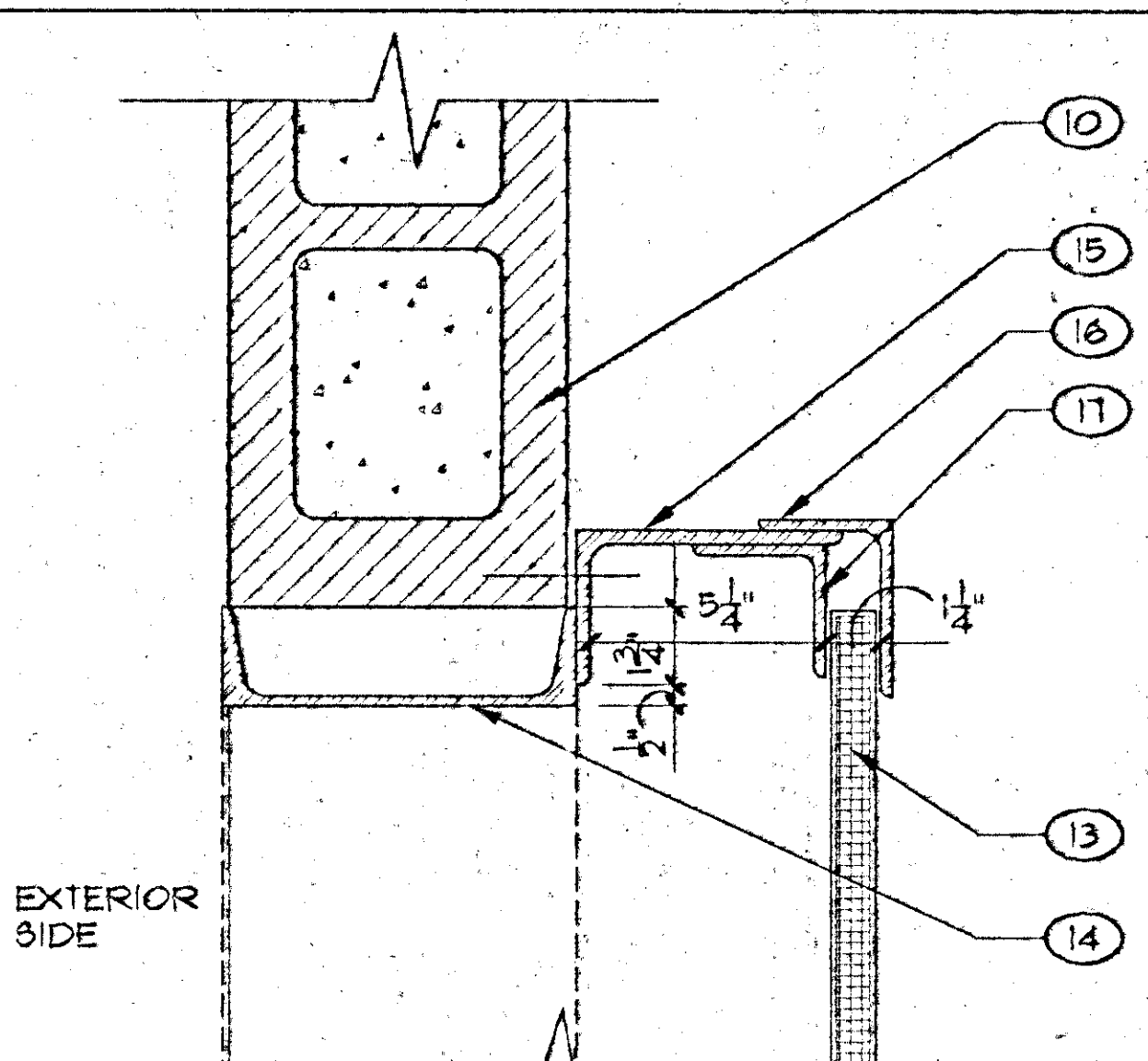
10



**OVERHEAD DOOR JAMB
@ CMU BASE**

SCALE: 3" = 1'-0"

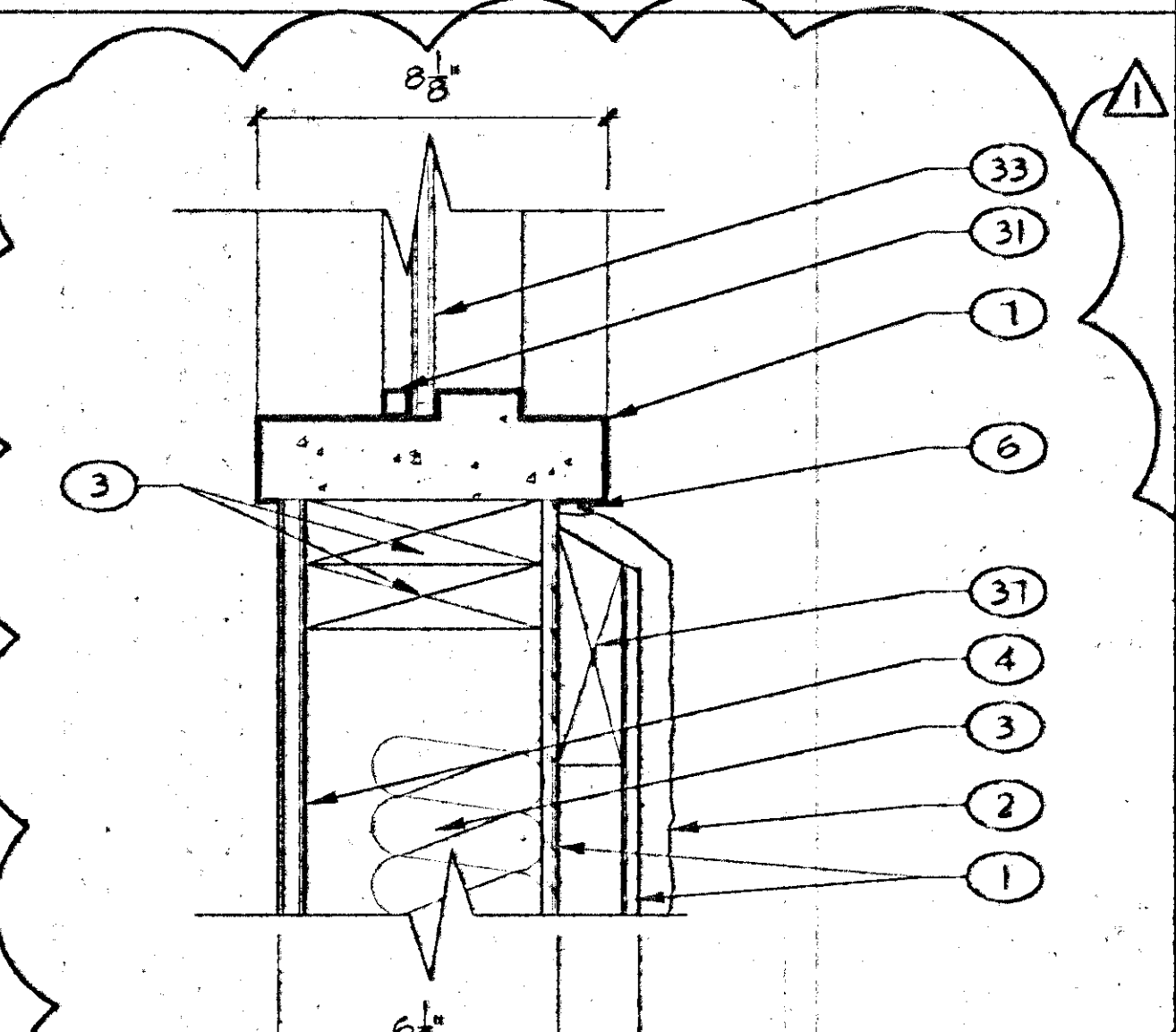
7



WINDOW SILL

SCALE: 3" = 1'-0"

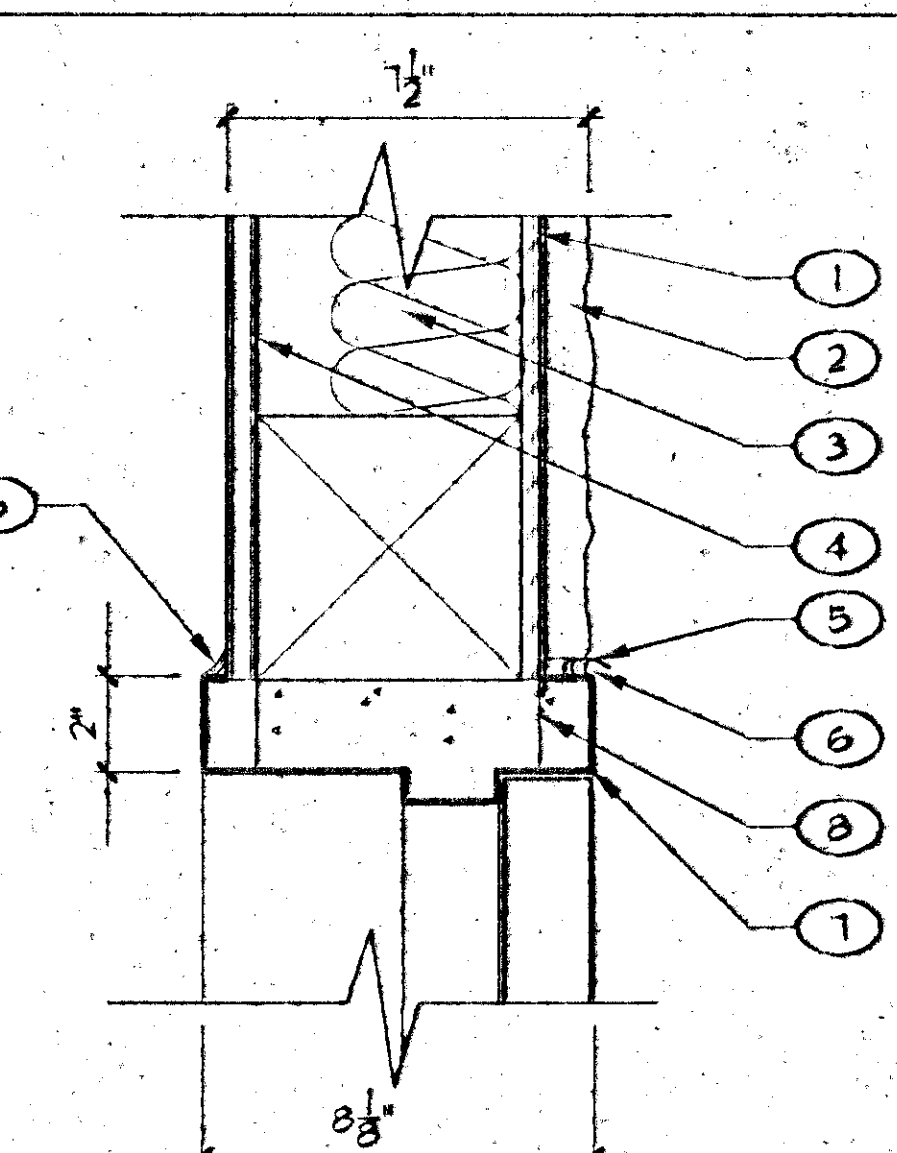
4



**DOOR HEAD
(JAMB SIM.)**

SCALE: 3" = 1'-0"

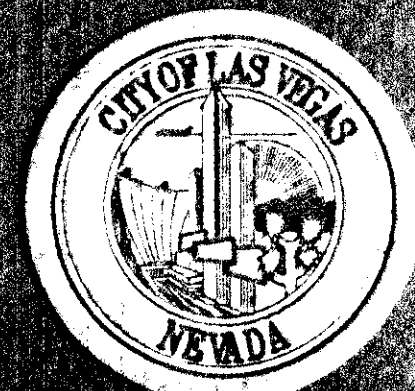
1



KEYNOTES

SHEETS A220 & A221

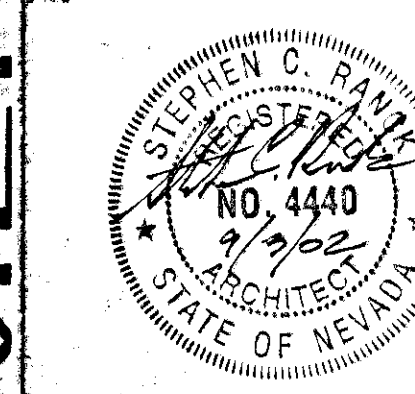
- 1 3/4" FLYWOOD SHEATHING
- 2 EXTERIOR CEMENT PLASTER O/ METAL LATH
- 3 2 x 6 WOOD FRAMING
- 4 5/8" GYPSUM BOARD
- 5 PLASTER SCREED
- 6 SEALANT
- 7 HOLLOW METAL FRAME, GROUT SOLID
- 8 WOOD STUD ANCHOR (AT JAMB ONLY)
- 9 HEADER (SEE STRUCT. DWGS)
- 10 CMU WALL
- 11 CMU BOND BEAM, SEE STRUCT. DWGS.
- 12 DOOR FRAME HANGER
- 13 INSULATED OVERHEAD DOOR SLAT
- 14 C8 x 11.3 STEEL CHANNEL, PAINTED
- 15 6" x 3-1/2" x 5/16" STEEL ANGLE, WELD TO FRAME, PAINTED
- 16 4" x 3" x 1/4" STEEL ANGLE, WELD TO FRAME, PAINTED
- 17 3" x 3" x 1/4" STEEL ANGLE, WELD TO FRAME, PAINTED
- 18 PREMANUFACTURED METAL WALL PANEL
- 19 WALL PANEL JAMB TRIM
- 20 WALL PANEL DRIP GUTTER
- 21 8" WIDE CHANNEL GIRT
- 22 OVERHEAD DOOR HOOD AND ASSEMBLY, BOLT TO STEEL ANGLE GUIDES
- 23 5/4" x 3-1/2" x 5/16" STEEL ANGLE, WELD TO FRAME
- 24 STEEL ANGLE GUIDES BEYOND
- 25 CONCRETE SLAB
- 26 DOOR THRESHOLD
- 27 DOOR
- 28 ALUMINUM STOREFRONT SYSTEM
- 29 WOOD SHIM
- 30 NOT USED
- 31 ALUMINUM STOP
- 32 INTERIOR STEEL SUPPORT AS REQUIRED BY WINDOW WALL SYSTEM MANUFACTURER
- 33 INSULATED GLAZING UNIT
- 34 PREMANUFACTURED SLIDING WINDOW UNIT
- 35 CERAMIC TILE OVER 1/2" BACKER BOARD, WHERE OCCURS
- 36 3/8" GYP. BD. WHERE OCCURS
- 37 2x WOOD BLOCKING
- 38 HOLLOW METAL FRAME
- 39 VAPOR BARRIER
- 40 OVERHEAD DOOR MOTOR HOUSING
- 41 STUCCO BUMPOUT AT WINDOW HEAD ONLY. VERIFY SIZE TO MATCH EXISTING.
- 42 CARPET
- 43 VINYL COMP. TILE
- 44 CARPET TRANSITION TRIM



REVISIONS
08.30.02

CONSULTANT
TATE SNYDER KIMSEY ARCHITECTS
1000 S. LAS VEGAS BLVD., SUITE 200
LAS VEGAS, NEVADA 89101
PHONE: (702) 259-6533
FAX: (702) 382-3232
WWW.TSKARCHITECTS.COM

DEPARTMENT OF PUBLIC WORKS
CITY OF LAS VEGAS WEST SERVICE YARD
BUFFALO DRIVE AND PEAK ROAD
LAS VEGAS, NEVADA
DOOR AND WINDOW DETAILS



OWNER: CITY OF LAS VEGAS
DEPARTMENT OF PUBLIC WORKS
ARCHITECTURAL SERVICES

PLANS APPROVED
ARCHITECTURAL

Building & Safety Dept.
City of Las Vegas, Nevada

M/J JAN 14 2003

Does Not Include Structural, Electrical,
Plumbing/Mechanical or J&S-Plus
Improvements. Plans No Change
Without Approval. Plans to
Not & Permit to Violate Any Ordinance

NO.	DATE	DESCRIPTION
1	047A20	
2	08.30.02	
3	VARIES	
4	02.15.34.09	
5	07-V3548	