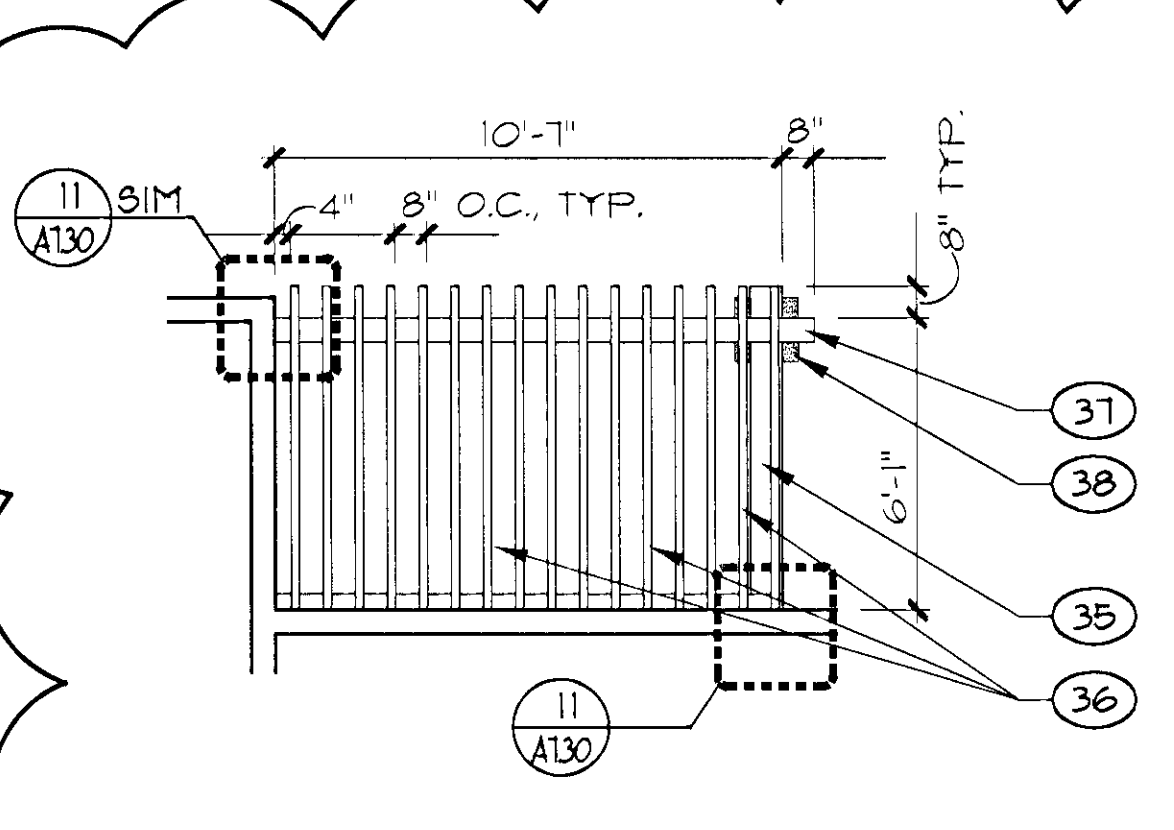


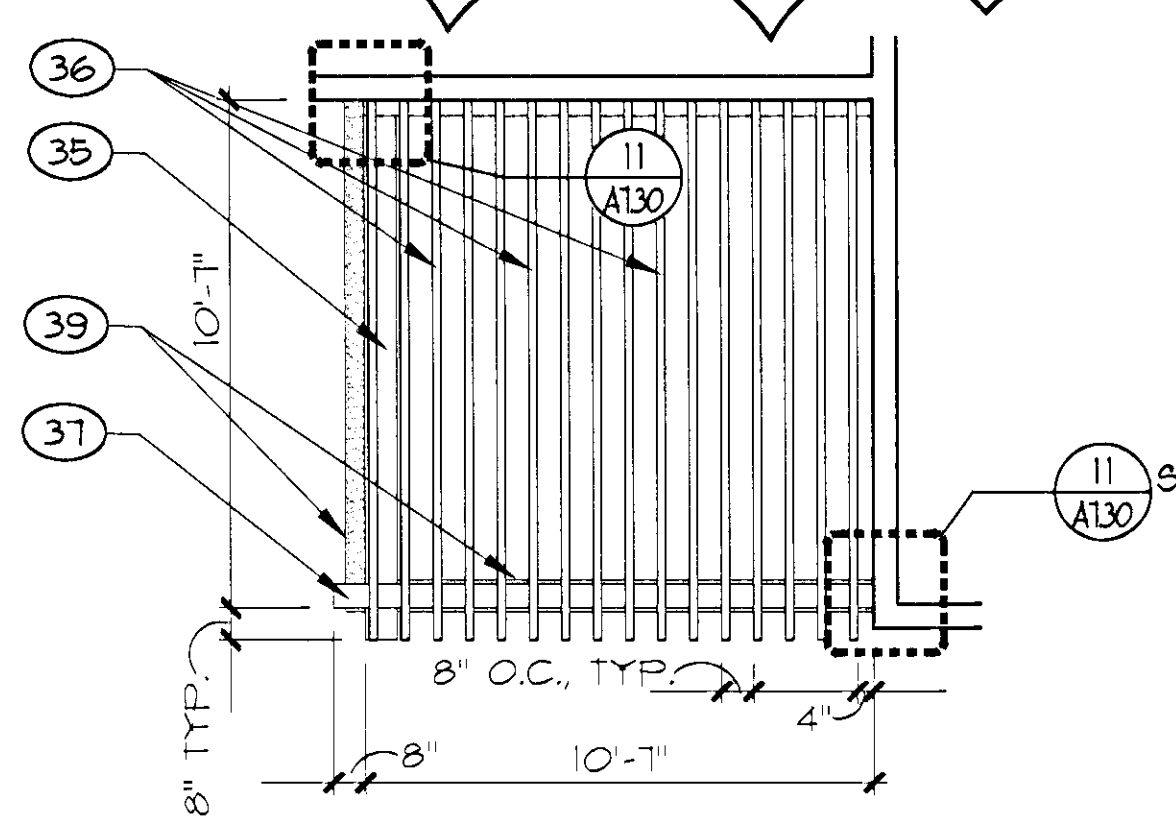
ENLARGED SHADE CANOPY @ NORTHEAST CORNER

SCALE: 1/4" = 1'-0" (NORTHWEST SIMILAR) E



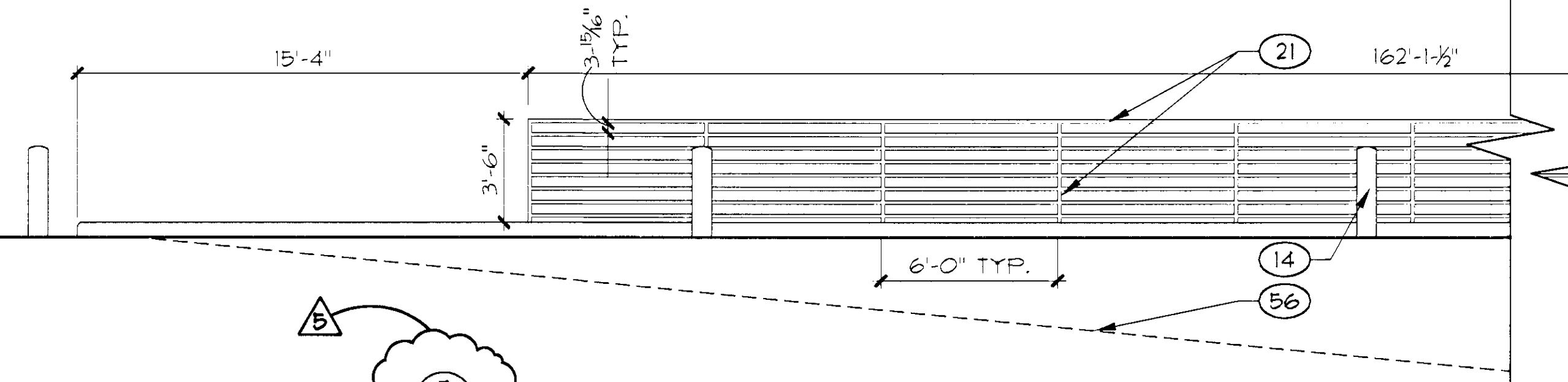
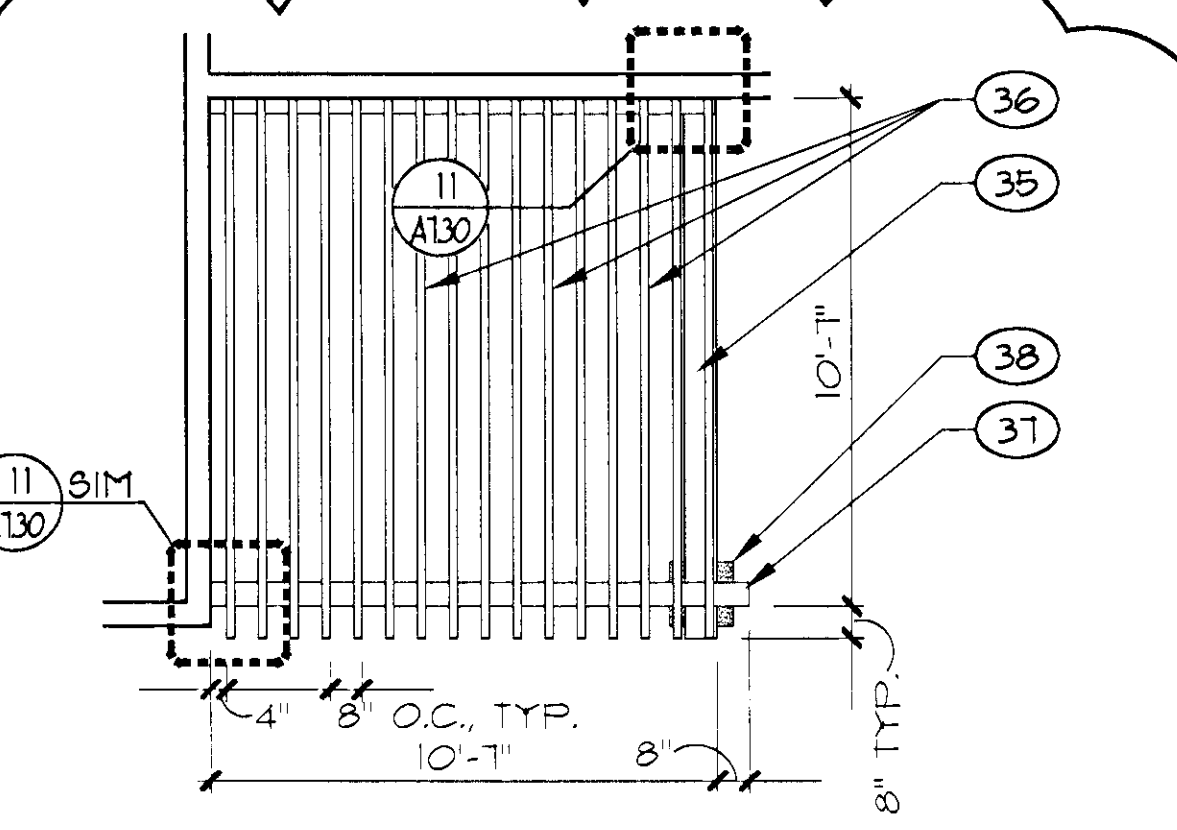
ENLARGED SHADE CANOPY @ SOUTHWEST CORNER

SCALE: 1/4" = 1'-0" D



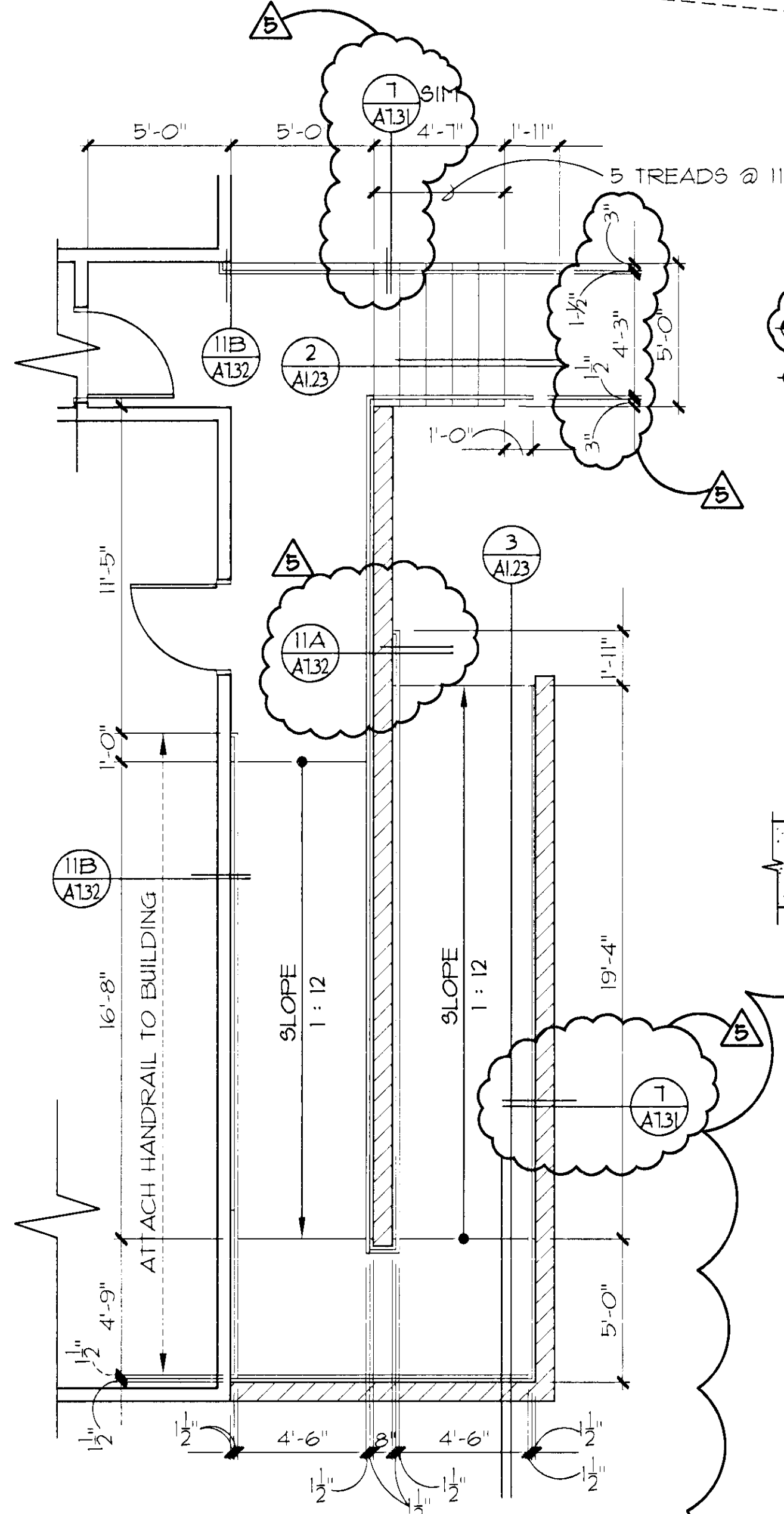
ENLARGED SHADE CANOPY @ SOUTHEAST CORNER

SCALE: 1/4" = 1'-0" C



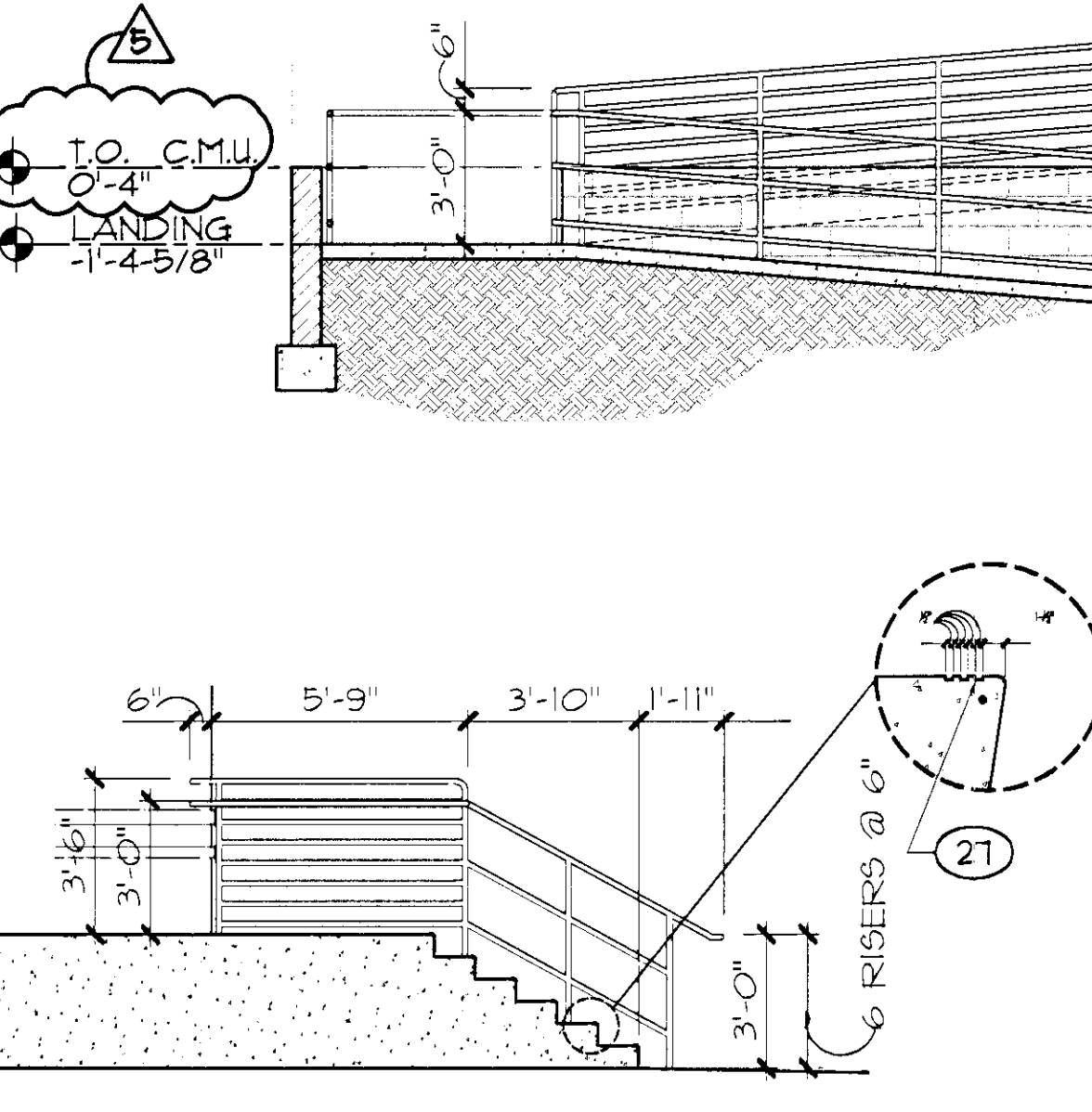
GUARDRAIL @ LOADING DOCK

SCALE: 1/4" = 1'-0" 4



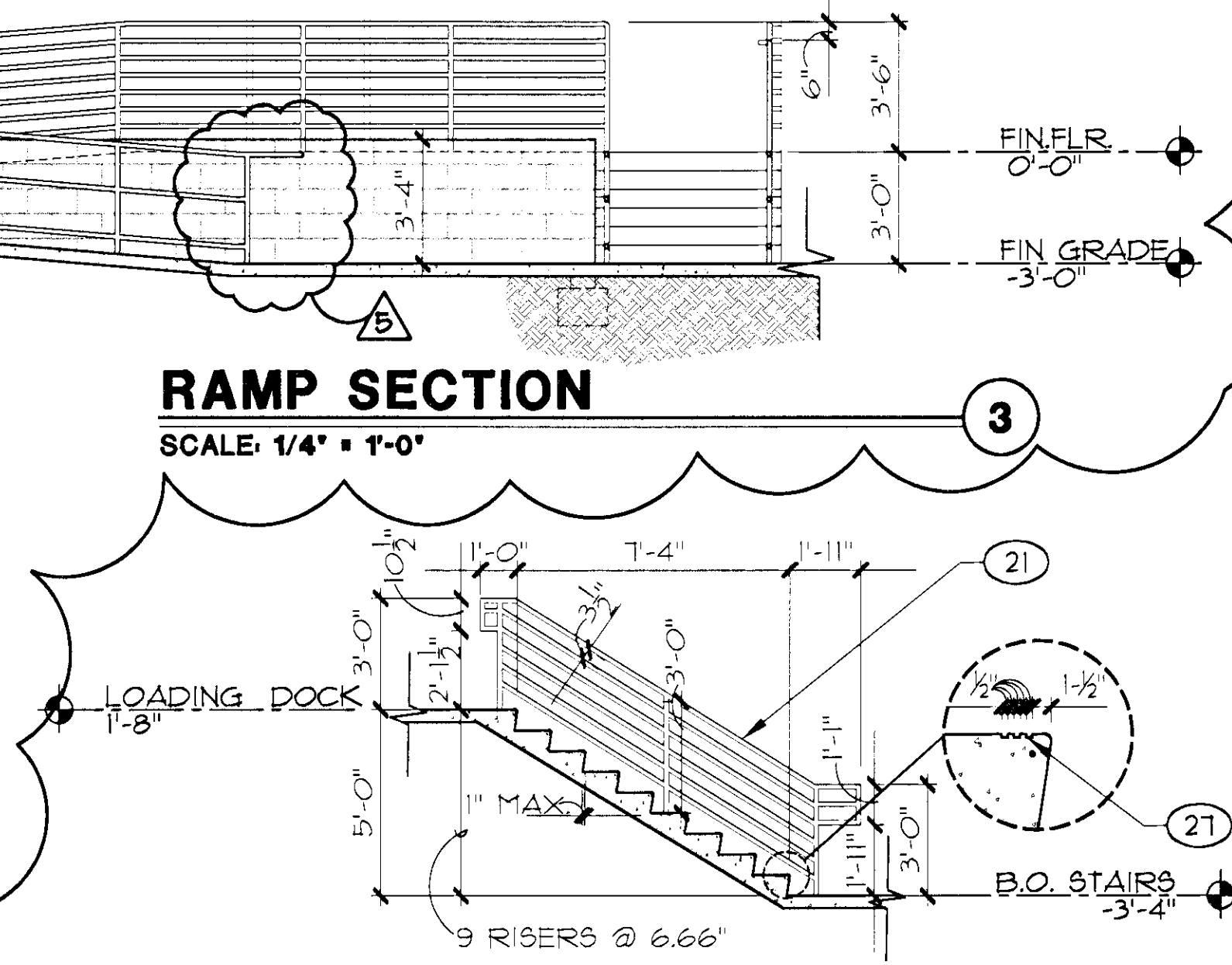
ENLARGED STAIR PLAN AND RAMP

SCALE: 1/4" = 1'-0" B



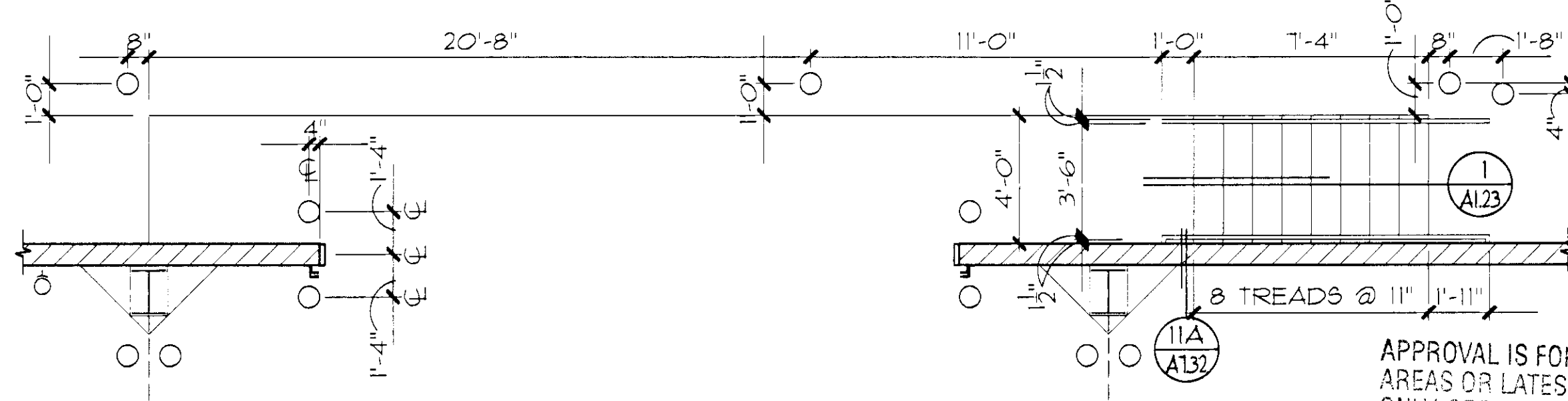
STAIR SECTION

SCALE: 1/4" = 1'-0" 2



STAIR SECTION @ LOADING DOCK

SCALE: 1/4" = 1'-0" 1



ENLARGED STAIR PLAN @ LOADING DOCK

SCALE: 1/4" = 1'-0" A

APPROVAL IS FOR CLOUDS AREAS OR LATEST REVISIONS ONLY. SEE ORIGINALS FOR OTHER REQUIREMENTS.

KEYNOTES

- SHEETS A1.11 - A1.15, A1.23
- 1 CMU WALL
 - 2 STANDING BEAM METAL ROOF
 - 3 STANDING BEAM FASCIA PANEL
 - 4 GUTTER
 - 5 DUCT, SEE MECH. DWGS.
 - 6 STEEL JOIST, SEE STRUCT. DWGS.
 - 7 OVERHEAD DOOR
 - 8 CONCRETE FLOOR SLAB, SEE STRUCT. DWGS.
 - 9 METAL DECK, SEE STRUCT. DWGS.
 - 10 STEEL BEAM, SEE STRUCT. DWGS.
 - 11 TUBE STEEL, SEE STRUCT. DWGS.
 - 12 EVAPORATIVE COOLER, SEE MECH. DWGS.
 - 13 SIDEWALL GIRT, SEE STRUCT. DWGS.
 - 14 8" DIA. STEEL BOLLARD
 - 15 CONCRETE ROOF TILE
 - 16 30 ROOF FELT
 - 17 PLYWOOD SHEATHING
 - 18 PREFABRICATED ROOF TRUSSES
 - 19 R-19 BATT INSULATION
 - 20 SUSPENDED ACOUSTICAL TILE SYSTEM
 - 21 1-1/2" DIA. PIPE RAIL, PTD. SEE A201 FOR COLOR
 - 22 CONCRETE STAIRS
 - 23 EXISTING STRUCTURE (SHOW LIGHT)
 - 24 EXISTING CONC. SLAB (SHOW LIGHT)
 - 25 EXISTING CEILING
 - 26 SUSPENDED GYP. BD. SOFFIT
 - 27 TOOLED NOSING, TYP.
 - 28 METAL ROOF PANELS
 - 29 METAL FASCIA PANEL, TO MATCH ROOF
 - 30 PREFABRICATED STEEL FRAME, SEE STRUCT. DWGS.
 - 31 PURLIN
 - 32 TRENCH DRAIN
 - 33 CONC. FOOTING, SEE STRUCT.
 - 34 T8 x 6 x 6, PTD. COLOR B
 - 35 T8 x 8 x 8, PTD. COLOR B
 - 36 T8 x 6 x 2, PTD. COLOR B
 - 37 T8 x 10 x 6, PTD. COLOR B
 - 38 SQUARE CONC. PIER BELOW 2 x 8 WALL BELOW
 - 40 GYP. BD. SOFFIT
 - 41 ALUMINUM STOREFRONT SYSTEM
 - 42 TAPERED RIGID INSULATION
 - 43 SINGLE-PLY ROOFING
 - 44 TJI ROOF JOIST, SEE STRUCT.
 - 45 WOOD BEAM - SEE STRUCT.
 - 46 A/C UNIT - SEE MECHANICAL
 - 47 EXHAUST FAN - SEE MECH.
 - 48 EXTERIOR CEMENT PLASTER
 - 49 2x6 WOOD FRAMING
 - 50 PREFABRICATED METAL WALL PANEL, INSULATED
 - 51 DOWNSPOUT
 - 52 CONC. LOADING DOCK, SEE STRUCT.
 - 53 TRANSLUCENT ROOF PANEL BY BLDG. MANUFACTURER, SEE ROOF PLAN A1.12
 - 54 BRACING, SEE STRUCT.
 - 55 LIGHT FIXTURE
 - 56 RAMP BEYOND
 - 57 CONT. VAPOR BARRIER

5 3 4 2 8 2

RECEIVED

MAR 18 2003

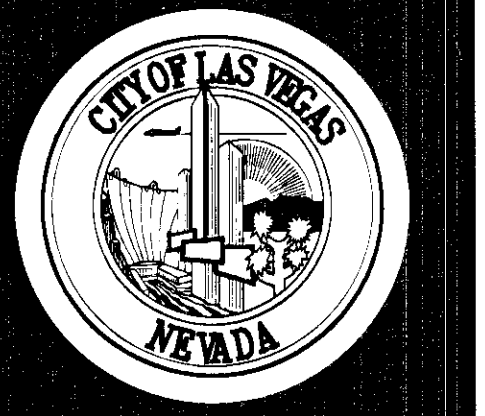
CITY OF LAS VEGAS

PLANS APPROVED ARCHITECTURAL Building & Safety Dept. City of Las Vegas, Nevada

MAR 20 2003

02.15341.03

107-V3548



REVISIONS
 08.30.02
 03.14.03

CONSULTANT
TATE SNYDER KIMSEY ARCHITECTS
 780 South Virginia Street, Henderson, Nevada 89015, Ph: 702-486-3000, Fax: 702-486-1000
 www.tatekimsey.com

CITY OF LAS VEGAS WEST SERVICE YARD
BUFFALO DRIVE AND PEAK ROAD
LAS VEGAS, NEVADA
ENLARGED PLANS



OWNER: CITY OF LAS VEGAS
 DEPARTMENT OF PUBLIC WORKS
 ARCHITECTURAL SERVICES

400 EAST STEWART AVENUE
 LAS VEGAS, NEVADA 89101
 PHONE: (702) 229-5535
 FAX: (702) 386-3232
 TDD: (702) 386-9108

DATE: 03/14/03
 SCALE: VARIES
 SHEET NO: 02.15341.03
 DRAWING NO: 107-V3548