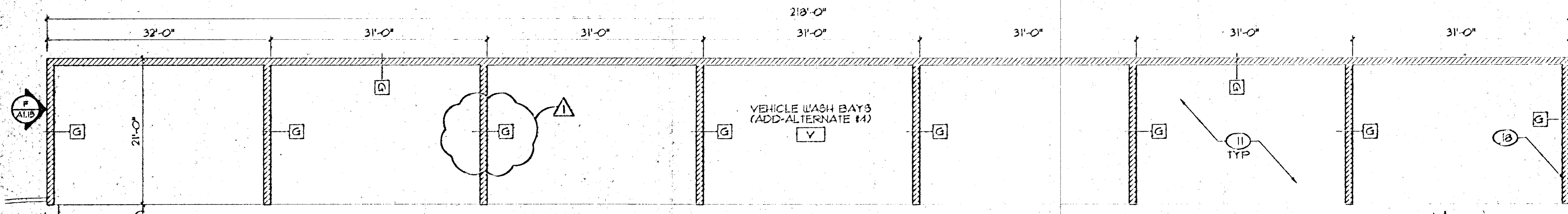
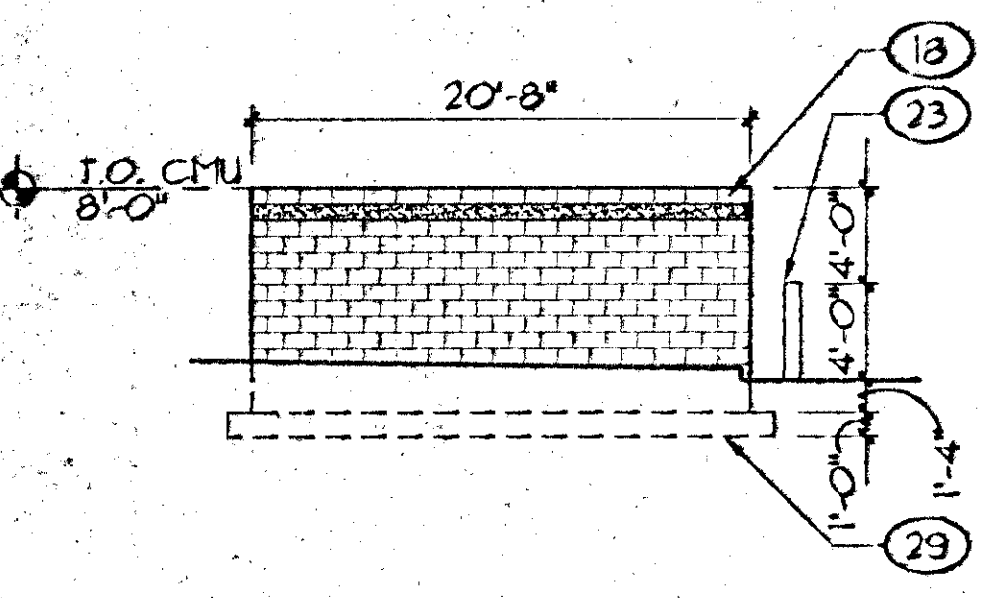


MATERIAL BINS EAST ELEVATION
SCALE: 1/8" = 1'-0"
ADD-ALTERNATE #4

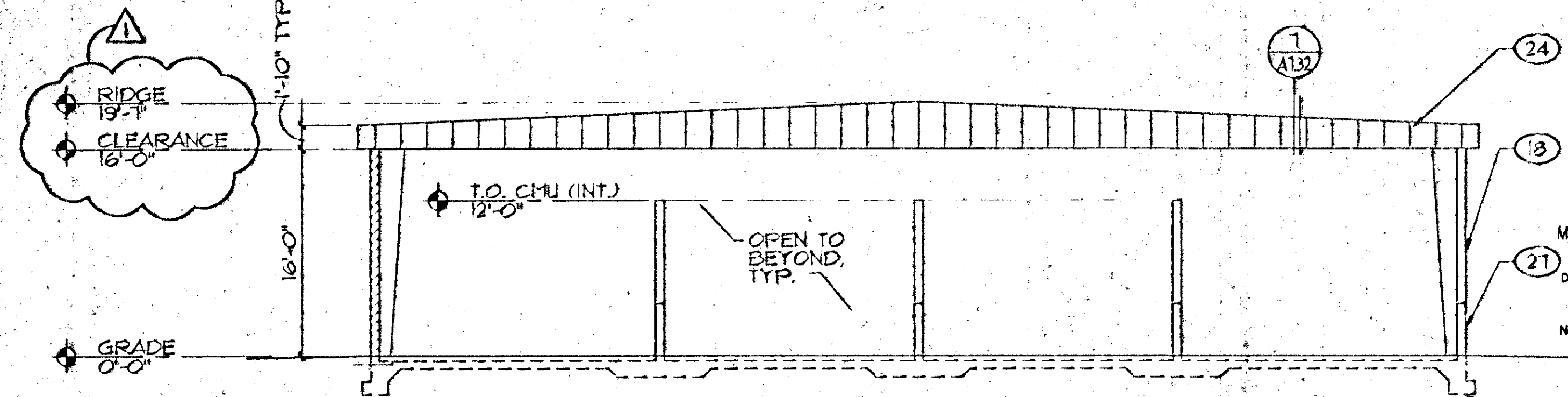


MATERIAL BINS FLOOR PLAN
SCALE: 1/8" = 1'-0"
ADD-ALTERNATE #4



MATERIAL BINS SOUTH ELEVATION
SCALE: 1/8" = 1'-0"
ADD-ALTERNATE #4

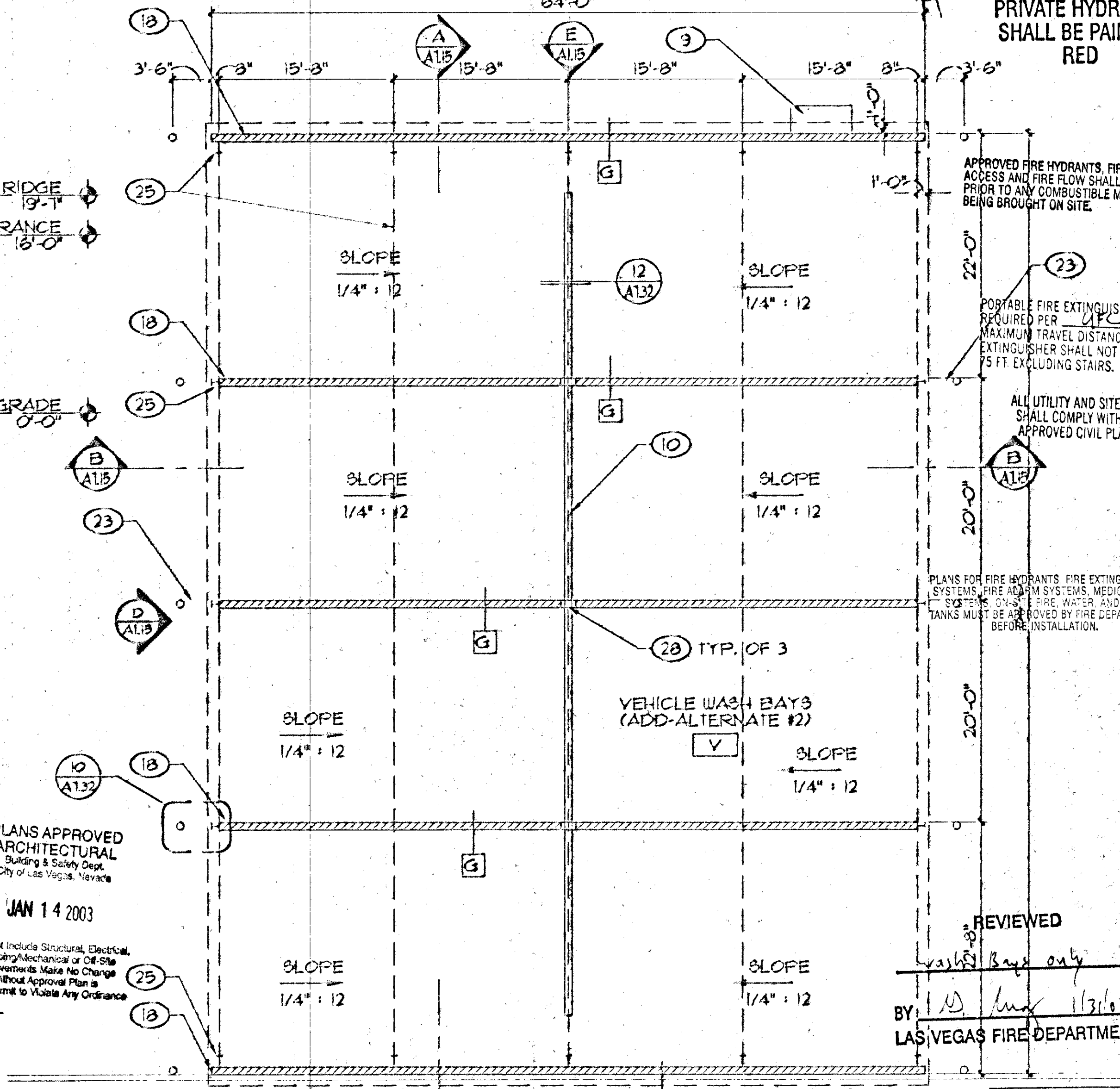
CMU LEGEND	
	CMU A SEE SHEET A2.01
	CMU B SEE SHEET A2.01



WASH BAYS WEST ELEVATION
SCALE: 1/8" = 1'-0"
ADD-ALTERNATE #2

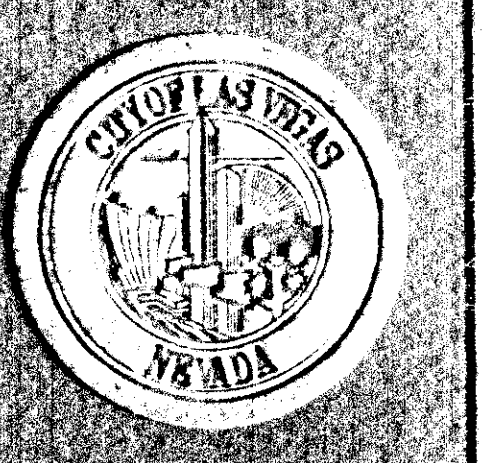


WASH BAYS SOUTH ELEVATION
SCALE: 1/8" = 1'-0"
ADD-ALTERNATE #2



WASH BAYS FLOOR PLAN
SCALE: 1/8" = 1'-0"
ADD-ALTERNATE #2

- KEYNOTES**
SHEETS A111 - A113
- 4" x 2" DUCTLESS WRITING SURFACE
 - WALL-MOUNTED PROJECT SCREEN @ 3'-0" AFF
 - VENDING MACHINE (N/C)
 - ICE MACHINE (N/C)
 - LOCKERS
 - LOCKER BENCH, N/C
 - CMU RETAINING WALL
 - CONCRETE LOADING DOCK
 - CONCRETE EQUIPMENT PAD
 - TRENCH DRAIN, SEE PLUMBING DRAWINGS
 - CONCRETE SLAB
 - PERFORATED METAL SCREEN
 - EYEWASH
 - WALL-MOUNTED MOP RACK
 - FLOOR DRAIN, SEE PLUMB. DUGS.
 - WALL-MOUNTED SINK
 - HOSE BIB
 - CMU WALL
 - PERFORATED METAL GATE SEE A/A2103
 - EXHAUST FAN, MOUNTED IN WALL PANEL ABOVE, SEE MECH. DUGS.
 - LOCATE OWNER-FURNISHED MEMORIAL BENCH
 - CONSTRUCTION JOINT, SEE STRUCTURAL DRAWINGS
 - BOLLARD, TYP
 - METAL ROOF
 - STEEL FRAMING, SEE STRUCTURAL DRAWINGS
 - 1-1/2" DIA. STEEL PIPE RAILING, PTD. (SEE A2.01 FOR COLOR), SEE ELEV.
 - 3" O.D. STEEL PIPE BOLLARD, PAINTED
 - OPENING AT FLOOR LEVEL FOR TRENCH DRAIN, SEE STRUCTURAL
 - CONCRETE FOOTING, SEE STRUCT. DUGS.
 - TUBE STEEL COLUMN, PTD. SEE STRUCT. DUGS.
 - FLOOR SINK, SEE PLUMB. DUGS.
 - DRINKING FOUNTAIN, SEE PLUMB. DUGS.
 - PREFABRICATED WALL PANELS
 - REMOVE EXIST. SIDEWALK AND LANDSCAPING
 - WOVEN-WIRE PARTITIONS
 - REMOVE EXIST. STUCCO FINISH + METAL LATH TO EXPOSE EXIST. SHEATHING
 - REMOVE EXIST. STUCCO FR. COLUMNS, TYP. OF 4
 - REMOVE EXIST. CONC. TILE FROM ROOF AREA SHOWN ABOVE
 - REMOVE EXIST. STOREFRON
 - REMOVE EXIST. WINDOW
 - REMOVE AND RELOCATE EXIST. SITE LAMP, SEE ELEC. DUGS.
 - REMOVE EXIST. ARCHES + STUCCO SOFFIT FR. ABOVE
 - ROOF ACCESS LADDER
- GENERAL NOTES**
- FOR A111, FIELD OPERATIONS BUILDING, ALL INTERIOR PARTITIONS TO BE TYPE 'A' UNO.
 - FOR A111, FIELD OPERATIONS BUILDING, FF ELEV. ±0'-0" IS EQUAL TO FF ELEV 10.53 ON CIVIL DRAWINGS
 - FOR A112, MATERIALS HAND. BUILDING, FF ELEV. ±0'-0" IS EQUAL TO FF ELEV 10.52 ON CIVIL DRAWINGS
 - FOR A113, FIELD MAINT. BUILDING, FF ELEV. ±0'-0" IS EQUAL TO FF ELEV 11.53 ON CIVIL DRAWINGS
 - ALL FURNISHINGS N.I.C. UNO.
 - SEE A230 FOR WALL TYPES



CITY OF LAS VEGAS WEST SERVICE YARD
BUFFALO DRIVE AND PEAK ROAD
LAS VEGAS, NEVADA
PLANS AND ELEVATIONS
MATERIAL BINS AND WASH BAYS

STATE SWYDER KIMSEY ARCHITECTS
1000 West Flamingo Avenue, Suite 200, Las Vegas, NV 89119
TEL: (702) 388-3332
FAX: (702) 388-9108

RECEIVED
SEP 06 2002
CITY OF LAS VEGAS
BUILDING DEPT.

REVIEWED
BY: [Signature]
LAS VEGAS FIRE DEPARTMENT

NO.	DATE	DESCRIPTION
1	04/11/15	083002
2	02/15/10	02.1534103
3	10/1/07	107-V3548

OWNER: CITY OF LAS VEGAS
DEPARTMENT OF PUBLIC WORKS
ARCHITECTURAL SERVICES

100 EAST STEWART AVENUE
LAS VEGAS, NEVADA 89101
PHONE: (702) 229-6225
FAX: (702) 388-3332
WWW: (702) 388-9108

STATE REGISTERED ARCHITECT
NO. 4440
9/12
STATE OF NEVADA

A1.15