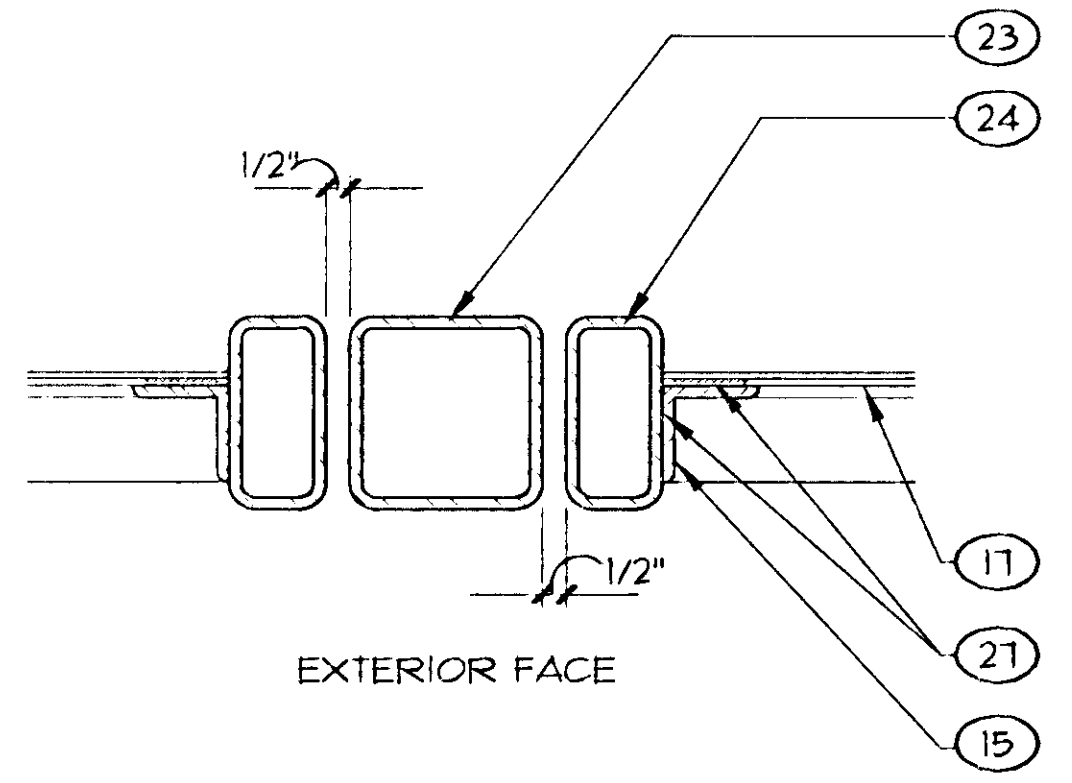


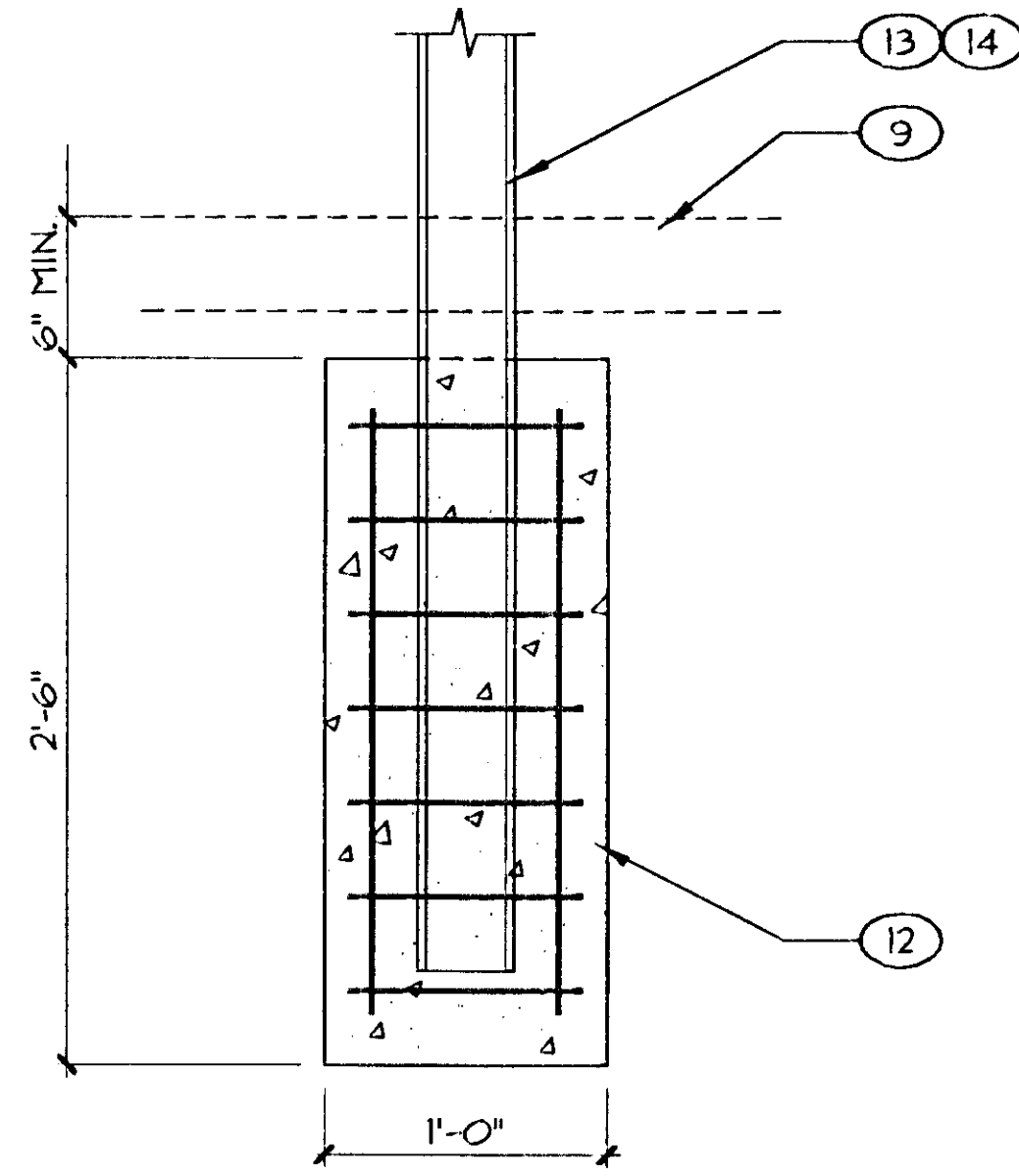
FENCE DETAIL @ CANOPY COLUMN

SCALE: 3" = 1'-0"



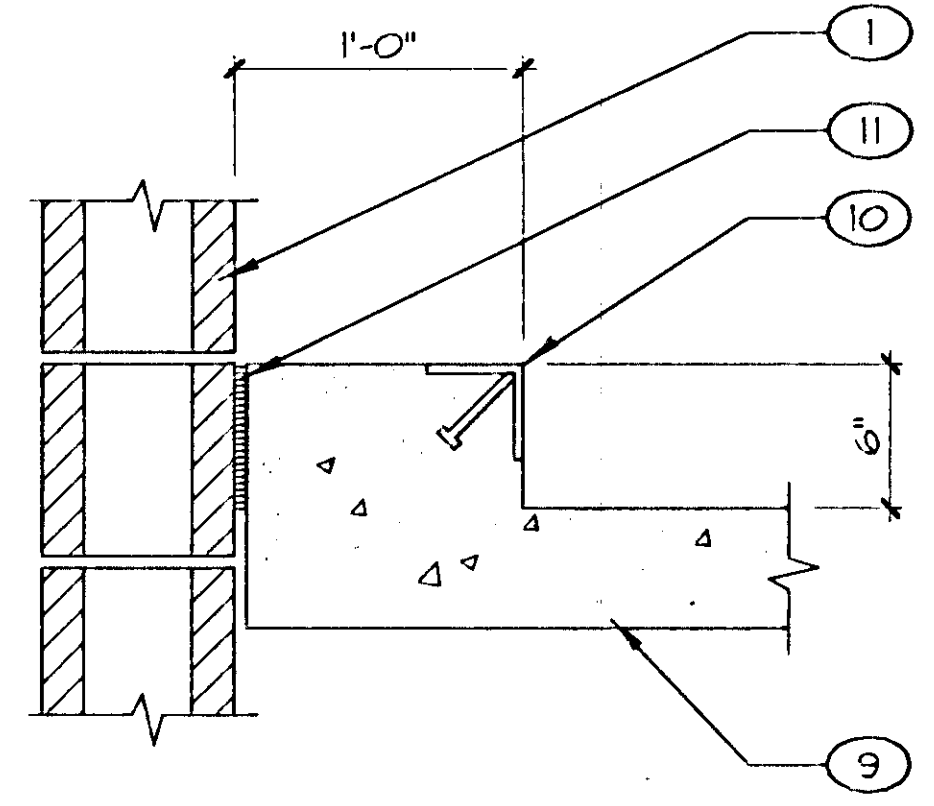
TUBE STEEL FOOTING

SCALE: 1-1/2" = 1'-0"



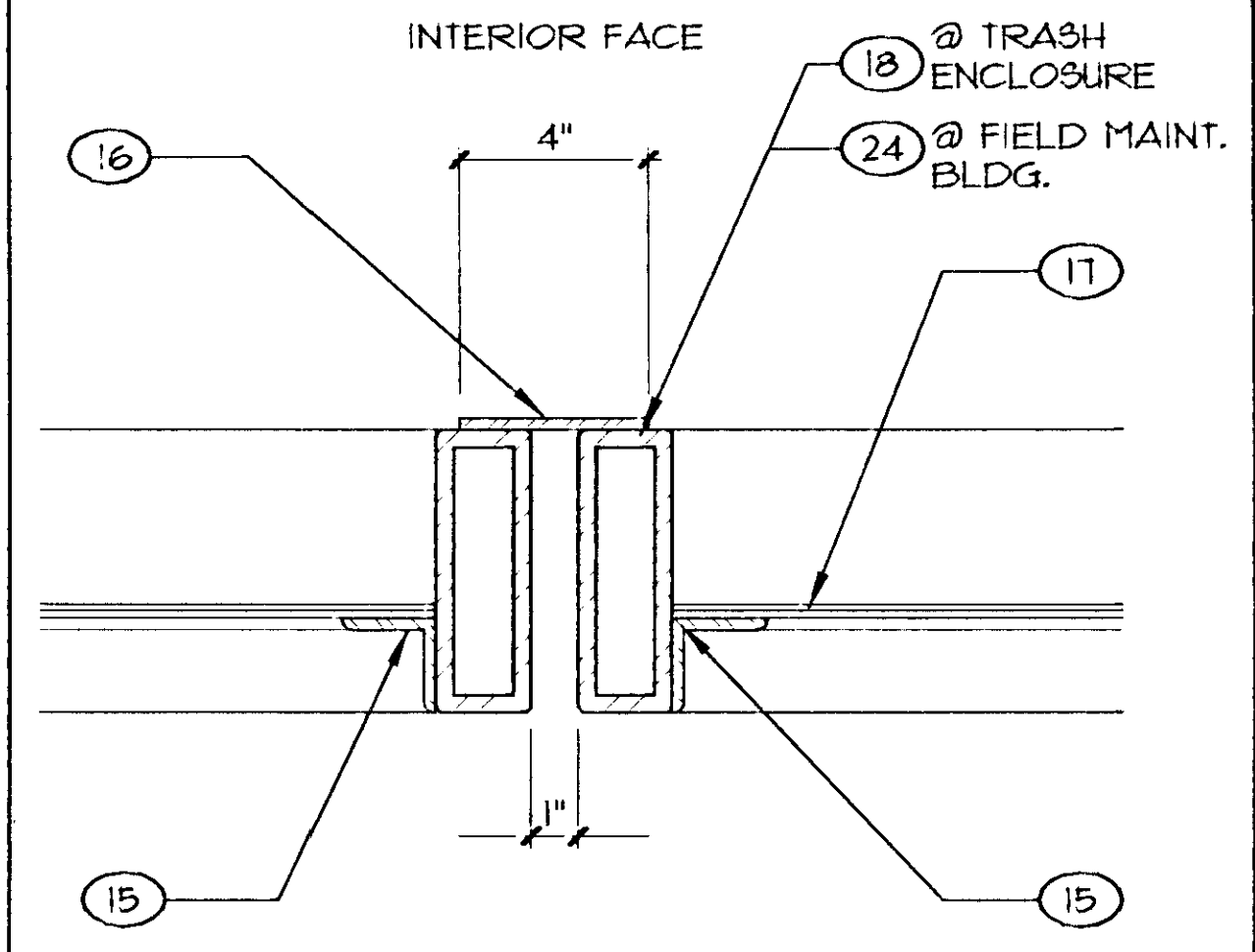
CONCRETE EDGE DETAIL

SCALE: 1-1/2" = 1'-0"



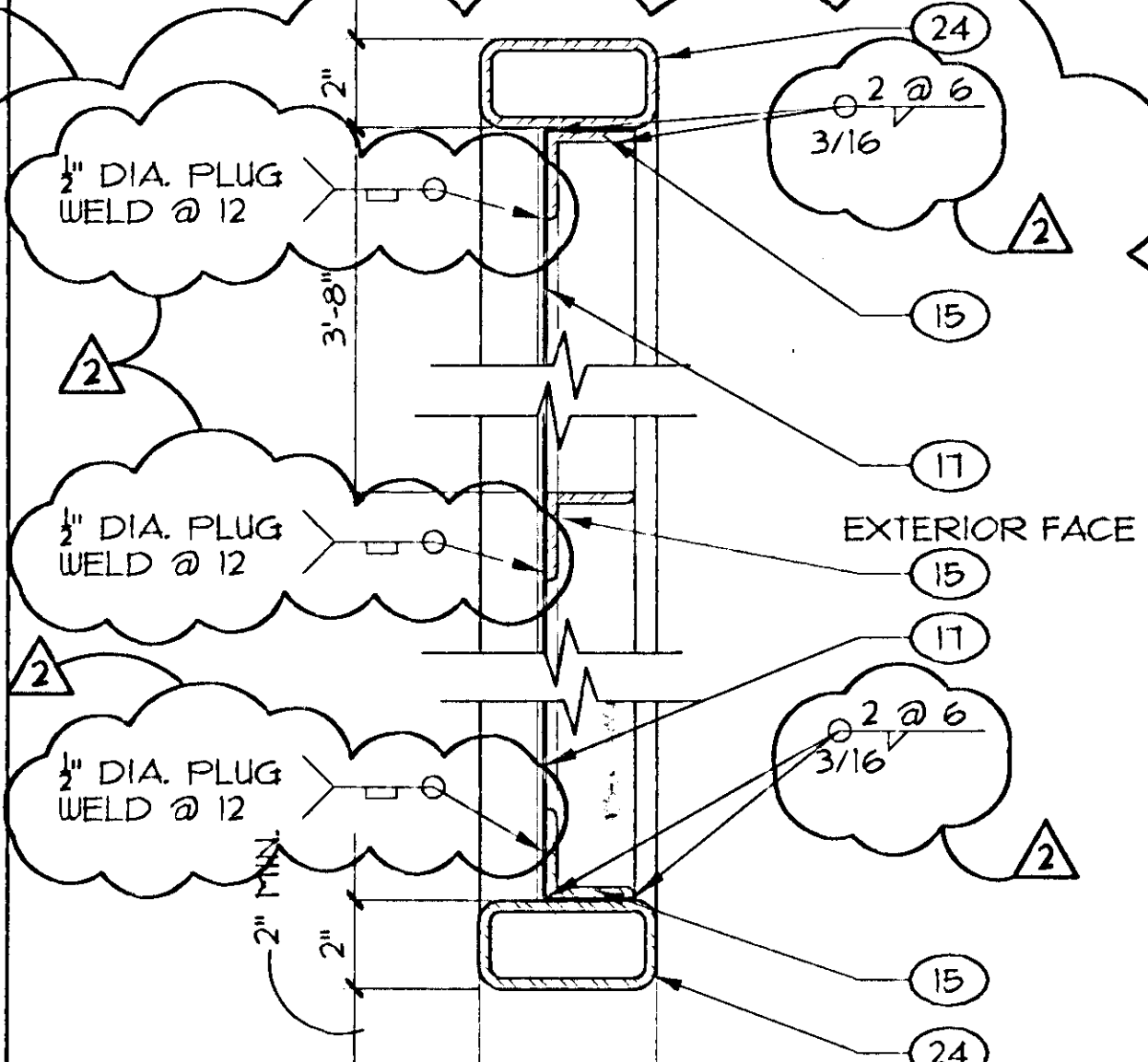
CLOSURE PLATE

SCALE: 3" = 1'-0"



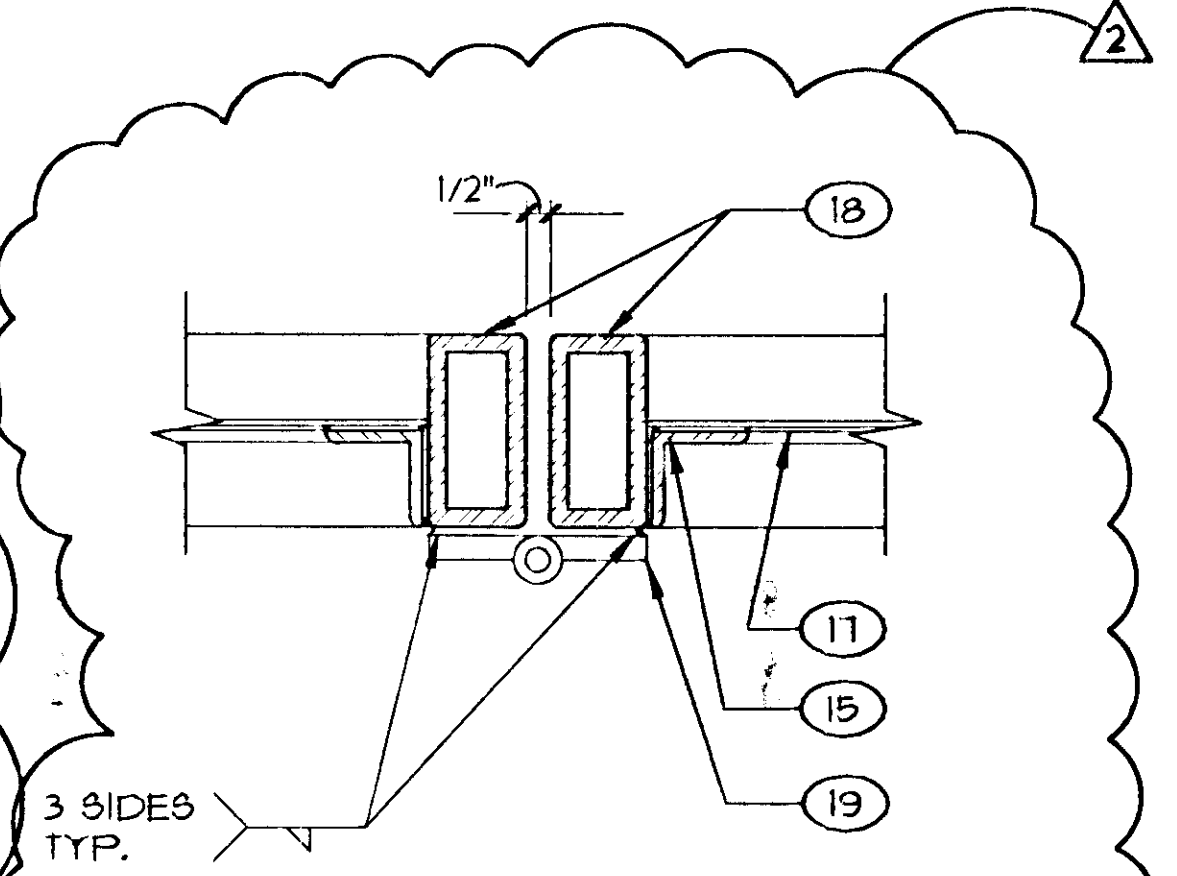
SECTION @ FENCE / GATE (PLAN SIMILAR)

SCALE: 3" = 1'-0"



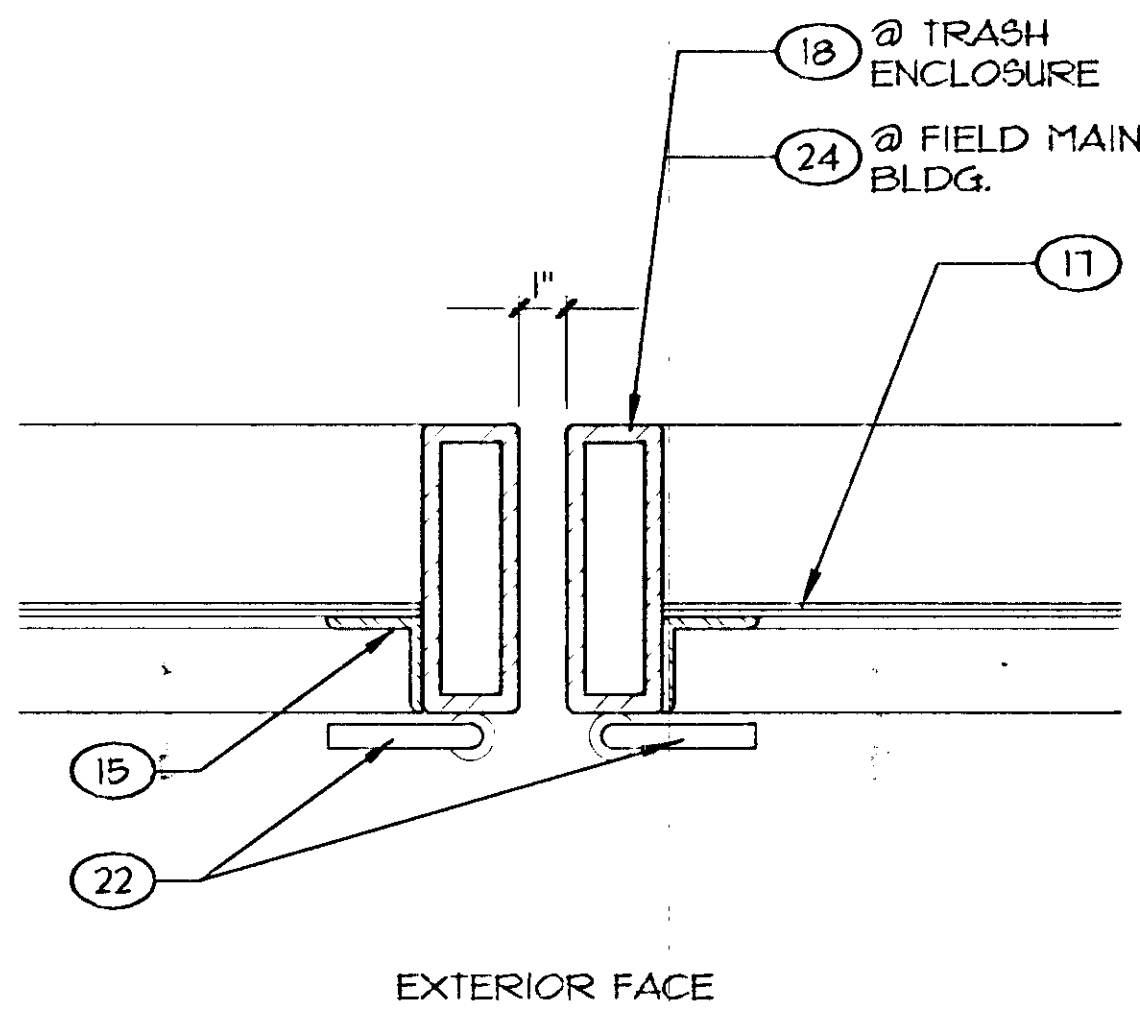
FENCE DETAIL @ GATE HINGE

SCALE: 3" = 1'-0"



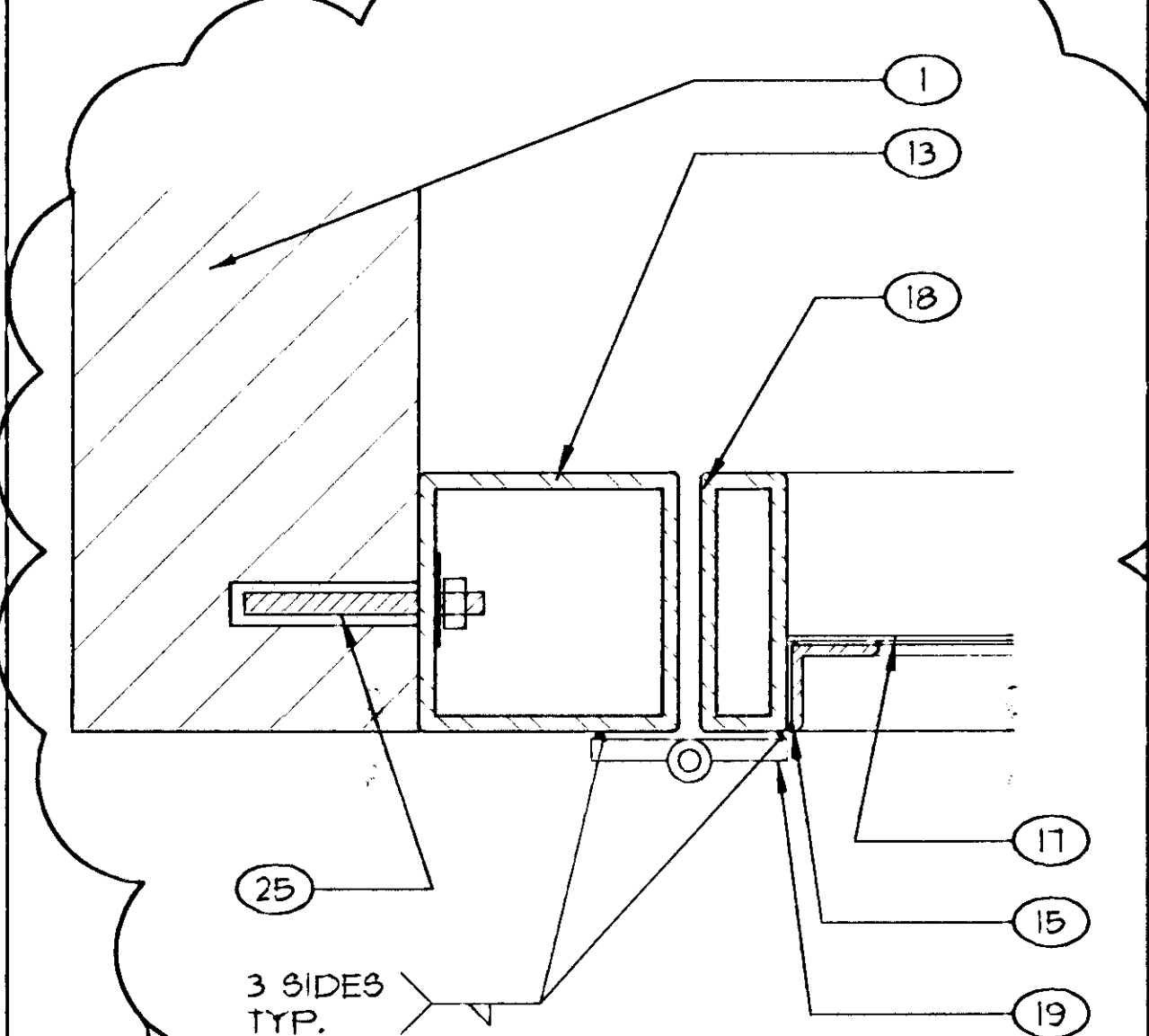
GATE @ CANE BOLTS

SCALE: 3" = 1'-0"



JAMB DETAIL

SCALE: 3" = 1'-0"

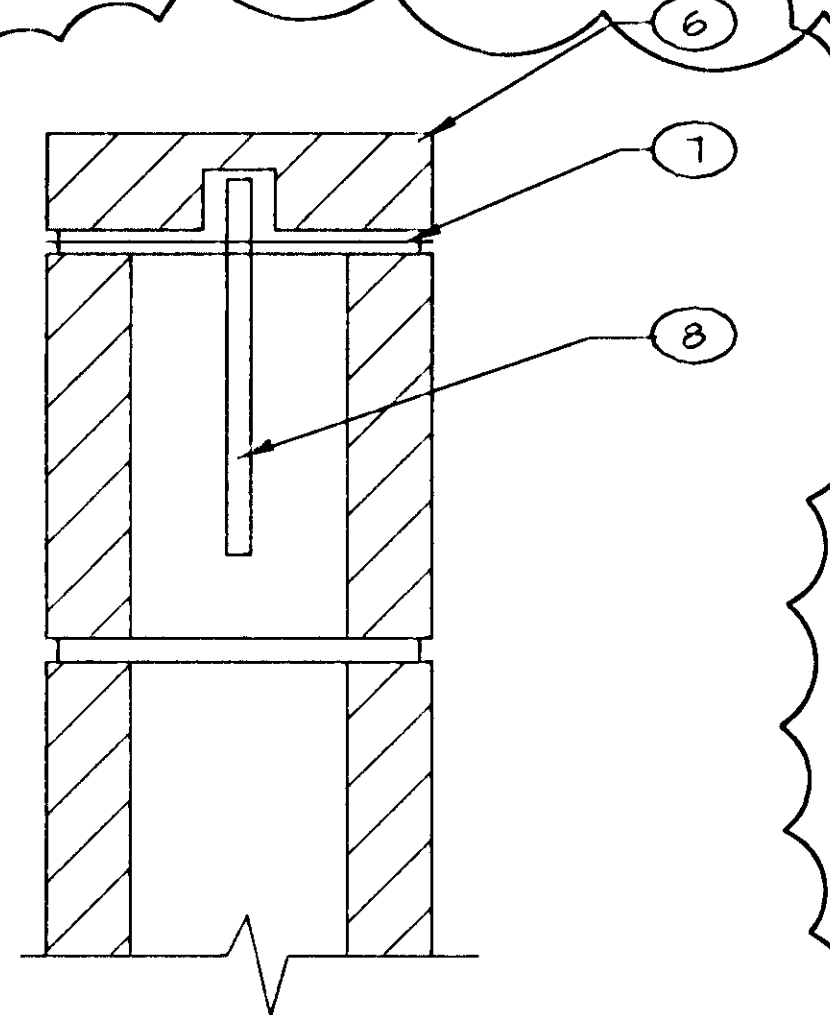


KEYNOTES

- 1 CMU WALL
- 2 TRASH RECEPTACLES BY OTHERS
- 3 16" DIA. X 16" DEEP CONCRETE CANE BOLT RECEIVER IN PAVING
- 4 BOLLARD
- 5 ACCESS GATE - PAINTED SEE SHT. A2.01 FOR COLOR
- 6 2" CMU CAP BLOCK
- 7 THRU-WALL FLASHING
- 8 TWO (2) 1/2" X 8" LONG REBAR ANCHORS PER CAP, DRILL AND EPOXY GLUE INTO CAP BLOCK
- 9 5" THICK CONC. SLAB AND TRASH ENCLOSURE LANDING 5" SLAB WITH #4 @ 24" OC
- 10 4" X 4" X 3/8" GALVANIZED ANGLE, WITH 1/2" DIA X 4" STUDS @ 6" OC. ANGLE TO BE FLUSH W/ SLAB
- 11 1/2" EXPANSION BOARD
- 12 12" DIA CONCRETE FOOTING X 2'-6" DEEP, W/ 4 #4 VERT. AND #3 TIES @ 4" OC
- 13 T8 6" X 6" X 3/8", PAINTED
- 14 T8 4" X 4" X 3/8", PAINTED
- 15 2" X 2" X 1/4" STEEL ANGLE, WELD TO FRAME
- 16 4" X 4" X 3/8" STEEL PLATE, WELD TO GATE ONE SIDE ONLY
- 17 PERFORATED STEEL PLATE, 18 GAUGE FLAIN STEEL WITH 1/4" DIA HOLES AT 3/8" O.C., STAGGERED, PAINTED, WELD FULLY TO FRAME
- 18 T8 2" X 6" X 3/8", PAINTED
- 19 DOUBLE WEIGHT, CONCEALED BALL BEARING "PRISON HINGE," FULLY WELD TO GATE FRAME AND TUBE COLUMN, 4 PER LEAF, TYP. (SQUAGED TYPE)
- 20 CONCRETE SIDEWALK, CONTROL JOINTS @ 5'-0" O.C., UNO.
- 21 FLANTER AREA
- 22 1/2" DIA CANE BOLT
- 23 T8 4" X 4" X 1/4" CANOPY COLUMN, PAINTED
- 24 T8 4" X 2" X 1/4", PAINTED
- 25 1/2" DIA. X 5-1/2" THREADED ROD W/ 4" MIN. EMBEDMENT. TIGHTEN NUT TO 22-25 FT.-LBS. MIN. 5 EQUALLY-SPACED AT C.L. OF CMU COURSE TYP. AT EACH TUBE STEEL
- 26 RELOCATED MEMORIAL BENCH. (SEE A114)
- 27 WELD FULLY

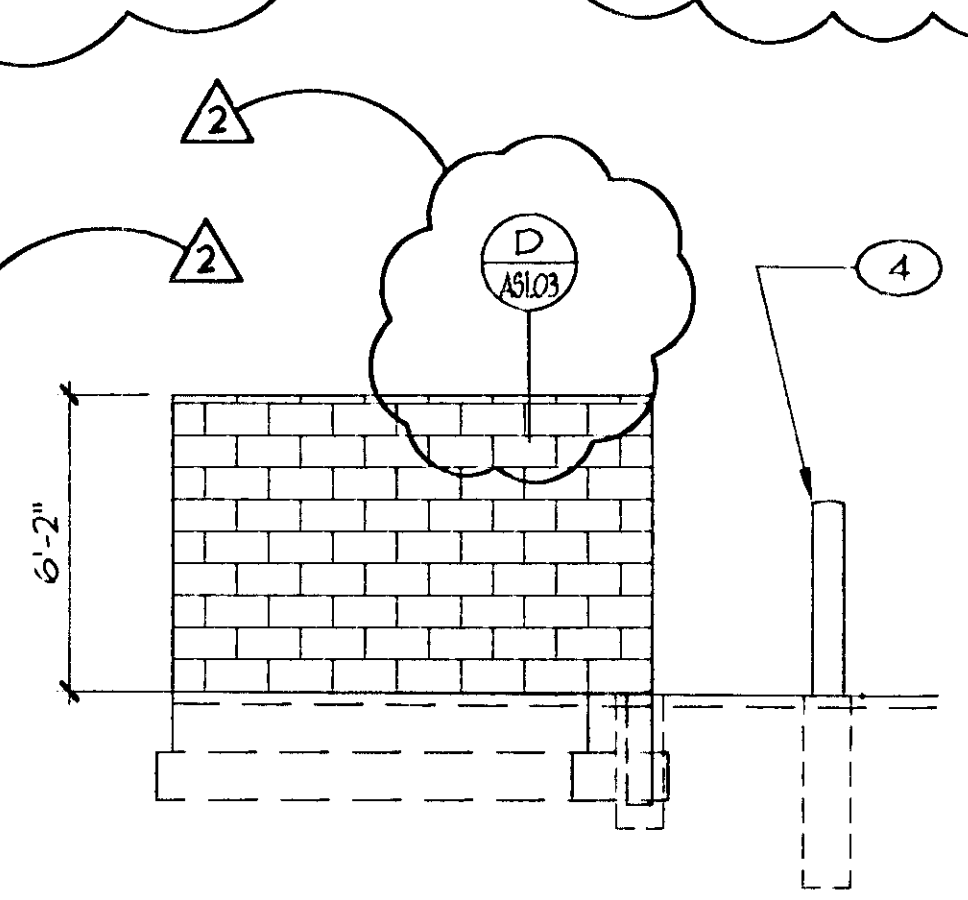
C.M.U. CAP DETAIL

SCALE: 3" = 1'-0"



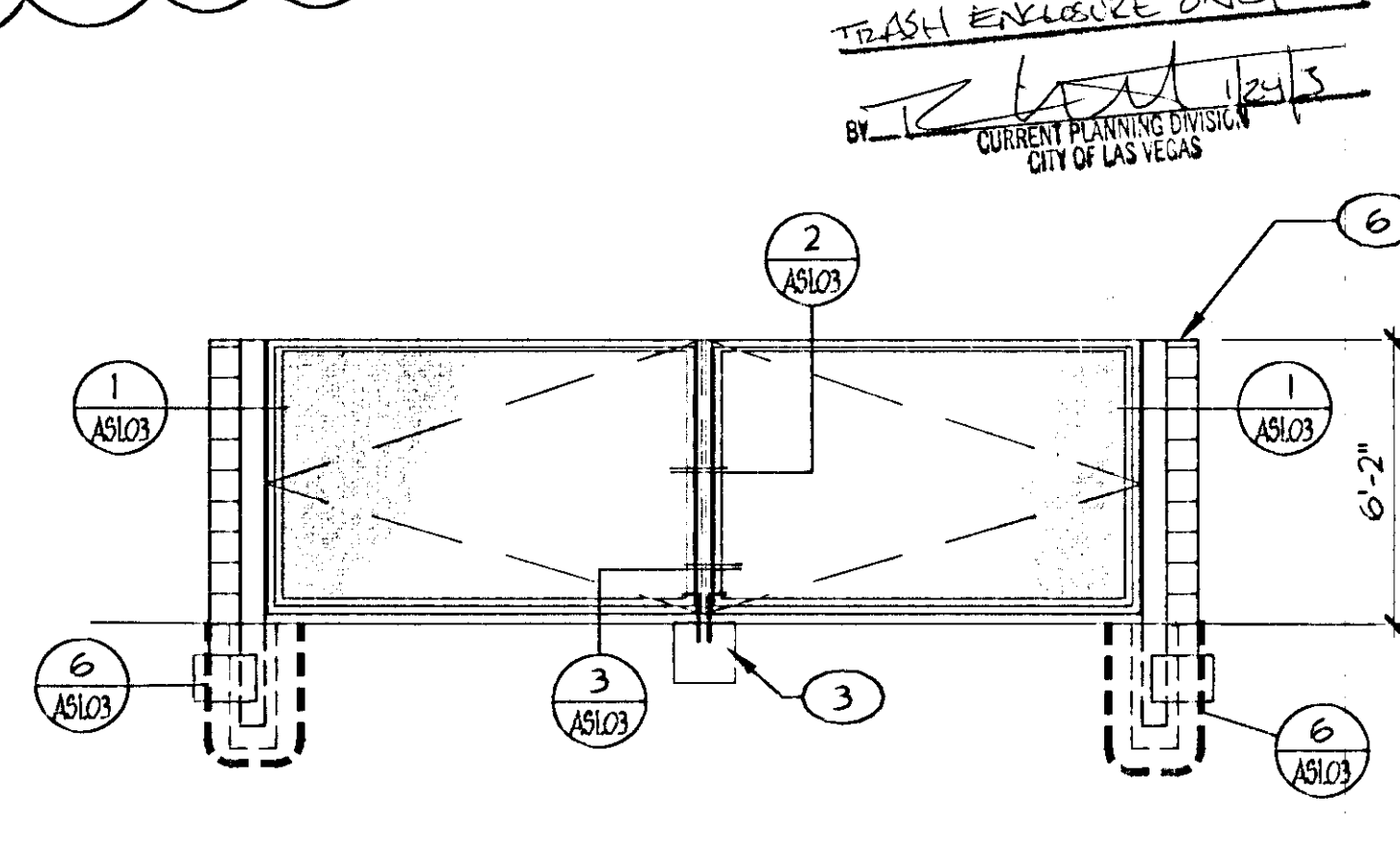
EXTERIOR ELEVATION

SCALE: 1/4" = 1'-0"



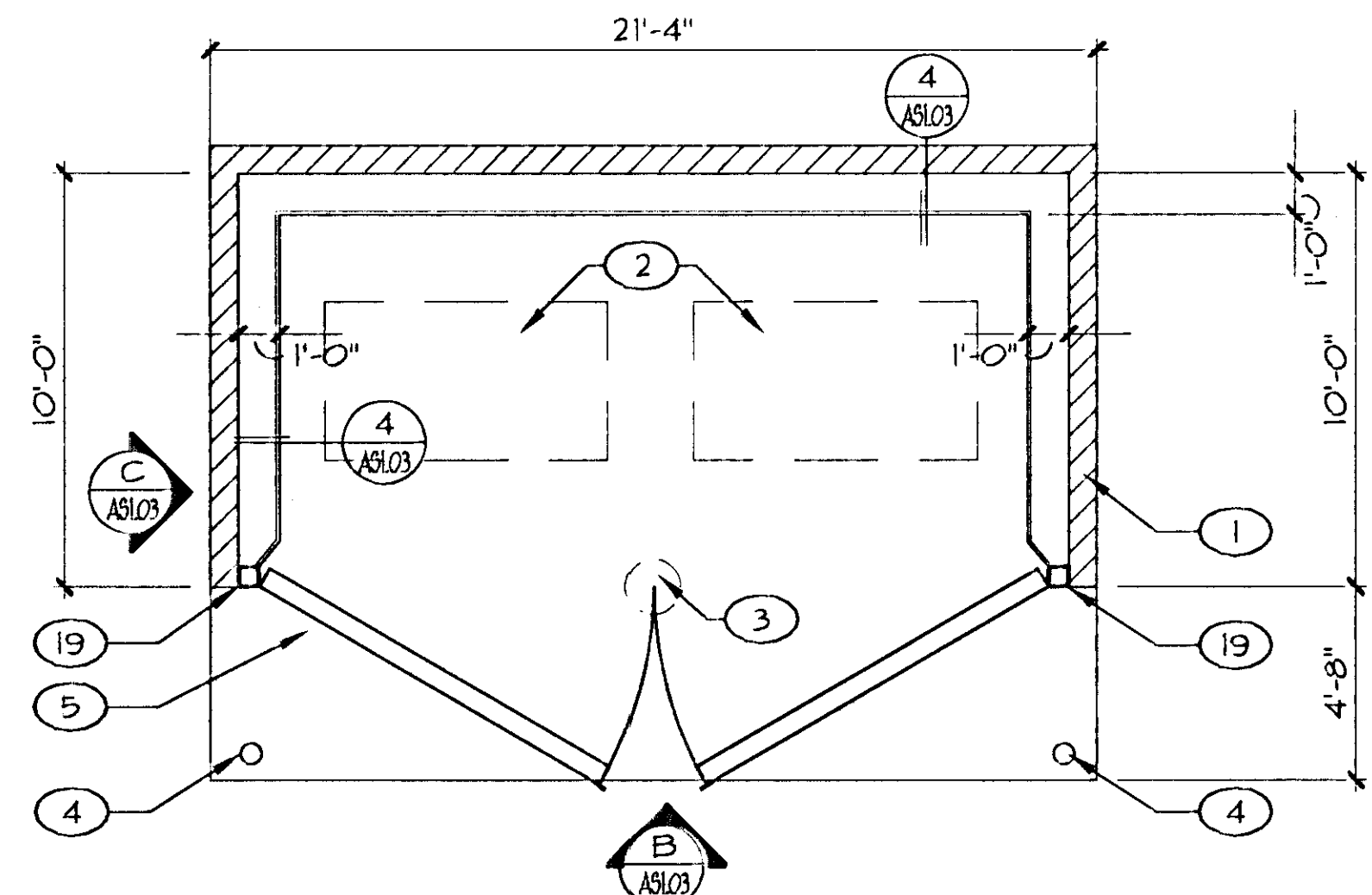
EXTERIOR ELEVATION

SCALE: 1/4" = 1'-0"



TRASH ENCLOSURE

SCALE: 1/4" = 1'-0"

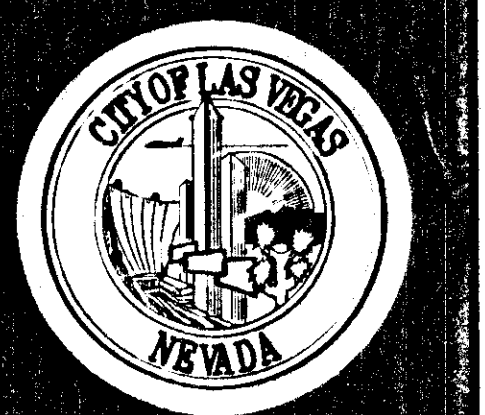


APPROVED
TRASH ENCLOSURE ONLY
BY [Signature]
CITY PLANNING DIVISION
CITY OF LAS VEGAS

505198
RECEIVED
OCT 17 2002
CITY OF LAS VEGAS
BUILDING DEPT.
REVIEWED BY

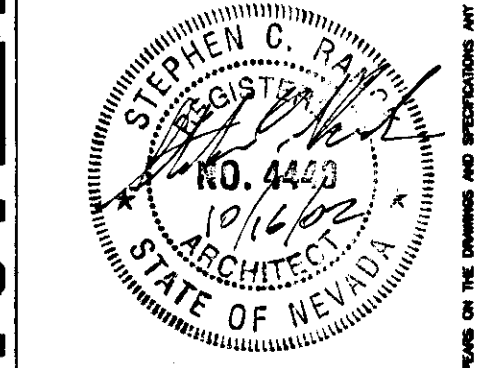
LEGEND

- REAL PROPERTY LINE: _____
- ASSUMED PROPERTY LINE: _____
- ACCESSIBLE ROUTE:
- GENERAL NOTE:
1. ALL AC, PAVING, LAND-SCAPING, IRRIGATION, AND PARKING LOT POLES IN AREA III ARE CONSIDERED ADDITIVE ALTERNATE 'B'
- 2. SEE A2.01 FOR PAINT COLORS



REVISIONS
0830.02
10.16.02
CONSULTANT
TATE SNYDER KIMBEY ARCHITECTS
700 Main Street Court Henderson, Nevada 89015
702.458.3000 Fax 702.458.3001
www.tate-snyder-kimbeys.com

DEPARTMENT OF PUBLIC WORKS
CITY OF LAS VEGAS WEST SERVICE YARD
BUFFALO DRIVE AND PEAK ROAD
LAS VEGAS, NEVADA
SITE DETAILS



OWNER: CITY OF LAS VEGAS
DEPARTMENT OF PUBLIC WORKS
ARCHITECTURAL SERVICES
400 EAST STEWART AVENUE
LAS VEGAS, NEVADA 89101
PHONE: (702) 229-6333
FAX: (702) 382-3232
TDD: (702) 366-9108

DRAWN: JFE
FILE: 047AS103
DATE: 0830.02
SCALE: VARIES
SHEET NO: 02.15341.03
SHEET NO: 101-V3548

AS.103