



REVISIONS

DESIGN

poggemeyer
design group, inc.

planning • surveys • landscape architects
engineers • planners • Las Vegas, NV 89129 • P: 702.255.8100 • F: 702.255.8175

DEPARTMENT OF PUBLIC WORKS

CITY OF LAS VEGAS WEST SERVICE YARD
BUFFALO DRIVE AND PEAK ROAD
LAS VEGAS, NEVADA
TYPICAL DETAILS

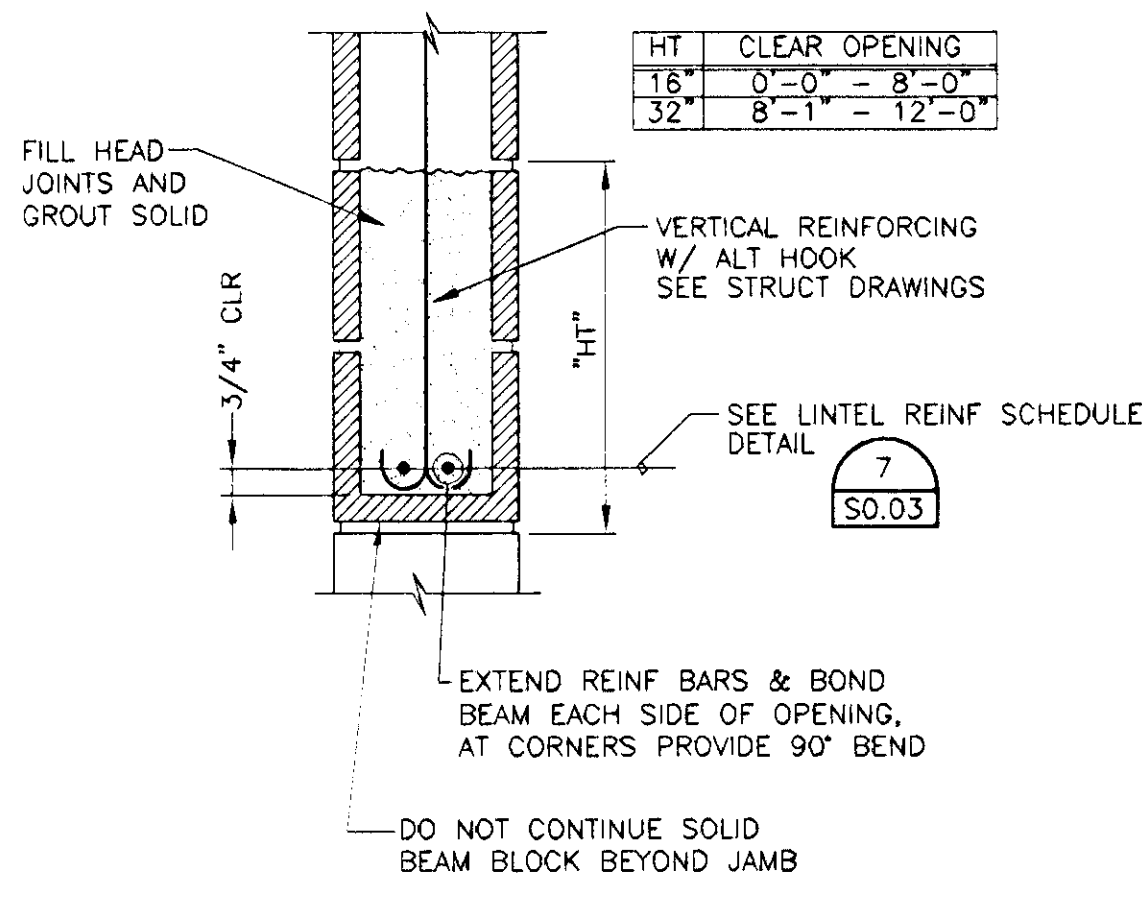
APPROVED
CITY OF LAS VEGAS PERMITS
MAR 18 2003

APPROVAL IS FOR CLOSURE AT THIS OR LATEST REVISIONS W/ 5/8" DIA. SEE ORIGINALS FOR BOLTS, TYPOR OTHER REQUIREMENTS.

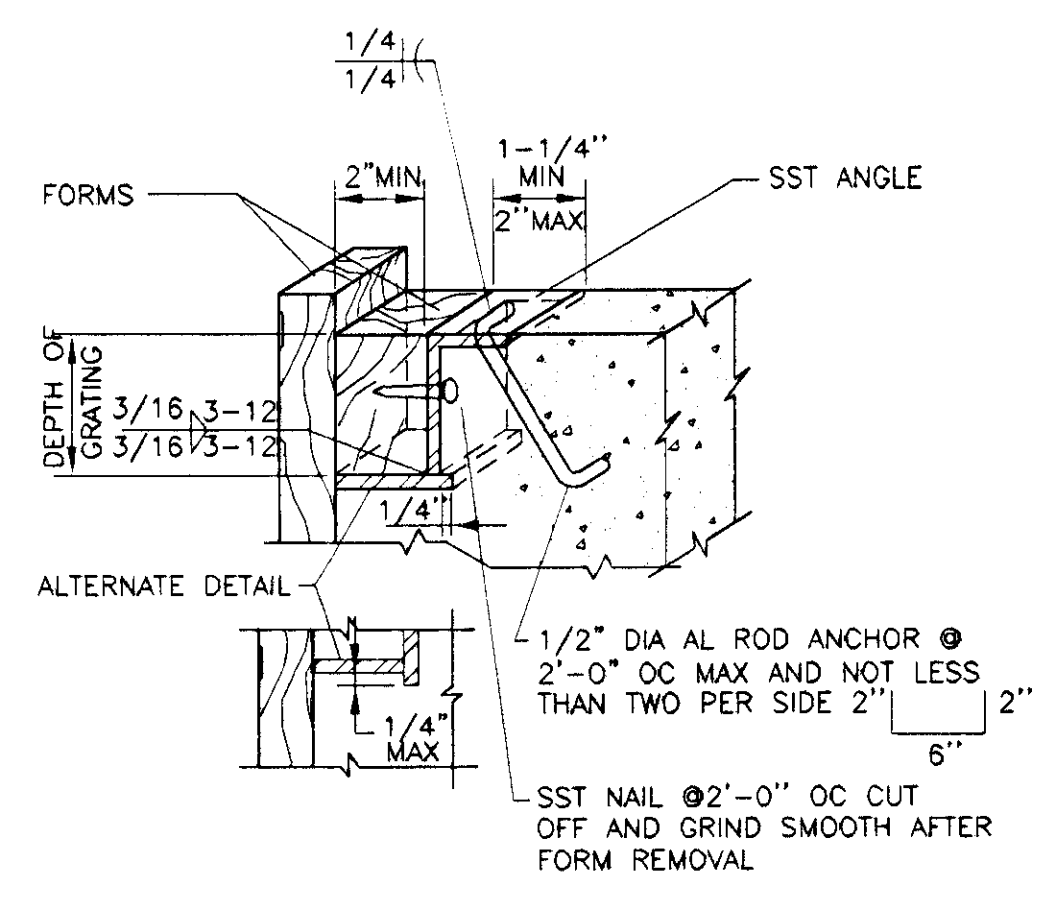
OWNER: CITY OF LAS VEGAS
DEPARTMENT OF PUBLIC WORKS
ARCHITECTURAL SERVICES

400 EAST STEWART AVENUE
LAS VEGAS, NEVADA 89101
PHONE: (702) 229-6333
FAX: (702) 382-3232
TDD: (702) 386-9108

DRAWN: SMK,MSZ
FILE: 0475001
DATE: 03.14.03
SCALE: NO-SCALE
SD NO: 02.15341.09
CD/DWG NO: 107.V3548
SHEET NO: S0.03
OF



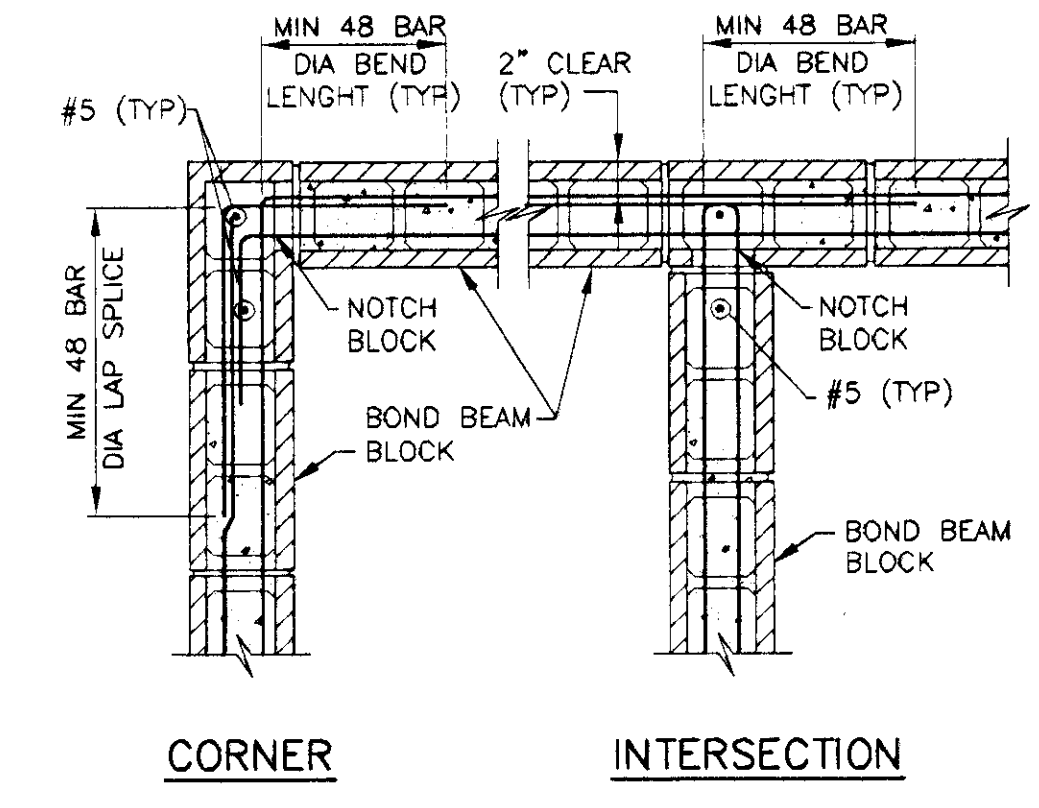
LINTEL BEAM OVER MASONRY OPENING 1
S0.03



NOTES:

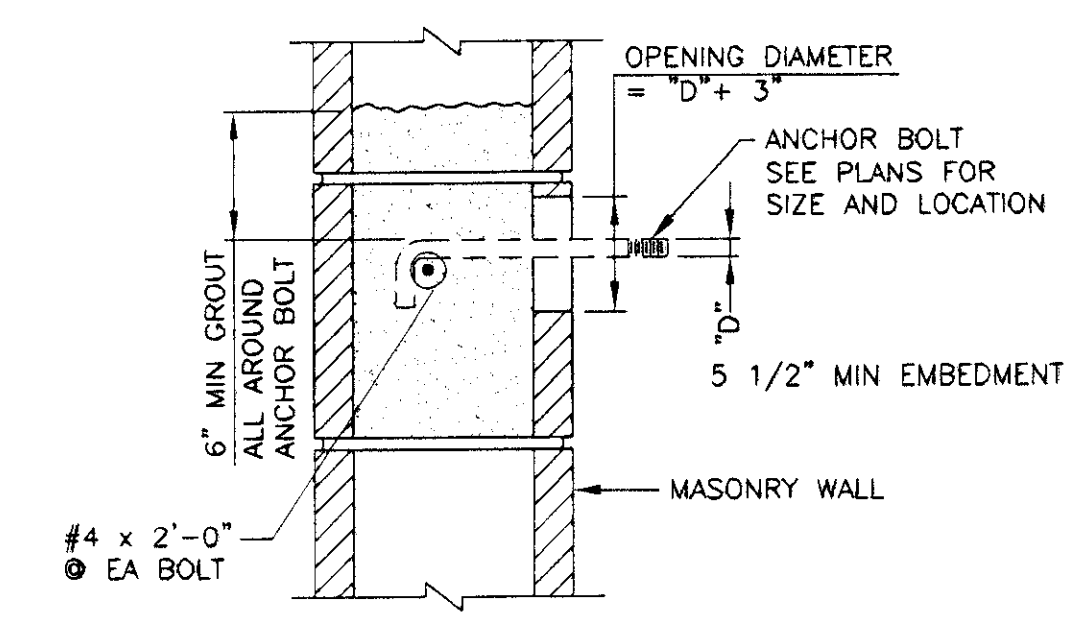
- FOR GRATING SEE SPECIFICATIONS
- REBATE ANGLE TO BE CONTINUOUS AROUND ENTIRE OPENING
- AL ANGLE AND BEARING PLATE SHALL BE 1/4" MIN THICK
- REBATE MAY BE EXTRUDED, SUBJECT TO ENGINEER'S APPROVAL

GRATING REBATE 2
(UNLESS OTHERWISE NOTED ON DWGS) S0.03



NOTE:
FOR MASONRY NOTES SEE DWG S002

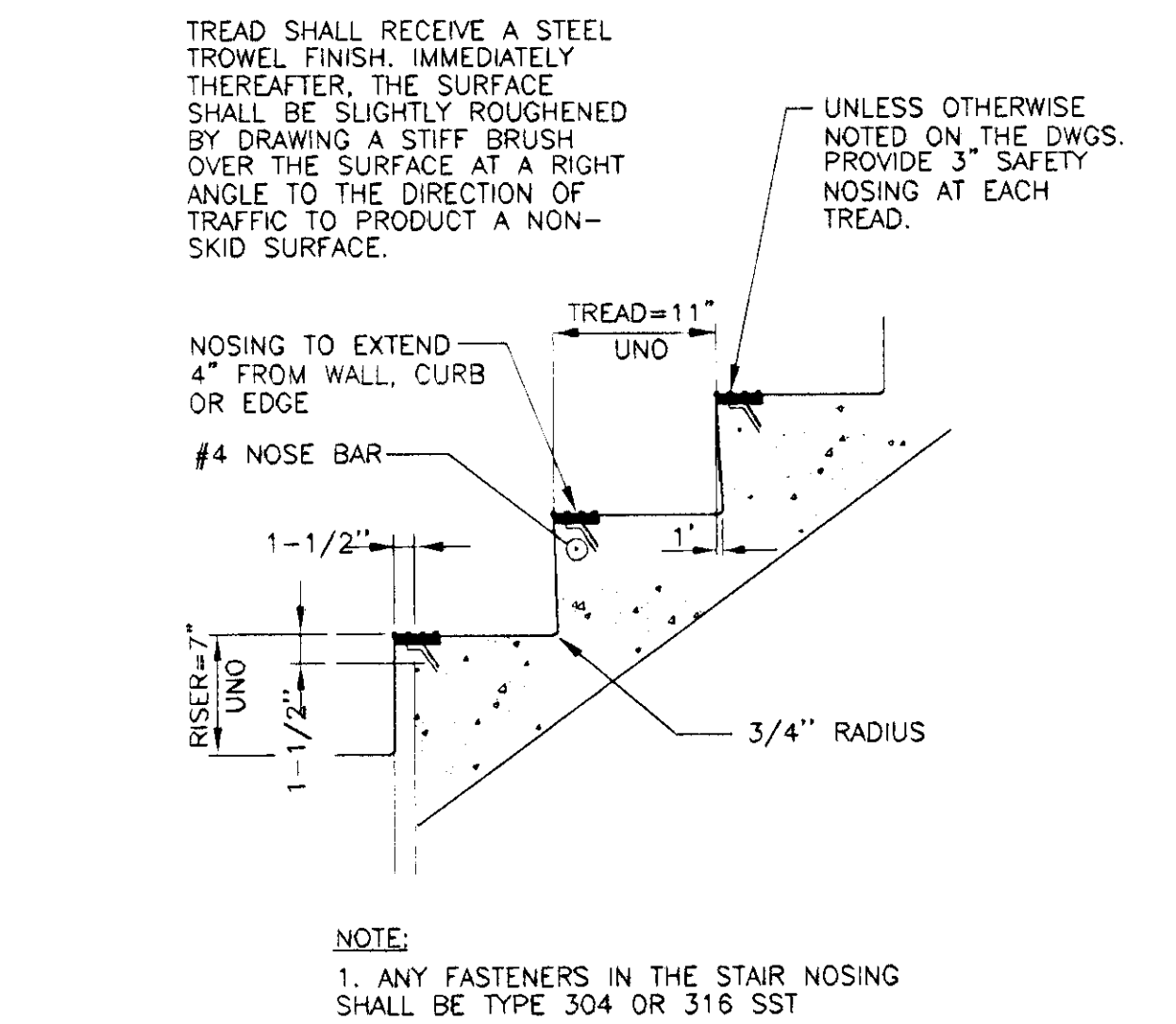
MASONRY WALL-REINFORCING AT BOND BEAM 3
S0.03



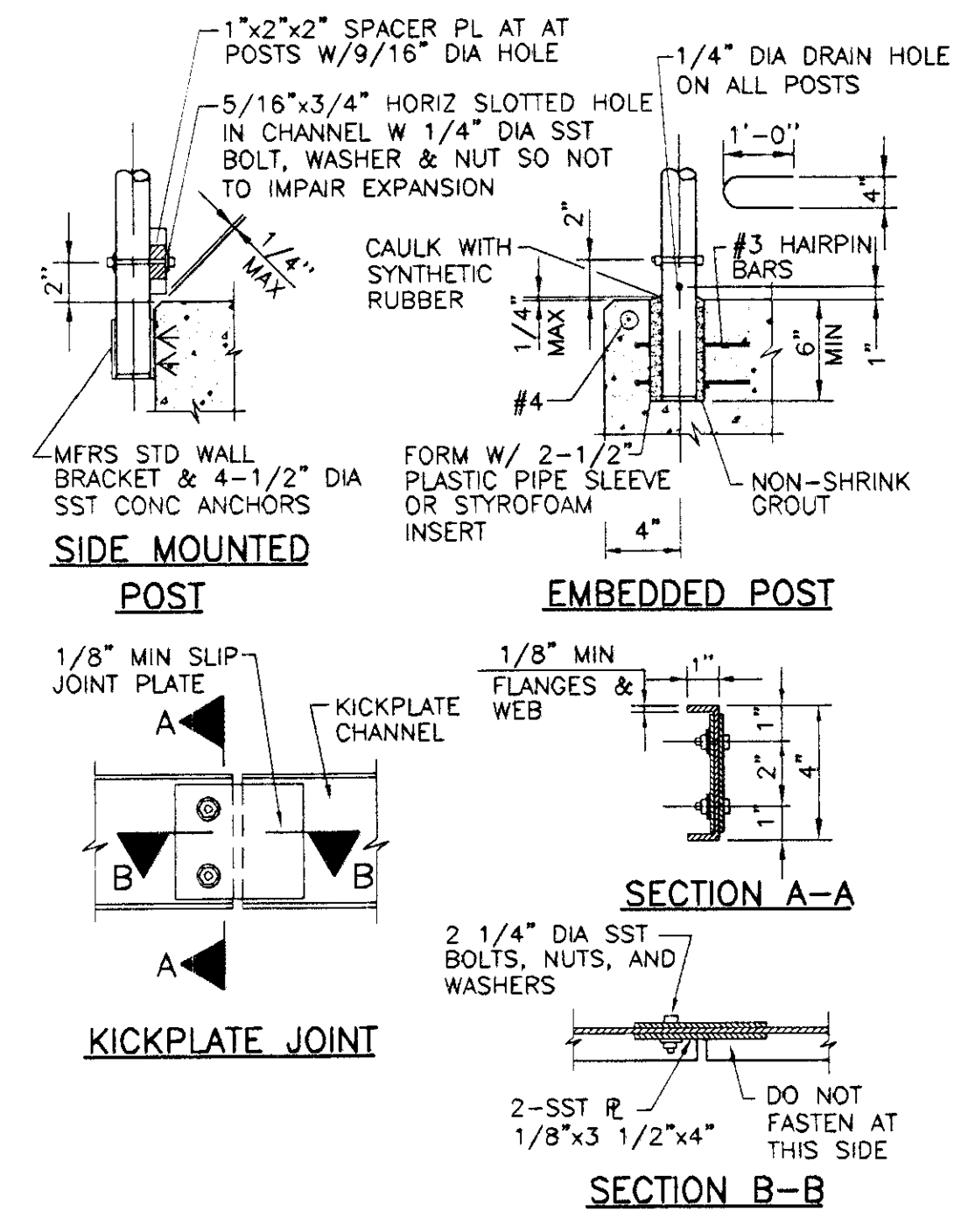
NOTES:

- SET ANCHOR BOLTS WITH TEMPLATE.
- CUT BLOCK WEB AS REQUIRED TO ALLOW PLACEMENT OF ANCHOR BOLT WITH 1/2" MINIMUM GROUT BETWEEN ANCHOR BOLT AND BLOCK.

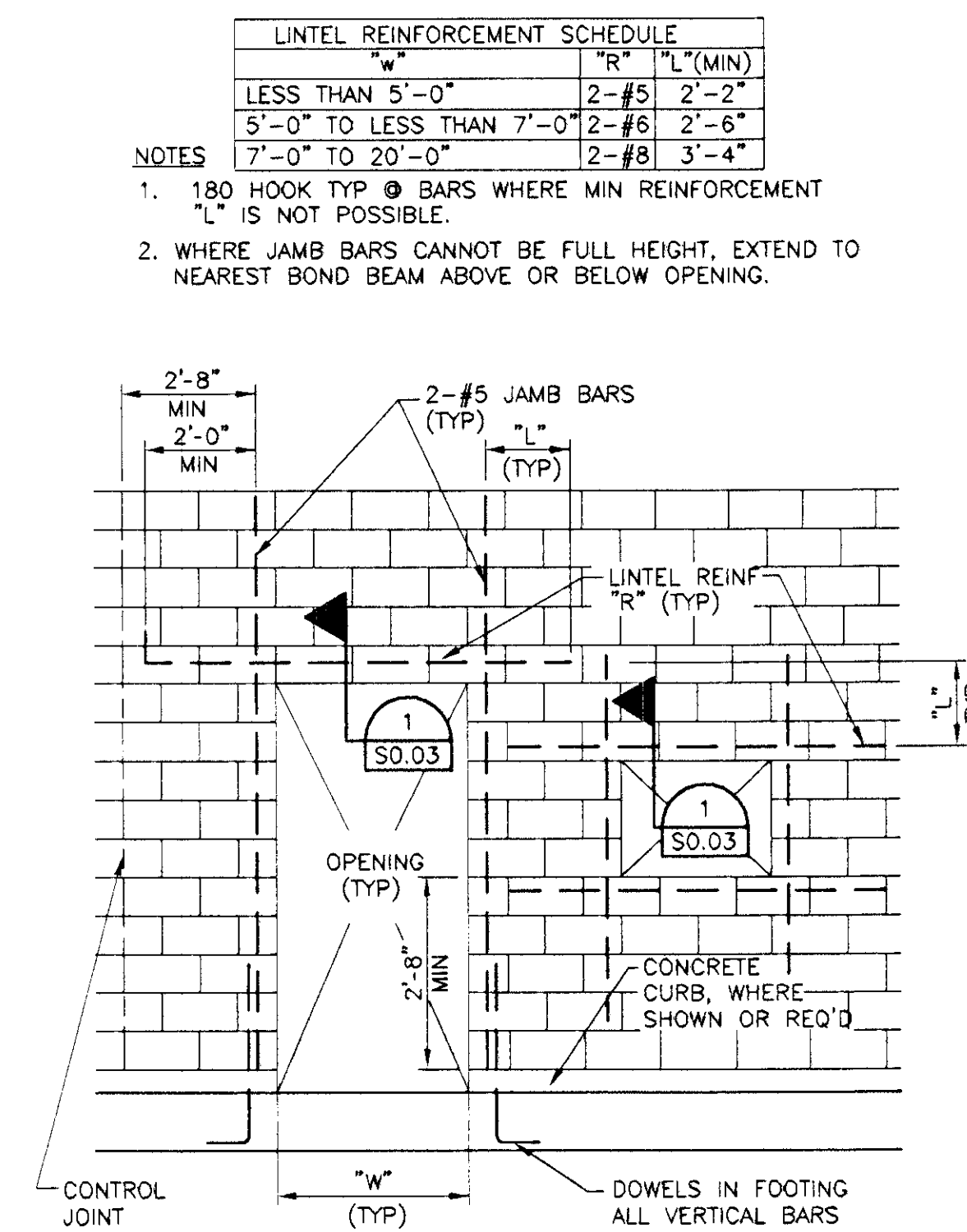
ANCHOR BOLTS IN MASONRY 4
S0.03



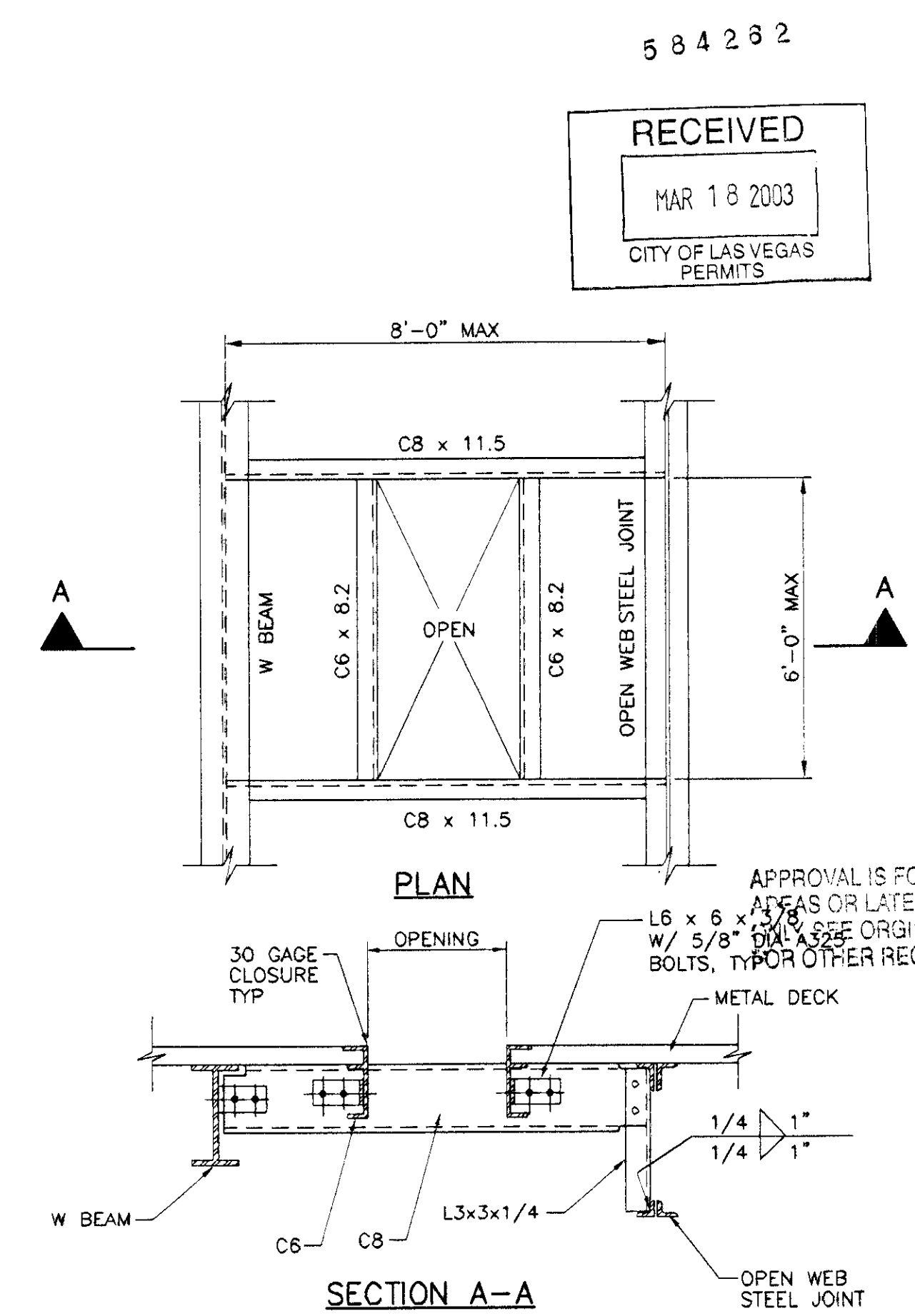
CONCRETE STAIR 5
S0.03



HANDRAIL KICKPLATE 6
S0.03



TYPICAL REINFORCING FOR MASONRY OPENINGS 7
S0.03



STEEL DECK ROOF OPENING 8
1" = 1'-0" S0.03