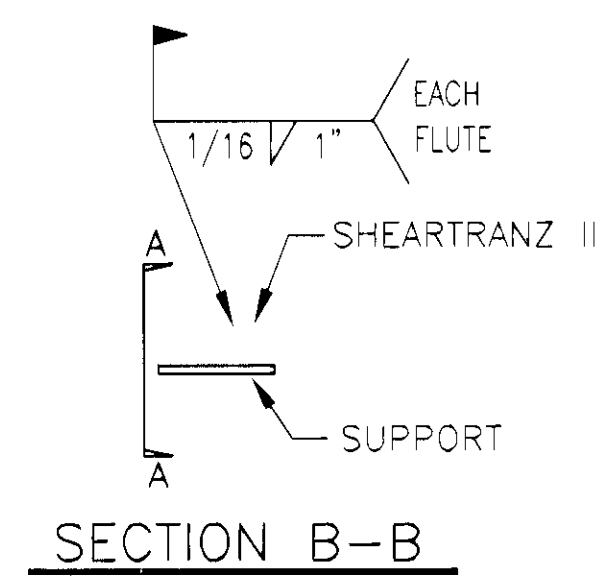
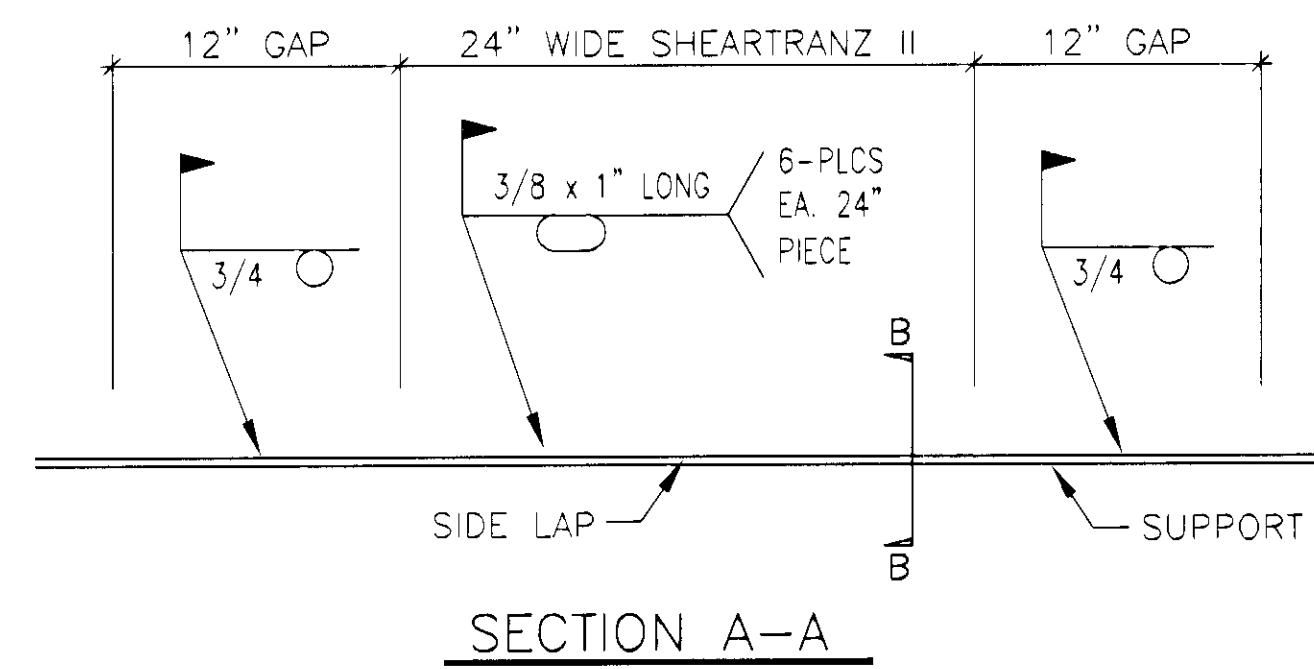


BY OTHERS



CTB
9/30/03

RECEIVED
SEP 25 2003
CITY OF LAS VEGAS
PERMITS
5 7 3 2 6 6

POGGEMEYER DESIGN GROUP
SUBMITTAL REVIEW

PDG Project Name No: 01099H

This submittal has been reviewed only for conformance with the project design concept and simulates pricing methods. It is intended for informational purposes only and is not to be used for construction unless specifically stated in the contract documents. All dimensions, quantities, and conditions are to be verified by the contractor.

- Reviewed, No Exception
- Reviewed, Comply with all conditions without Resubmit
- Reviewed, Comply with all conditions, Revise and Resubmit
- Reviewed, Rejected, New Submittal Required

Reviewed by: MSS
For Poggemeyer Design Group
Date: 9-24-03 Log Item # 05240-032.2

**FINAL PLANS
FOR FIELD USE**

BACKCHARGES WILL NOT BE HONORED
WITHOUT AUTHORIZATION BY
STEEL ENCOUNTERS, INC.

2	04-25-03	FP	PER RESUBMITAL / REL FOR FAB
1	03-17-03	FP	PER APPR'L / FINAL RESUBMITAL
0	02-14-03	FP	FOR APPROVAL
REV.	DATE	BY	DESCRIPTION

#	DATE	FOR	STEEL ENCOUNTERS		
7/1	02-14-03	APPR'L	525 EAST 300 SOUTH SALT LAKE CITY		
7/1	03-17-03	APPR'L	PHONE (801) 478-8100 UTAH 84102		
8	04-25-03	FINAL			
1	04-25-03	VULC	DRAWN BY FELIX P.	DATE 01-20-03	CHECKED BY GV DATE 03-17-03
DESCRIPTION			ROOF DECK NOTES & DETAILS		
JOB			WCS FIELD OPERATIONS		
LOCATION			LAS VEGAS, NEVADA		
ARCHITECT			TATE SNYDER KIMSEY		
CUSTOMER			TARGET GENERAL		
VULCRAFT FILE NUMBER		JOB NUMBER	DRAWING NUMBER	REV #	
S76-02-0973		5328	D2 OF 2	2	