

PLAN QUANTITIES

SURFACE IMPROVEMENTS(PUBLIC)

COMMERCIAL DWT	500'±
5' WIDE SIDEWALK	1EA
SIDEWALK DRAIN	2EA
RED RAMP	1EA
RELOCATE ST LIGHT	1EA

SURFACE IMPROVEMENTS(PRIVATE)

ASPHALT CONCRETE PAVING	4724SF
UNTREATED ROAD BASE COURSE	526CY
24" L TYPE CURB AND GUTTER	153LFL
6" CURB	153LFL
3" WIDE VALLEY GUTTER	301LF

WATER MAIN (PUBLIC)

1 1/2" COPPER WATER SERVICE	6LF
1 1/2" X 10" SERVICE SADDLE	1EA
8" DCGA	1EA
1 1/2" METER	1EA
1 1/2" RPPA	1EA

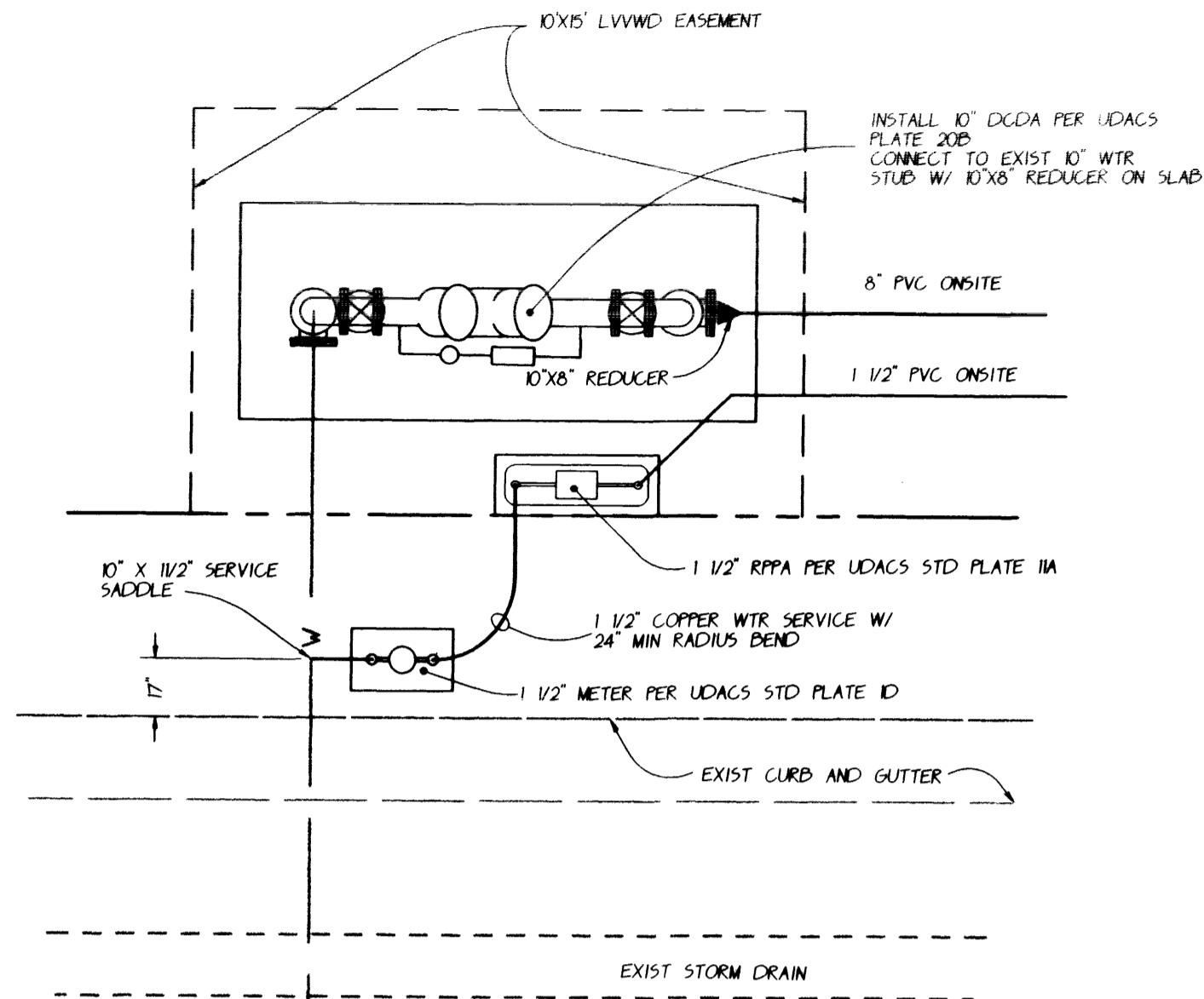
WATER MAIN (PRIVATE)

8" PVC WATER MAIN (FIRE)	535LF
6" PVC WATER MAIN (FIRE)	150LF
1 1/2" PVC WATER SERVICE	273LF
6" GATE VALVE	1EA
FIRE HYDRANT ASSY	2EA

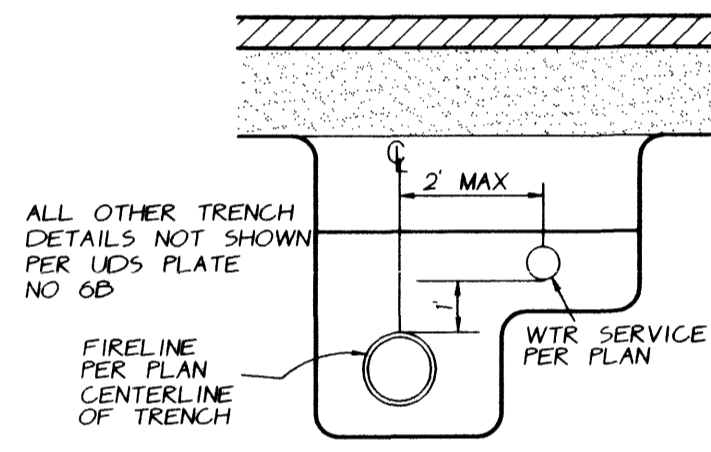
SEWER MAIN (PRIVATE)

6" SEWER CLEAN OUT	3EA
6" PVC SEWER MAIN	309LF
CONNECT TO EXIST SMH	1EA

CONTRACTOR IS RESPONSIBLE TO VERIFY THESE QUANTITIES FOR THEIR PURPOSES OF BIDDING. THE QUANTITIES SHOWN ARE AN ESTIMATE FOR BIDDING PURPOSES ONLY.



WATER DETAIL
NO SCALE



COMMON TRENCH DETAIL
NO SCALE

UTILITY LEGEND

SYMBOL	DESCRIPTION	ABBREV
○	SEWER MAIN	SWR
○	SEWER CLEANOUT	SWR CO
○	SEWER LATERAL PER PLAN	SWR LAT
○	EXIST SEWER LATERAL	
○	EXIST SEWER MAIN	
○	EXIST WATER MAIN	WTR
○	EXIST WATER METER	
○	EXIST WATER SERVICE LINE	
○	VALVE AS SPECIFIED	
○	EXIST VALVE	
○	REDUCER, AS SPECIFIED	
○	EXIST REDUCER	
○	WATER LATERAL PER PLAN	WTR LAT
○	EXIST WATER LATERAL	
○	FIRE HYDRANT ASSY	FH
○	EXIST FIRE HYDRANT	
○	WATER METER BOX PER PLAN	
○	EXIST WATER METER	
○	RPPA PER PLAN	
○	EXIST RPPA PER PLAN	
○	DCGA PER PLAN	
○	EXIST DCGA PER PLAN	
○	STORM DRAIN	SD
○	EXIST STORM DRAIN	
○	PULL BOX PER PLAN	
○	EXIST UTILITY BOX	
○	STREET LIGHT PER PLAN	ST LIGHT
○	EXIST STREET LIGHT	
○	TRAFFIC SIGN AS SPECIFIED	
○	CONDUIT PER PLAN	
○	EXIST CONDUIT PER PLAN	
○	STREET LIGHT CONDUIT	
○	EXIST STREET LIGHT CONDUIT	
○	CURB AND GUTTER L-TYPE	
○	SEE GRADING PLAN FOR DETAIL	
○	6" CURB	
○	SEE GRADING PLAN FOR DETAIL	

APPROVED
LAS VEGAS VALLEY WATER DISTRICT
DATE

ABBREVIATIONS

FG	FINISH GRADE
TBC	TOP BACK OF CURB
OD	GRADE BREAK
LP/HP	LOW/HIGH POINT
TW	TOP OF WALL
TF	TOP OF FOOTING
DBF	BOTTOM BLDG FOOTING
DWF	BOTTOM FLOOR WALL FOOTING
FB	FOUNDATION
FW	FINISH FLOOR
FL	FINISH FLOOR
NG	NATURAL GROUND
(FI)	EXIST TOP OF FOOTING
(FW)	EXIST TOP OF WALL
SWR	SEWER
WTR	WATER
SD	STORM
CO	CLEANOUT

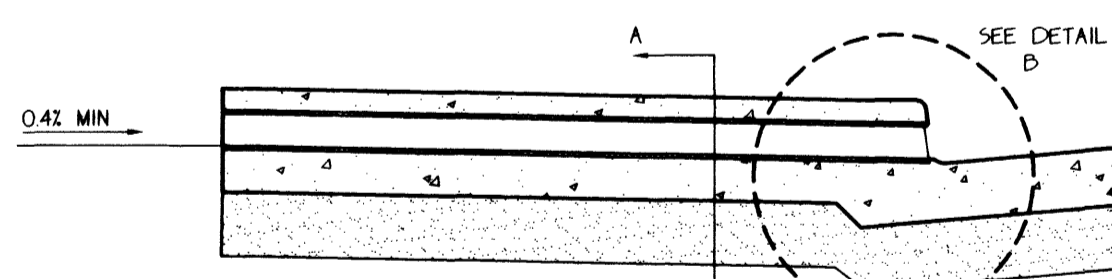
LEGEND

○	FINISH GROUND ELEV
○	EXIST FINISH GROUND
○	FLOW LINE ELEV
○	EXIST FLOW LINE
○	TOP BACK OF CURB
○	EXIST TOP BACK OF CURB
○	NATURAL GROUND
○	FINISH GROUND
○	CONTOUR 1 INTERVAL
○	FINISH GROUND
○	CONTOUR 5 INTERVAL
○	EXIST GROUND
○	CONTOUR 1 INTERVAL
○	EXIST GROUND
○	CONTOUR 5 INTERVAL
○	FINISH FLOOR ELEV
○	FF 102
○	RATE OF SLOPE
○	DIRECTION OF DRAINAGE
○	L-TYPE CURB + GUTTER
○	6" CURB
○	EXIST CURB
○	STORM DRAIN
○	EXIST STORM DRAIN
○	SAWCUT LINE
○	PROPOSED SLOPE
○	RETAINING WALL PER PLAN

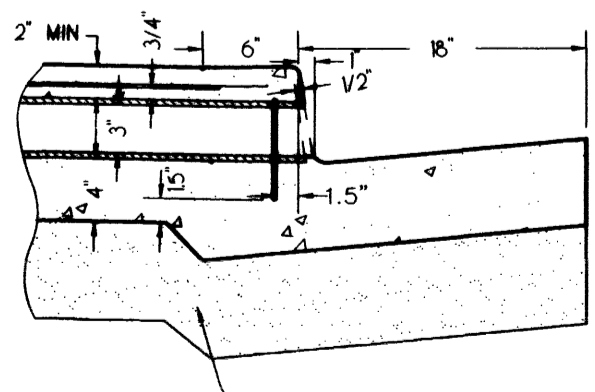
BACK OF CURB TABLES

CURB DATA LINE TABLE	CURB DATA CURVE TABLE				
LINE	LENGTH	BEARING	CURVE	LENGTH	RADIUS
PR L1	1241	S0072700W	# G1	2356	800
L2	8500	S843300E	# G2	3926	2500
L3	8500	S0072700W	G3	268	8000
L4	200	S843300E	PR C4	871	1200
L5	8500	S0072700W	G5	471	300
L6	3700	S843300E	PR C6	471	300
L7	8500	N002700E	PR C7	471	300
L8	800	S0072700W	PR C8	600	300
L9	7349	S843300E	PR C9	712	800
L10	1300	N002700E	C10	236	075
L11	700	N002700E	PR C11	620	800
L12	450	N002700E	PR C12	785	250
L13	900	S0072700W	PR C13	626	200
L14	8500	S843300E	PR C14	314	100
L15	1266	S843300E	PR C15	626	200
L16	1725	S843300E	PR C16	800	300
L17	2100	N002656E	C17	471	300
PR L18	175	S843300E	PR C18	600	300
L19	400	S843300E	PR C19	712	800
L20	400	N002700E	C20	600	300
PR L21	1400	S843300E	PR C21	712	800
PR L22	1400	S0072700W	PR C22	626	200
L23	850	S0072700W	PR C23	626	200
L24	1725	S843300E	PR C24	620	800
L25	8500	N002700E	C25	626	200
L26	8500	N002700E	C26	626	200
L27	8500	N002700E	PR C27	626	200
L28	8500	N002700E	PR C28	626	200
L29	8500	S843300E	PR C29	626	200
L30	8500	S843300E	PR C30	626	200
L31	1325	S843300E	PR C31	626	200
L32	500	S843300E	PR C32	626	200
PR L33	1325	S843300E	PR C33	314	100
L34	900	S0072700W	PR C34	626	200
L35	1241	S843300E	C35	461	750
L36	900	S0072700W	C36	712	800
L37	1241	S843300E	C37	506	200
L38	8500	S843300E	C38	655	300
PR L39	8500	S843300E	C39	556	300
L40	3100	S843300E	PR C40	237	100
PR L41	3100	S843300E	PR C41	237	100
L42	3100	S843300E			
L43	3100	S843300E			
L44	3100	S843300E			
L45	3100	S843300E			
L46	8500	S843300E			
PR L47	8500	S843300E			
PR L48	3100	S843300E			
L49	3100	S843300E			
L50	1400	S843300E			
PR L51	1400	S843300E			
L52	400	N002700E			
L53	8500	N002700E			
L54	8500	N002700E			
L55	8500	N002700E			
L56	8500	N002700E			
L57	1450	N002700E			
L58	5784	N002700E			
L59	1744	N344347W			
PR L60	PR B	N344347W			
L61	767	N465400E			
L62	702	S0072700W			
L63	1043	S843300E			
L64	6700	S0072700W			
L65	1031	S0072700W			
L66	8940	S843300E			
L67	821	S0072700W			

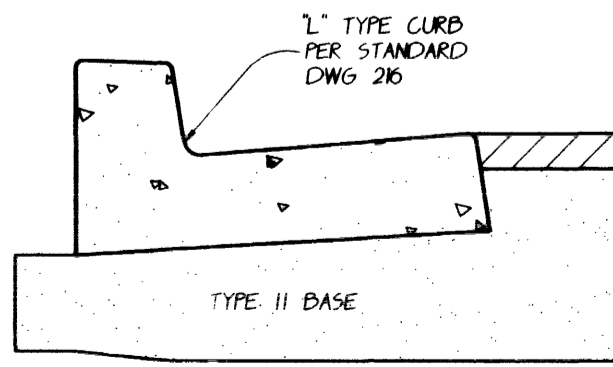
○ INDICATES L-TYPE CURB + GUTTER OTHERWISE 6" CURB
○ INDICATES FIRE LANE CURBS TO BE PAINTED RED PER CITY OF LAS VEGAS FIRE DEPARTMENT STANDARDS.



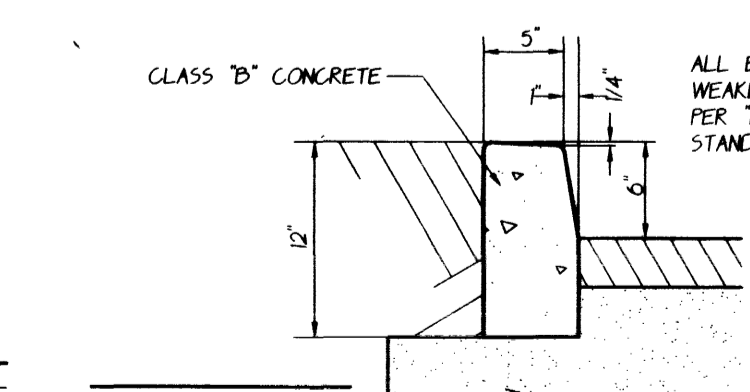
SECTION A-A



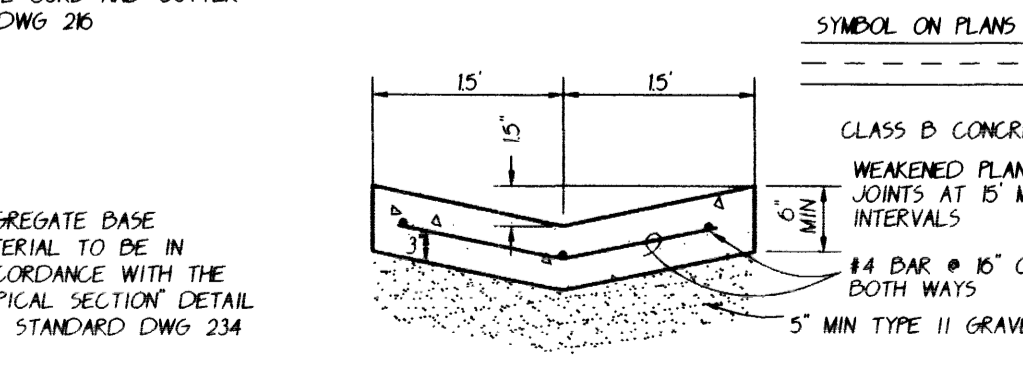
DETAIL B
SIDEWALK UNDERDRAIN
NO SCALE



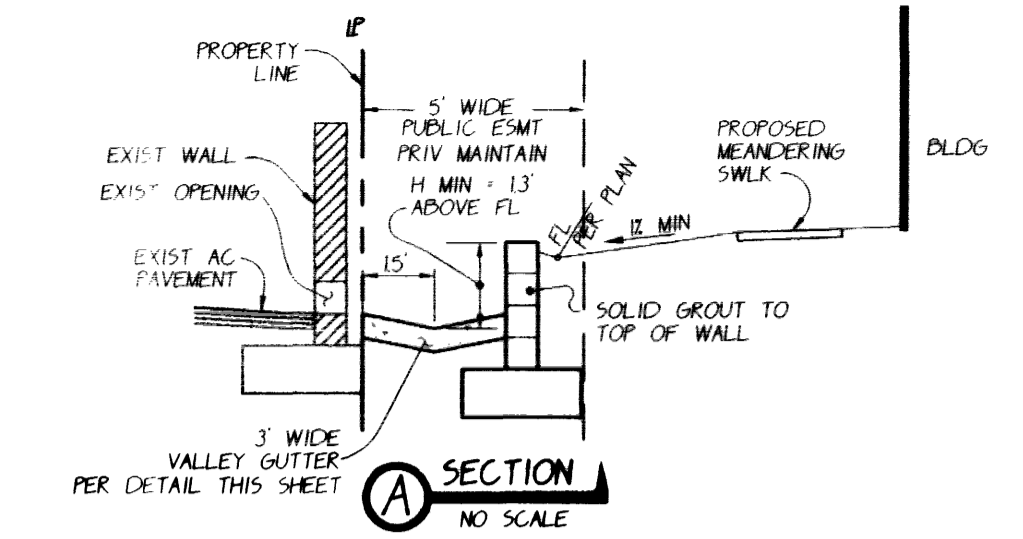
L-TYPE CURB
NO SCALE



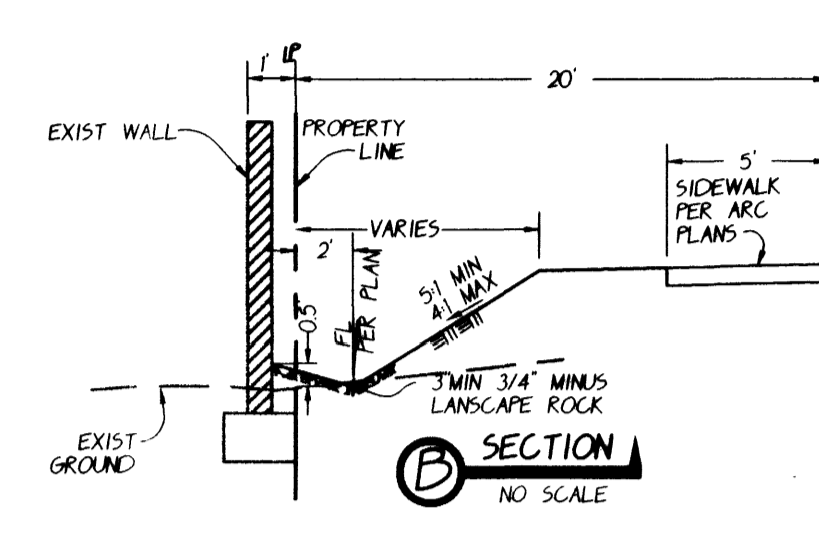
6" CURB DETAIL
NO SCALE



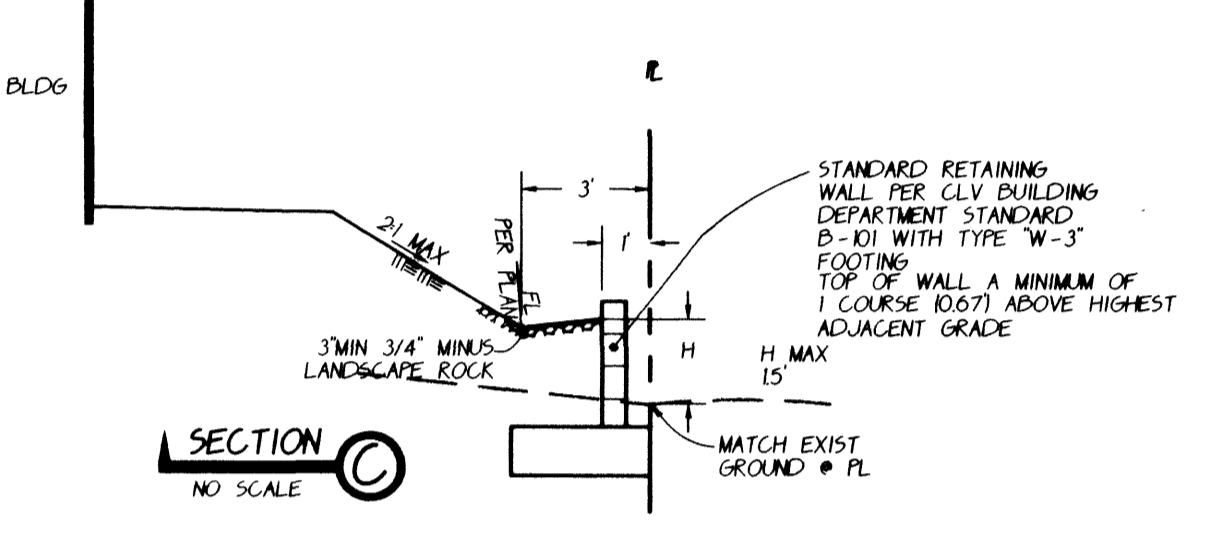
3' WIDE VALLEY GUTTER
NO SCALE



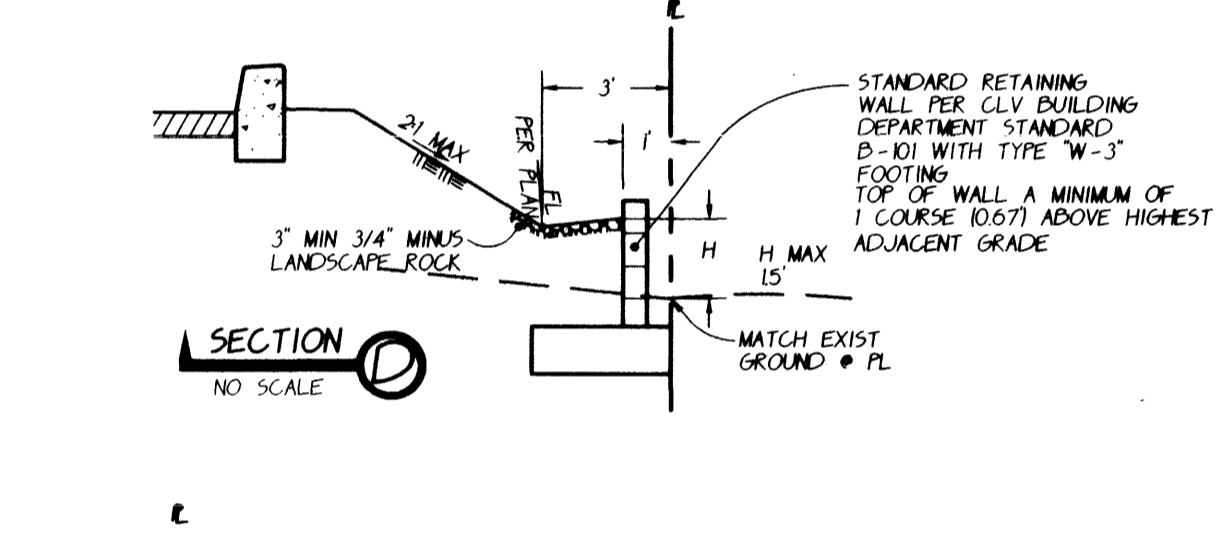
SECTION A
NO SCALE



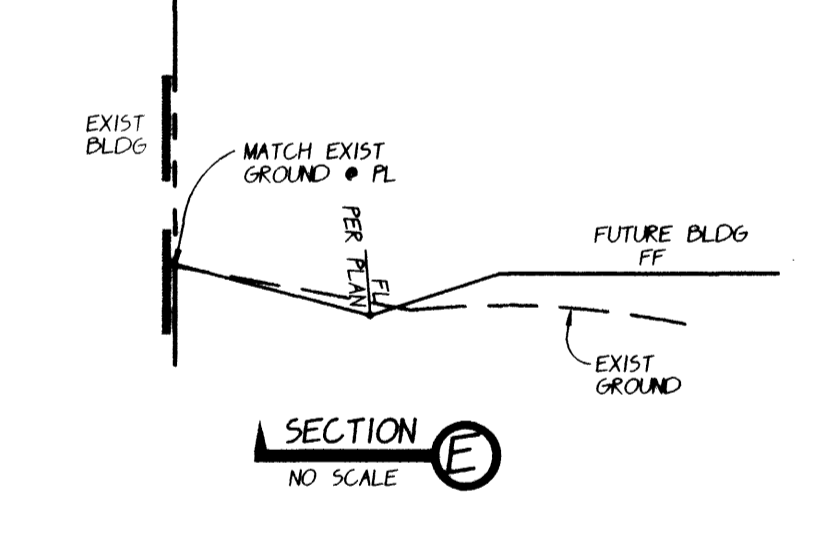
SECTION B
NO SCALE



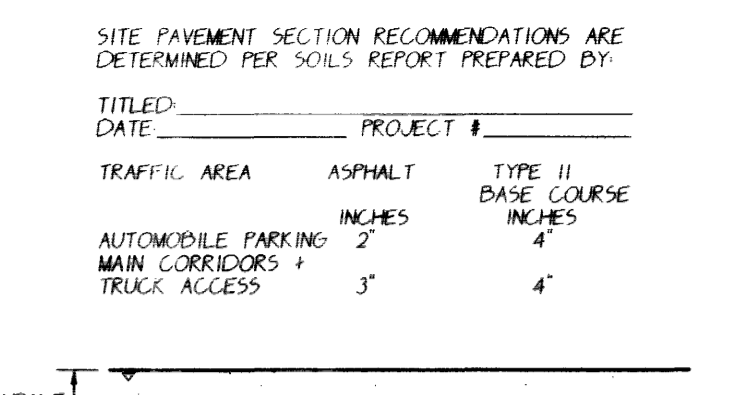
SECTION C
NO SCALE



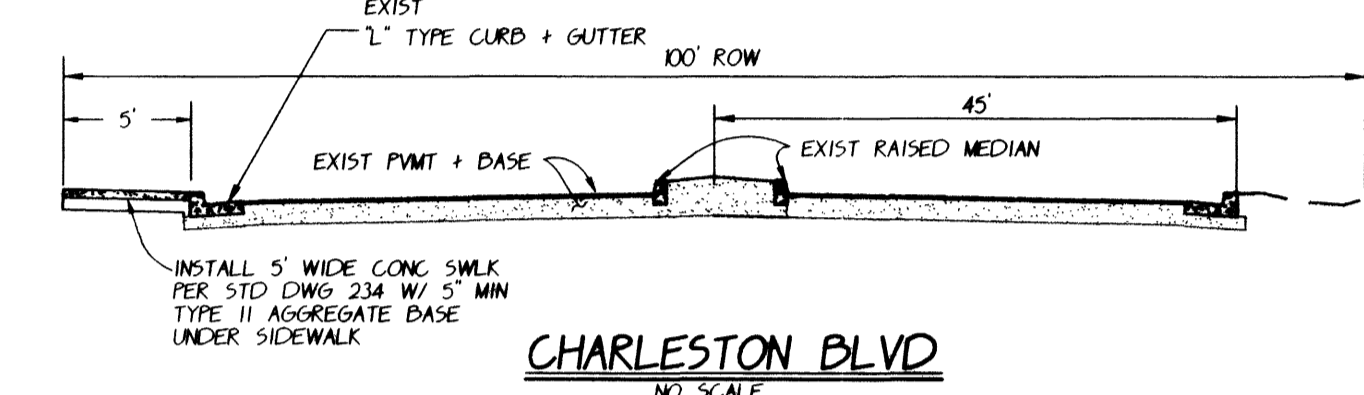
SECTION D
NO SCALE



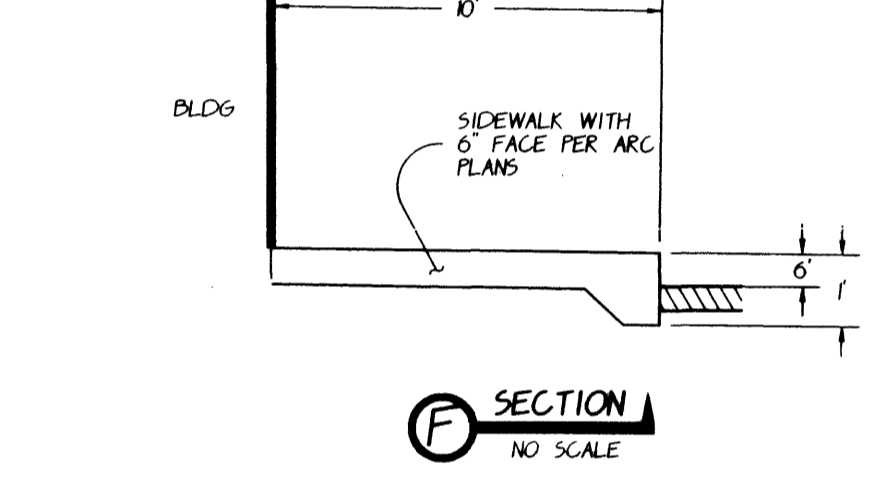
SECTION E
NO SCALE



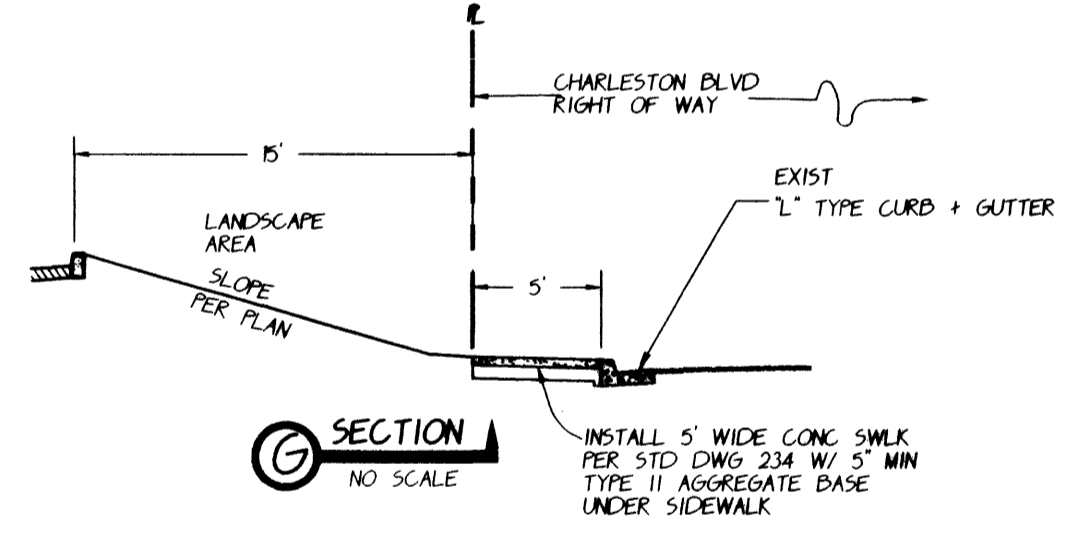
SITE PAVEMENT SECTION
NO SCALE



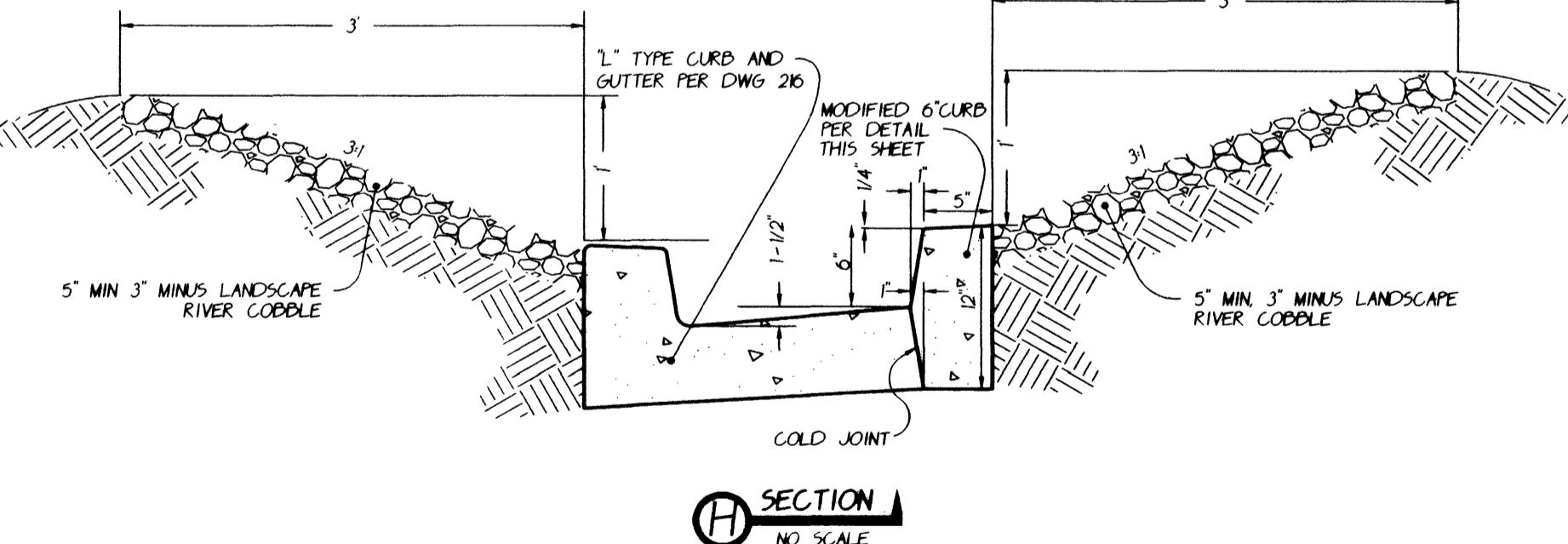
CHARLESTON BLVD
NO SCALE



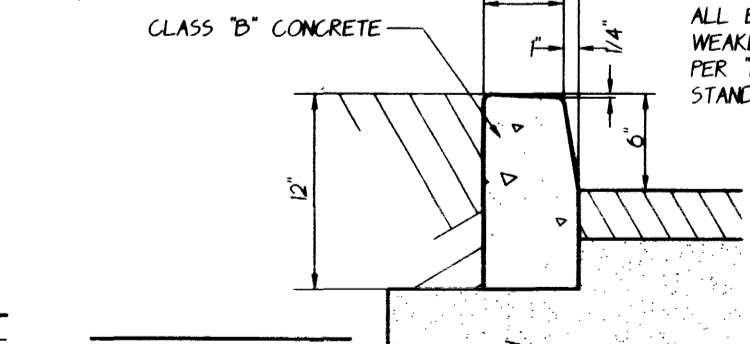
SECTION
NO SCALE



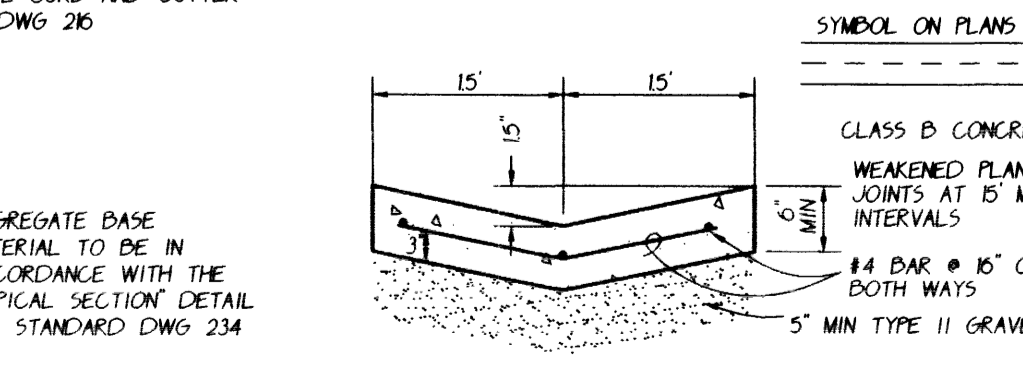
SECTION
NO SCALE



SECTION
NO SCALE



6" CURB DETAIL
NO SCALE



3' WIDE VALLEY GUTTER
NO SCALE

NOTICE!
EXISTING UTILITIES ARE SHOWN ON PLANS FOR THE CONVENIENCE OF THE CONTRACTOR ONLY. THE CONTRACTOR IS RESPONSIBLE FOR THE PROTECTION OF ALL UTILITIES. THE ENGINEER BEARS NO RESPONSIBILITY FOR UTILITIES NOT SHOWN OR SHOWN INCORRECTLY.
Call BEFORE YOU Dig
1-800-227-2800
UNDERGROUND SERVICE (USA)

NOTE:
CornerStone Engineering Incorporated ASSUMES NO RESPONSIBILITY FOR EXISTING UTILITY LOCATIONS SHOWN OR NOT SHOWN. THE UTILITIES SHOWN ON THIS DRAWING HAVE BEEN PLOTTED FROM RECORD INFORMATION AND ARE FOR THE CONVENIENCE OF THE CONTRACTOR ONLY. IT IS THE CONTRACTOR'S RESPONSIBILITY TO FIELD VERIFY THE LOCATION AND DEPTH OF ALL RELEVANT UTILITIES PRIOR TO COMMENCEMENT OF ANY CONSTRUCTION. IF A CONFLICT OR DISCREPANCY IS DISCOVERED, THE CONTRACTOR IS TO NOTIFY THE ENGINEER OR WORK, IN WRITING, IMMEDIATELY.

NOVAD CONSTRUCTION
1408 S JONES BLVD, SUITE 100
LAS VEGAS, NV 89119
(702) 877-8009

CornerStone Engineering Inc.
2885-C BERNALVILLE DR
LAS VEGAS, NV 89119
(702) 791-4711

QUANTITY + DETAILS

WEST CHARLESTON PLAZA
W CHARLESTON, EAST OF JONES

SHEET: 8 OF 8 SHEETS
DRAWING NO. 162-112200

FILENAME: 269-DET.DWG
XREF FILES: 269-HIST.DWG
CHECKED BY:
PROJECT NO: 269-100

DATE: MAY 17, 2000
DRAWN BY:
SCALE:

SEAL
REGISTERED PROFESSIONAL ENGINEER
BRUCE RIDGWAY
CIVIL
NO. 12309