

PLAN QUANTITIES

SURFACE IMPROVEMENTS(PUBLIC)

COMMERCIAL DWY	0029F
5' WIDE SIDEWALK	1000SF
SIDEWALK DRAIN	1061LF
RED RAMP	2EA
RELOCATE ST LIGHT	1EA

SURFACE IMPROVEMENTS(PRIVATE)

ASPHALT CONCRETE PAVING	4724SY
UNTREATED ROAD BASE COURSE	525CY
24" 1" TYPE CURB AND GUTTER	1061LF
6" CURB	1511LF
3' WIDE VALLEY GUTTER	301LF

WATER MAIN (PUBLIC)

1 1/2" COPPER WATER SERVICE	6LF
1 1/2" 10' SERVICE SADDLE	1EA
8" DCDA	1EA
1 1/2" METER	1EA
1 1/2" RPPA	1EA

WATER MAIN (PRIVATE)

8" PVC WATER MAIN (FIRE)	535LF
6" PVC WATER MAIN (FIRE)	1061LF
1 1/2" PVC WATER SERVICE	273LF
6" GATE VALVE	1EA
FIRE HYDRANT ASSY	2EA

SEWER MAIN (PRIVATE)

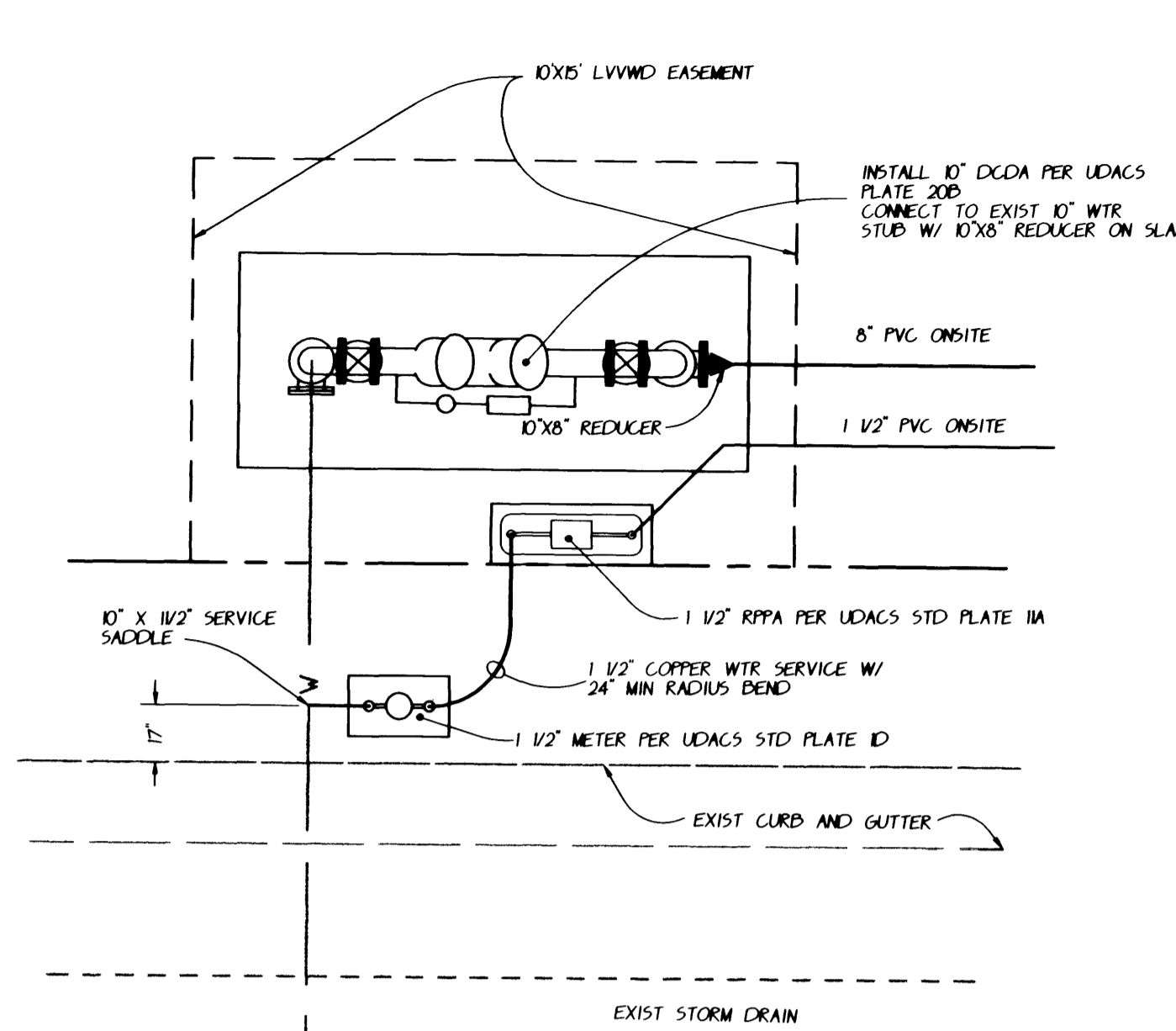
6" SEWER CLEAN OUT	3EA
6" PVC SEWER MAIN	301LF
CONNECT TO EXIST SMI	1EA

CONTRACTOR IS RESPONSIBLE TO VERIFY THESE QUANTITIES FOR THEIR PURPOSES OF BIDDING. THE QUANTITIES SHOWN ARE AN ESTIMATE FOR BIDDING PURPOSES ONLY.

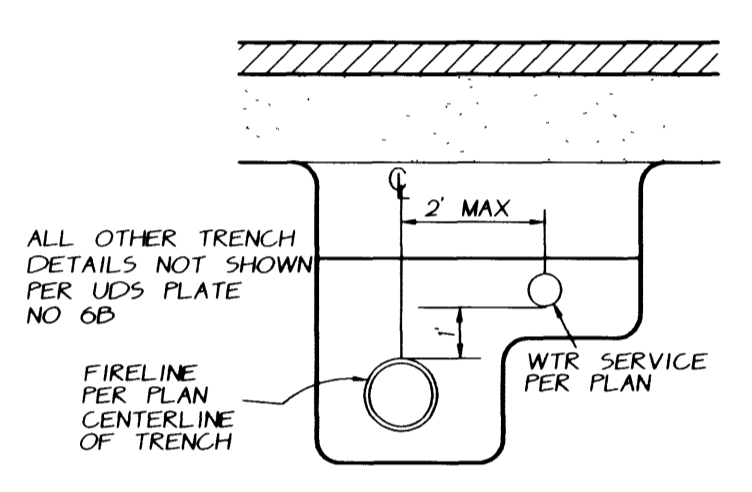
CURB DATA LINE TABLE				CURB DATA CURVE TABLE			
LINE	LENGTH	BEARING	CURVE	LENGTH	RADIUS	START	END
L1	13.25	S87.1300E	C1	23.61	50.00		
L2	13.25	S87.1300E	C2	39.26	25.00		
L3	14.00	S87.1300E	PR C3	5.71	10.00		
PR L4	14.00	S87.1300E	PR C4	4.71	3.00		
L5	8.00	S002.7000W	PR C5	4.71	15.00		
L6	8.00	S002.7000W	PR C6	4.71	3.00		
L7	37.00	S87.1300E	PR C7	2.36	0.75		
PR L8	12.41	S002.7000W	PR C8	6.00	3.00		
L9	63.50	S87.1300E	PR C9	17.12	5.00		
L10	100	N002.7000E	PR C10	4.71	3.00		
L11	6.00	S87.1300E	C11	8.64	2.75		
L12	8.49	N002.9500E	PR C12	6.64	2.18		
L13	30.01	N002.9500E	PR C13	4.66	1.48		
L14	33.00	S002.7000W	PR C14	2.37	1.00		
L15	8.50	S87.1300E	PR C15	6.30	6.00		
L16	8.50	S87.1300E	PR C16	6.54	3.00		
L17	4.50	N002.7000E	C17	6.55	3.00		
L18	55.00	S002.7000W	PR C18	9.63	10.00		
L19	8.00	S87.1300E	C19	7.12	5.00		
L20	8.00	N87.1300W	C20	5.06	2.00		
L21	17.25	S87.1300E	C21	4.61	7.50		
L22	17.25	S87.1300E	PR C22	17.12	5.00		
L23	13.00	N002.7000E	C23	10.00	3.50		
L24	7.00	N002.7000E	C24	6.28	2.00		
L25	12.66	S87.1300E	PR C25	6.26	2.00		
PR L26	2.00	S87.1300E	PR C26	4.71	1.50		
L27	1.75	S87.1300E	C27	6.26	2.00		
L28	14.75	N002.9500E	C28	6.26	2.00		
L29	5.69	S002.7000W	PR C29	6.26	2.00		
PR L30	14.30	S002.7000W	PR C30	6.26	2.00		
L31	14.75	N002.9500E	C31	6.00	3.00		
PR L32	0.50	N87.1300W	PR C32	17.12	5.00		
L33	17.50	N002.9500E	C33	6.26	2.00		
L34	12.40	S87.1300E	PR C34	6.26	2.00		
L35	4.00	N002.7000E	PR C35	6.26	2.00		
L36	4.00	N002.7000E	PR C36	6.26	2.00		
PR L37	8.00	S87.1300E	PR C37	6.26	2.00		
L38	16.01	N002.9500E	PR C38	6.26	2.00		
L39	16.02	N002.9500E	PR C39	6.00	3.00		
L40	17.50	N002.9500E	PR C40	6.26	2.00		
L41	8.50	S002.7000W	PR C41	2.37	1.00		
L42	8.50	S002.7000W	PR C42	6.20	6.00		
L43	49.00	S87.1300E					
L44	59.00	S87.1300E					
L45	14.24	S002.7000W					
PR L46	288	S002.7000W					
L47	19.8	N84.4349W					
L48	17.44	N84.4349W					
L49	7.67	N84.5400E					
L50	10.39	S002.7000W					
L51	7.62	S002.7000W					
L52	12.11	S87.1300E					
L53	29.00	S87.1300E					
PR L54	29.00	S87.1300E					
L55	3.00	S87.1300E					
L56	3.00	S87.1300E					
L57	3.00	S87.1300E					
L58	3.00	S87.1300E					
PR L59	3.00	S87.1300E					
L60	3.00	S87.1300E					
L61	9.00	S002.7000W					
L62	8.00	S87.1300E					
PR L63	8.00	S87.1300E					
L64	8.00	S87.1300E					
L65	8.00	S87.1300E					
PR L66	9.00	S002.7000W					
L67	12.11	S87.1300E					
L68	8.50	N002.9500E					
L69	8.50	N002.9500E					
L70	8.50	N002.9500E					
L71	8.50	N002.9500E					
L72	57.00	N002.7000E					
L73	10.43	S87.1300E					
L74	8.00	S87.1300E					
L75	8.00	S87.1300E					
L76	67.00	S002.7000W					
L77	14.00	S87.1300E					
L78	25.50	N86.4625E					
L79	8.00	S87.1300E					
L80	0.44	N002.7000E					
L81	25.50	N86.4625E					
L82	22.67	N002.9500E					

RED RAMP DATA
 CURVE ST DWG CASE 'A' 'D'
 C1 235 1 8' 8'
 C2 235 1 0' 12'

INDICATES 1" TYPE CURB + GUTTER OTHERWISE 6" CURB
 INDICATES FIRE LINE CURBS TO BE PAINTED RED PER CITY OF LAS VEGAS FIRE DEPARTMENT STANDARDS.



WATER DETAIL
NO SCALE



COMMON TRENCH DETAIL
NO SCALE

UTILITY LEGEND

SYMBOL	DESCRIPTION	ABBRVY
○	SEWER MAIN	SWR
○	SEWER CLEANOUT	SWR CO
○	SEWER LATERAL PER PLAN	SWR LAT
○	EXIST SEWER LATERAL	
○	EXIST SEWER MAIN	
○	WATER MAIN	WTR
○	EXIST WATER MAIN	
○	WATER SERVICE LINE	
○	VALVE AS SPECIFIED	
○	EXIST VALVE	
○	REDUCER AS SPECIFIED	
○	EXIST REDUCER	
○	WATER LATERAL PER PLAN	WTR LAT
○	EXIST WATER LATERAL	
○	FIRE HYDRANT ASSY	FH
○	EXIST FIRE HYDRANT	
○	WATER METER DOXY PER PLAN	
○	EXIST WATER METER	
○	RPPA PER PLAN	
○	EXIST RPPA PER PLAN	
○	DCDA PER PLAN	
○	EXIST DCDA PER PLAN	
○	STORM DRAIN	SD
○	EXIST STORM DRAIN	
○	PULL BOX PER PLAN	
○	EXIST UTILITY BOX	
○	STREET LIGHT PER PLAN	ST LIGHT
○	EXIST STREET LIGHT	
○	TRAFFIC SIGN AS SPECIFIED	
○	CONDUIT PER PLAN	
○	EXIST CONDUIT PER PLAN	
○	STREET LIGHT CONDUIT	
○	EXIST STREET LIGHT CONDUIT	
○	CURB AND GUTTER 1" TYPE	
○	SEE GRADING PLAN FOR DETAIL	
○	6" CURB	
○	SEE GRADING PLAN FOR DETAIL	

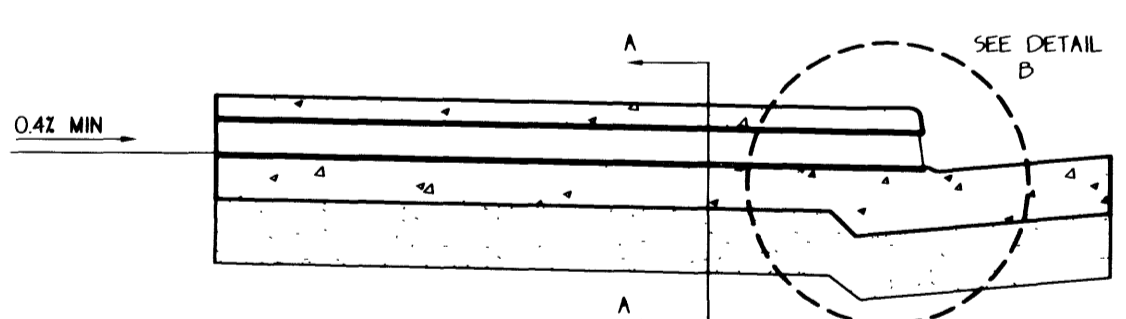
APPROVED
 LAS VEGAS VALLEY WATER DISTRICT
 DATE

ABBREVIATIONS

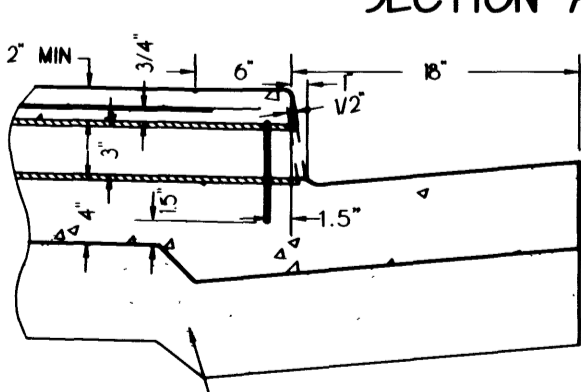
FG	FINISH GRADE
TDC	TOP BACK OF CURB
GD	GRADE BREAK
LHP/P	LOW/HIGH POINT
TW	TOP OF WALL
TF	TOP OF FOOTING
DBF	BOTTOM FLOOD WALL FOOTING
BWF	BOTTOM FLOOD WALL FOOTING
FG #	BUILDING
FG #	WALL
FF	FINISH FLOOR
FL	FLOW LINE
NG	NATURAL GROUND
TFI	EXIST TOP OF FOOTING
TFW	EXIST TOP OF WALL
SWR	SEWER
WTR	WATER
SD	STORM
CO	CLEANOUT

LEGEND

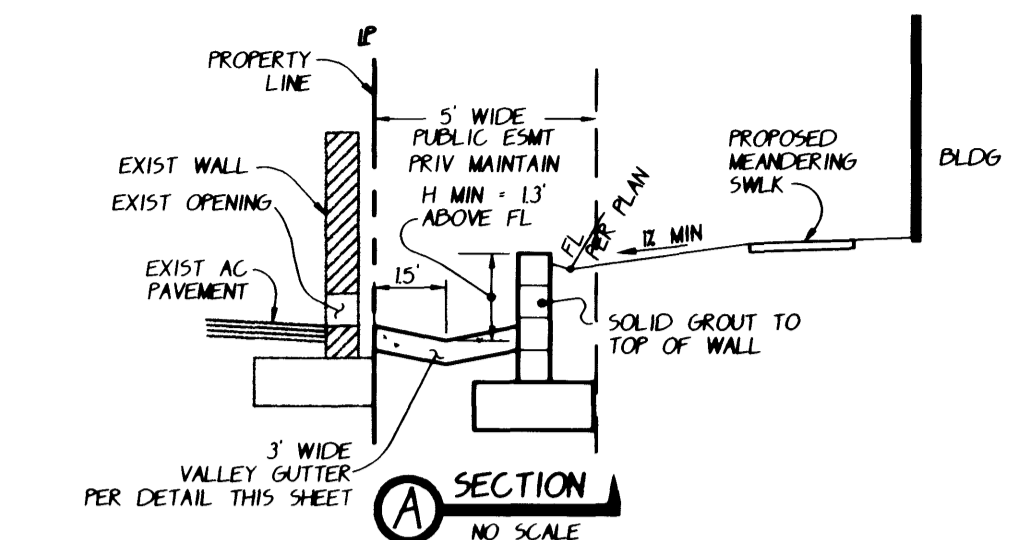
○	FINISH GROUND ELEV
○	EXIST FINISH GROUND
○	FLOW LINE ELEV
○	EXIST FLOW LINE
○	TOP BACK OF CURB
○	EXIST TOP BACK OF CURB
○	NATURAL GROUND
○	FINISH GROUND
○	CONTOUR 1' INTERVAL
○	EXIST GROUND
○	CONTOUR 1' INTERVAL
○	EXIST GROUND
○	CONTOUR 5' INTERVAL
○	EXIST GROUND
○	CONTOUR 5' INTERVAL
○	FINISH FLOOR ELEV
○	FF 10.2
○	DIRECTION OF DRAINAGE
○	1" TYPE CURB + GUTTER
○	6" CURB
○	EXIST CURB
○	STORM DRAIN
○	EXIST STORM DRAIN
○	SAWCUT LINE
○	PROPOSED SLOPE
○	RETAINING WALL PER PLAN



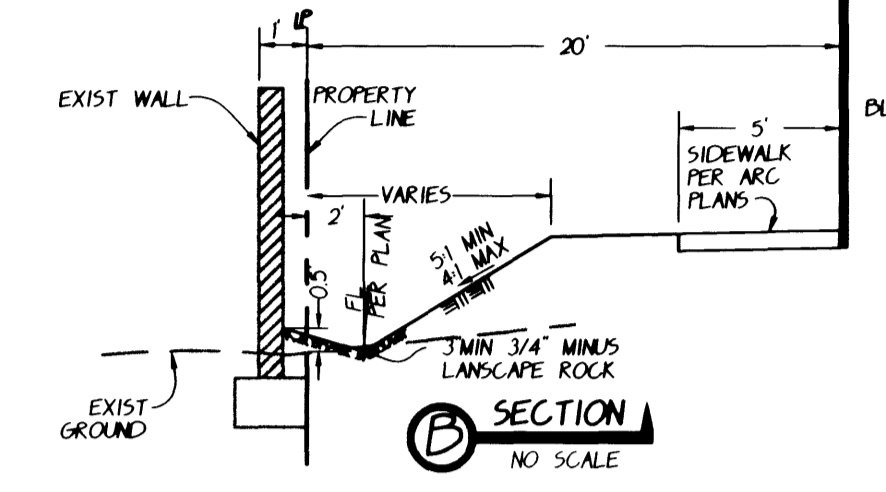
SECTION A-A
NO SCALE



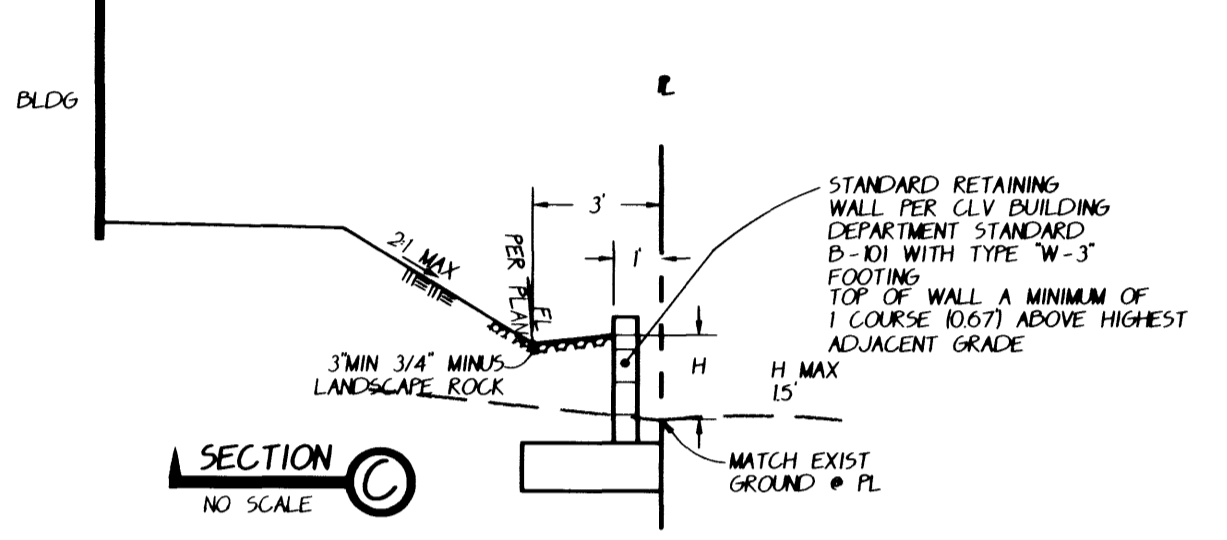
DETAIL B
SIDEWALK UNDERDRAIN
NO SCALE



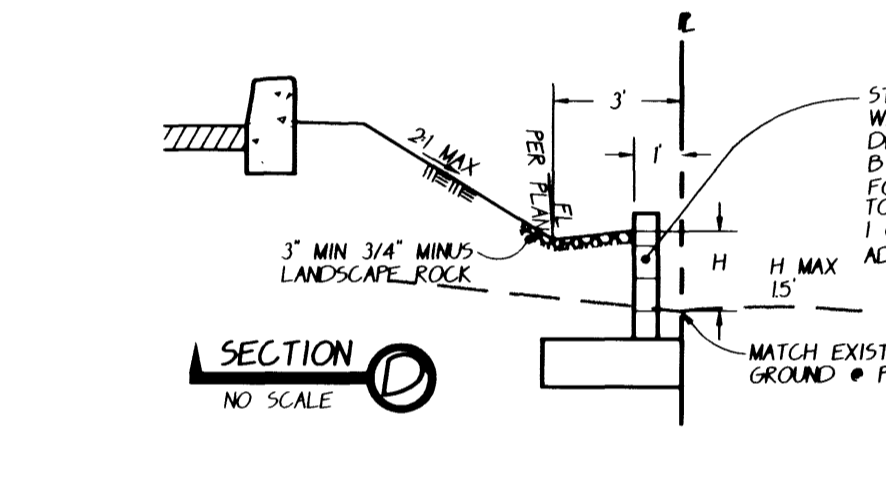
A SECTION
NO SCALE



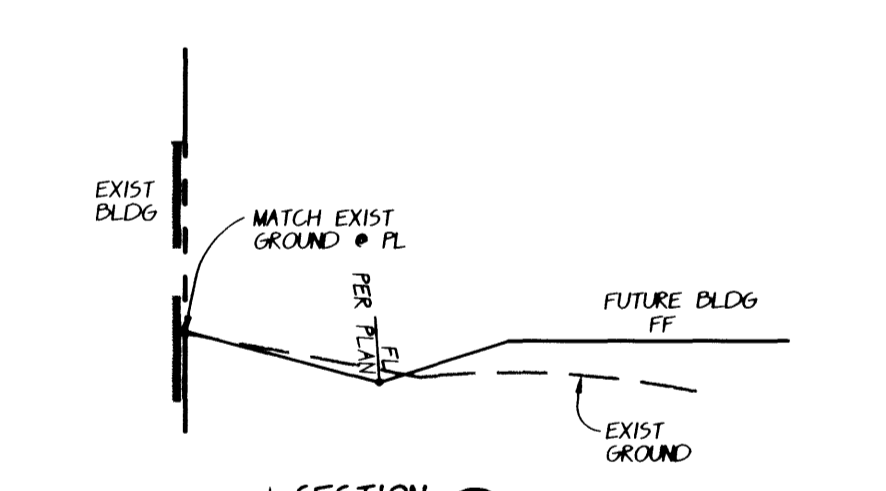
B SECTION
NO SCALE



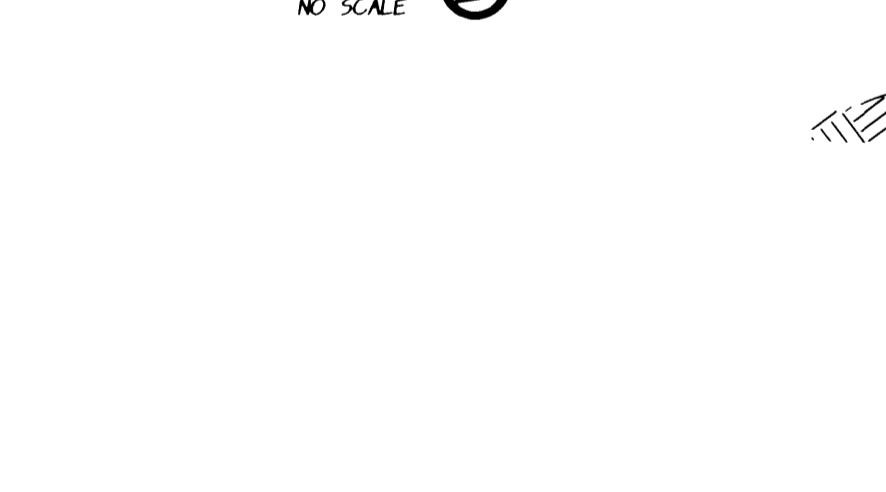
C SECTION
NO SCALE



D SECTION
NO SCALE



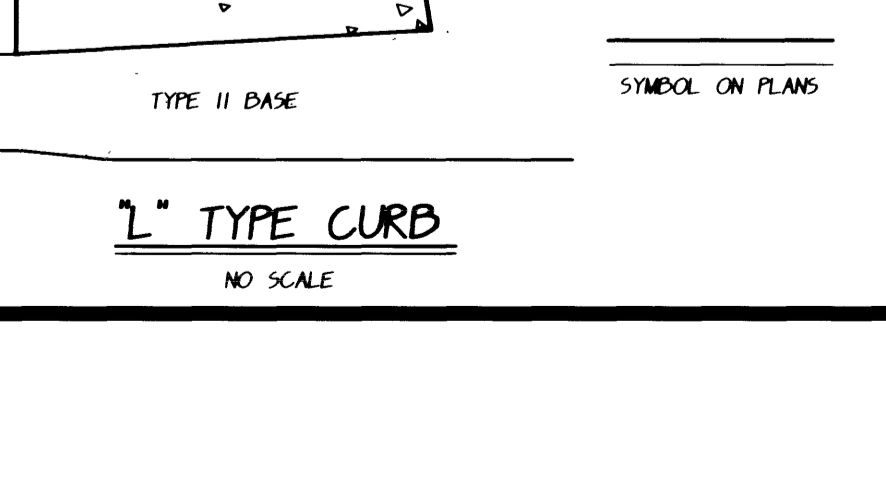
E SECTION
NO SCALE



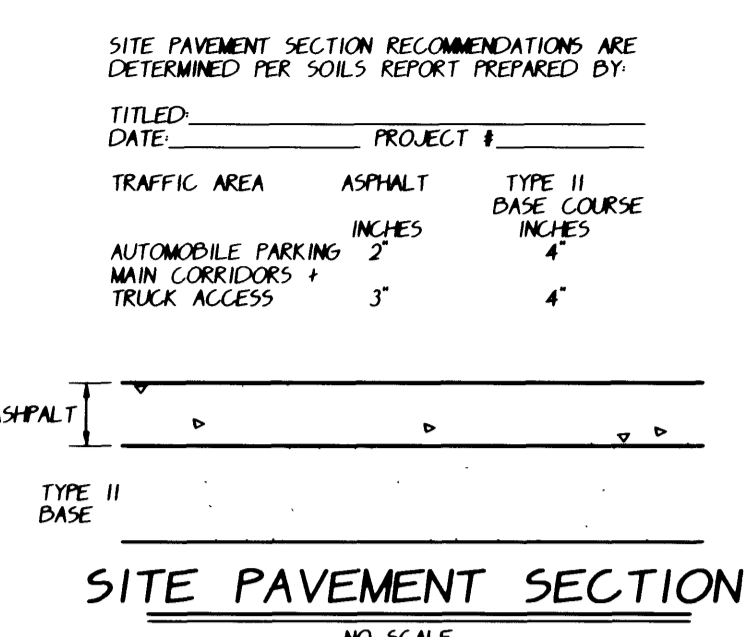
F SECTION
NO SCALE



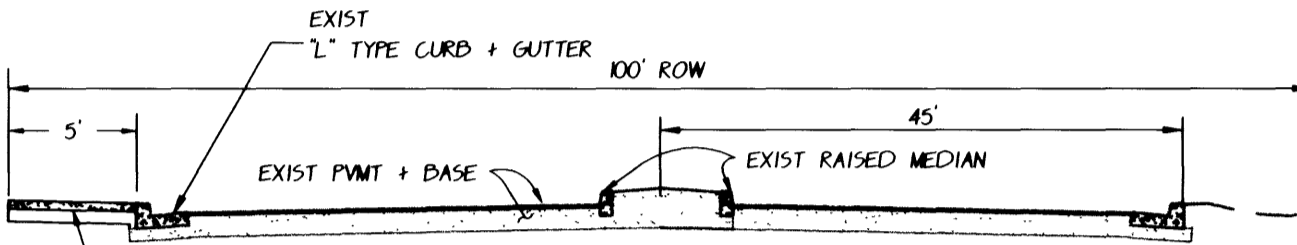
G SECTION
NO SCALE



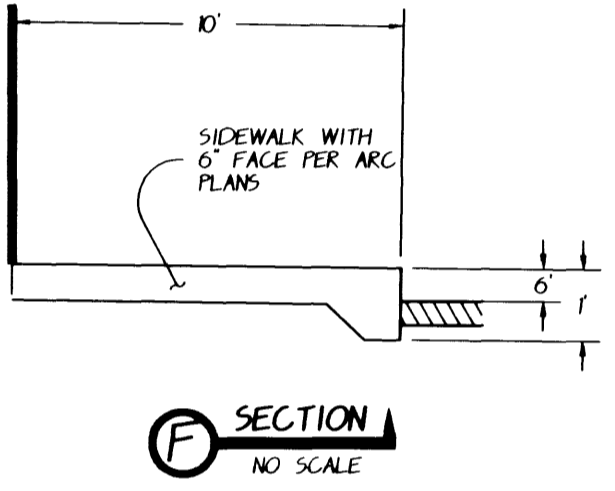
H SECTION
NO SCALE



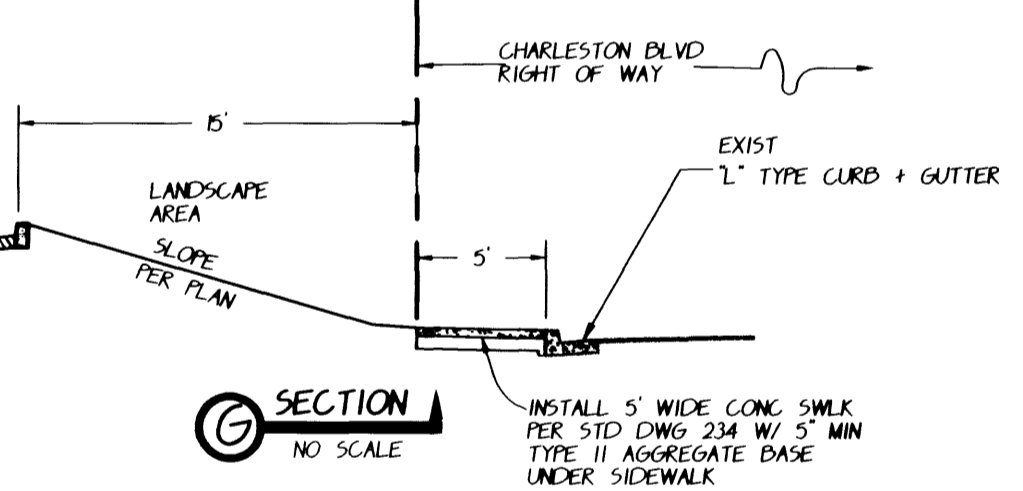
SITE PAVEMENT SECTION
NO SCALE



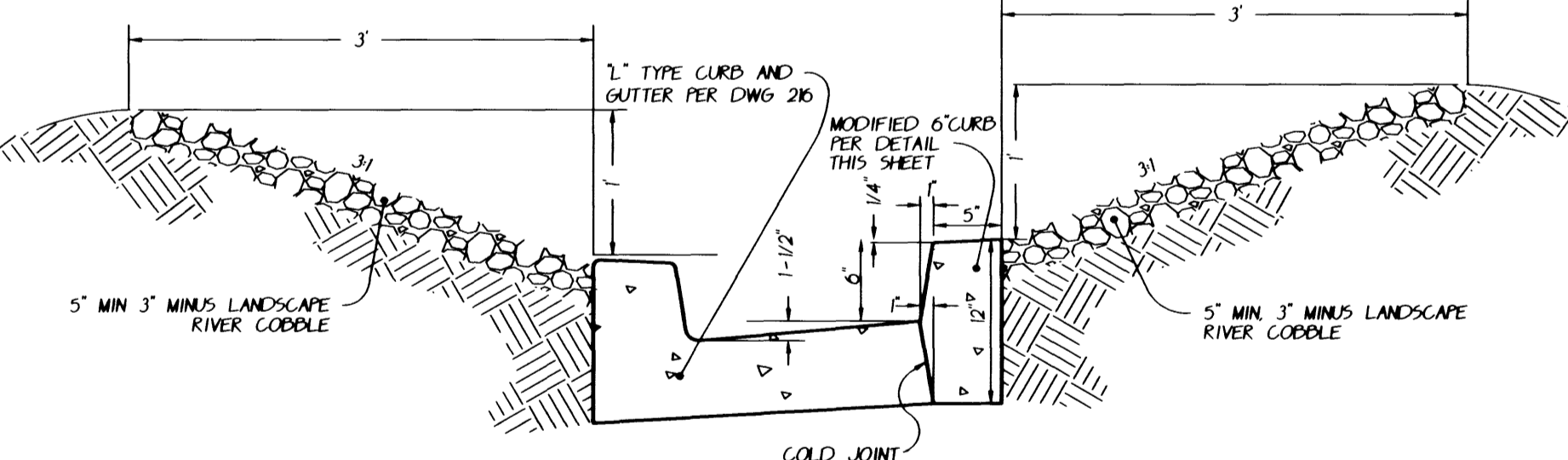
CHARLESTON BLVD
NO SCALE



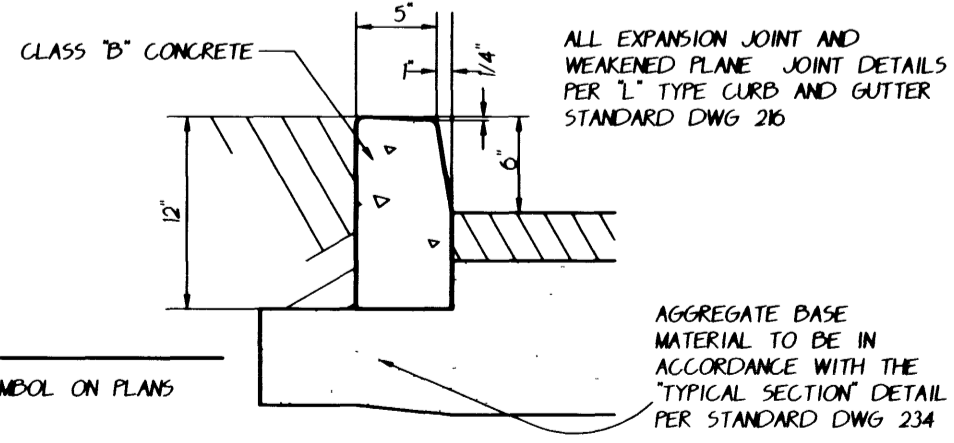
I SECTION
NO SCALE



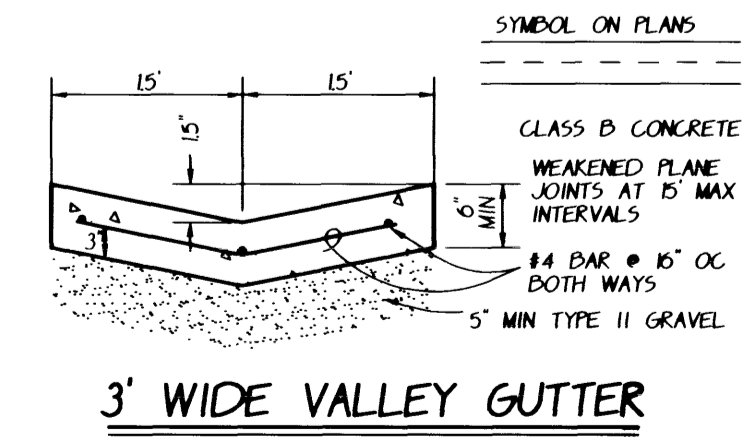
J SECTION
NO SCALE



6" CURB DETAIL
NO SCALE



3" WIDE VALLEY GUTTER
NO SCALE



3" WIDE VALLEY GUTTER
NO SCALE

NOTICE!
 EXISTING UTILITIES ARE SHOWN ON PLANS FOR THE CONVENIENCE OF THE CONTRACTOR ONLY. THE CONTRACTOR IS RESPONSIBLE FOR THE PROTECTION OF ALL UTILITIES. THE ENGINEER BEARS NO RESPONSIBILITY FOR UTILITIES NOT SHOWN OR SHOWN INCORRECTLY.
 1-800-227-2600
 UNDERGROUND SERVICE (USA)

NOTE:
 CornerStone Engineering Incorporated ASSUMES NO RESPONSIBILITY FOR EXISTING UTILITY LOCATIONS SHOWN OR NOT SHOWN. THE UTILITIES SHOWN ON THIS DRAWING ARE FOR THE CONVENIENCE OF THE CONTRACTOR ONLY. IT IS THE CONTRACTOR'S RESPONSIBILITY TO FIELD VERIFY THE LOCATION AND DEPTH OF ALL RELEVANT UTILITIES PRIOR TO COMMENCEMENT OF ANY CONSTRUCTION. IF A CONFLICT OR DISCREPANCY IS DISCOVERED THE CONTRACTOR IS TO NOTIFY THE ENGINEER OR WORK, IN WRITING, IMMEDIATELY.

NOVAD CONSTRUCTION
 1408 S JONES BLVD
 LAS VEGAS, NV 89108
 (702) 877-0000 FAX (702) 269-7749

CornerStone Engineering Inc.
 2286-C RENAISSANCE DR
 LAS VEGAS, NV 89119
 (702) 751-4711 FAX (702) 751-4768

QUANTITY + DETAILS
WEST CHARLESTON PLAZA
W CHARLESTON, EAST OF JONES