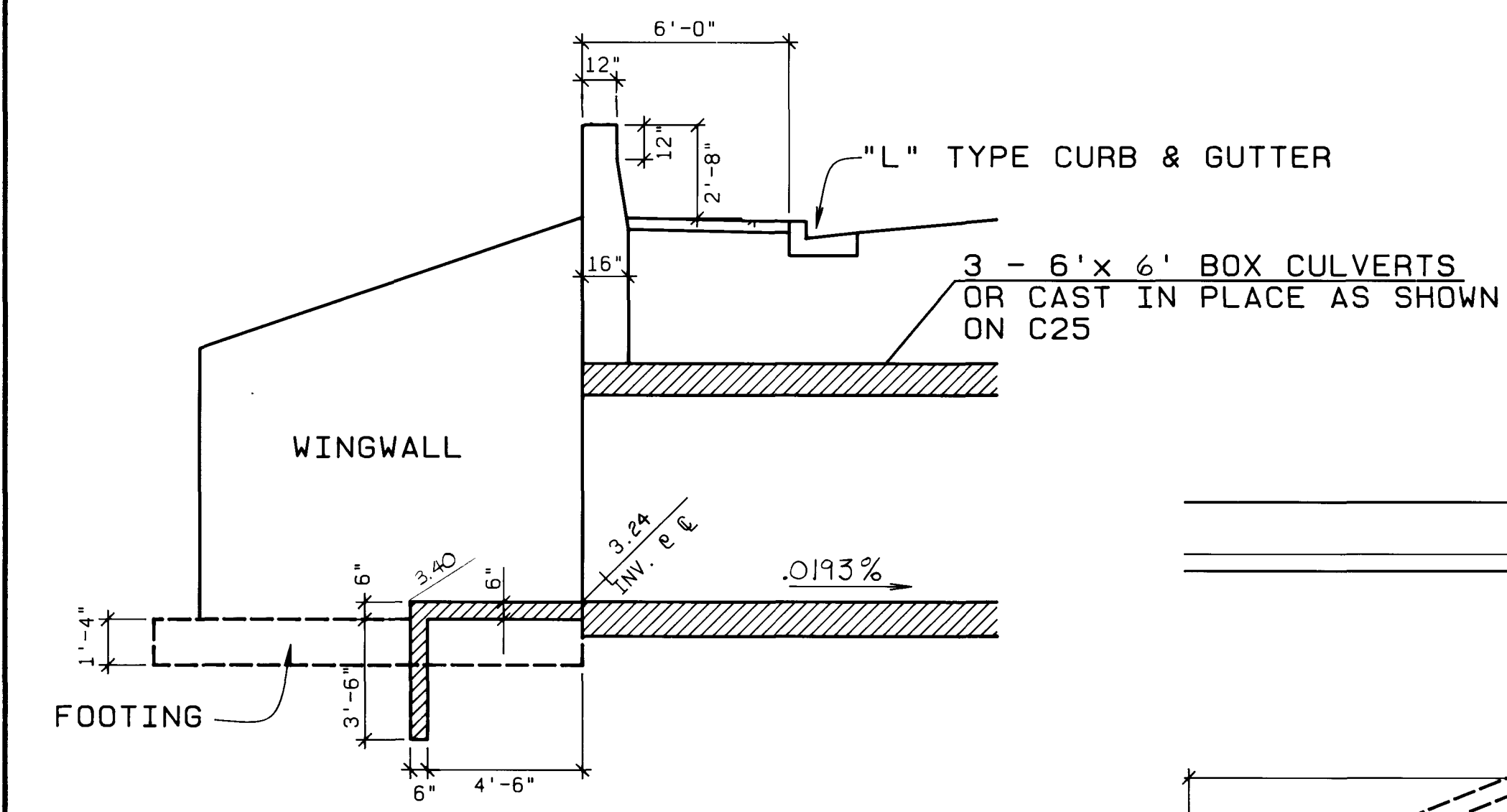
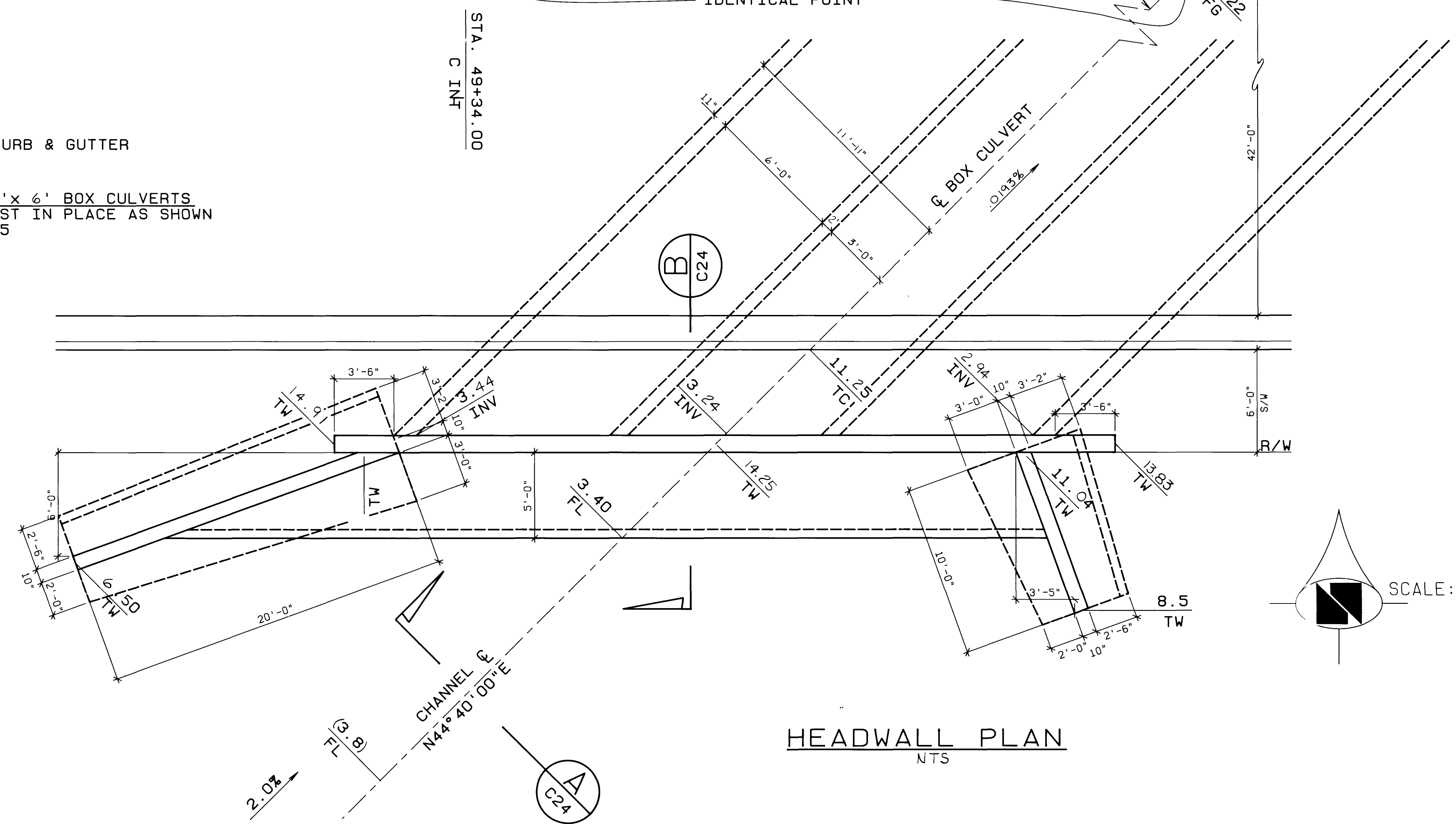


SECTION A
NTS



SECTION B
NTS

- NOTES:
1. CHANNEL IMPROVEMENTS ARE SHOWN ON SHEET C23
 2. STRUCTURAL DETAILS ARE SHOWN ON SHEET C25
 3. STREET IMPROVEMENTS ARE SHOWN ON SHEETS C9 AND C10



HEADWALL PLAN
NTS

REVISION	DATE	BY

PROJECT: WEST CHARLESTON BOULEVARD
HUALPAI WAY TO DURANGO DRIVE

CONSULTING ENGINEERS - PLANNERS
2300 PASEO DEL PRADO BUILDING A SUITE 100
LAS VEGAS, NEVADA 89102 PHONE (702) 873-7550

vtm nevada

TITLE: CROSSING "A" - STRUCTURE CONTROL PLAN

NO. NO. 3464

BY: D.L.A.

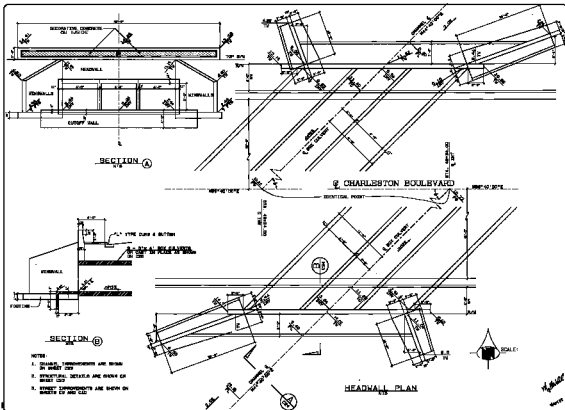
DATE: 09/25/89

SCALE: 1" = 40' H.

SHEET 25
C24
OF 29 SHEETS

M. J. Wallace
7/25/89

15-3 28 107-V-1697



SECTION A
1/8" = 1'-0"

SECTION B
1/8" = 1'-0"

CHARLESTON BOULEVARD

HEADWALL PLAN
1/8" = 1'-0"

- NOTES
1. DIMENSIONS, IMPROVEMENTS AND FINISH BY STREET CDD
 2. STRUCTURAL DETAILS AND FINISH OF STREET CDD
 3. STREET IMPROVEMENTS ARE SHOWN ON SHEETS CDD AND C1D

DATE	DESCRIPTION

PREPARED BY: **W. H. HARRIS**
 CHECKED BY: **W. H. HARRIS**
 DRAWN BY: **W. H. HARRIS**
 SCALE: **AS SHOWN**
W. H. HARRIS

CROSSING "X" - STRUCTURE CONTROL PLAN
 WEST CHARLESTON BOULEVARD
 HEADWALL AND TO DRAINAGE SYSTEM

DATE	DESCRIPTION

C24
 1/8" = 1'-0"