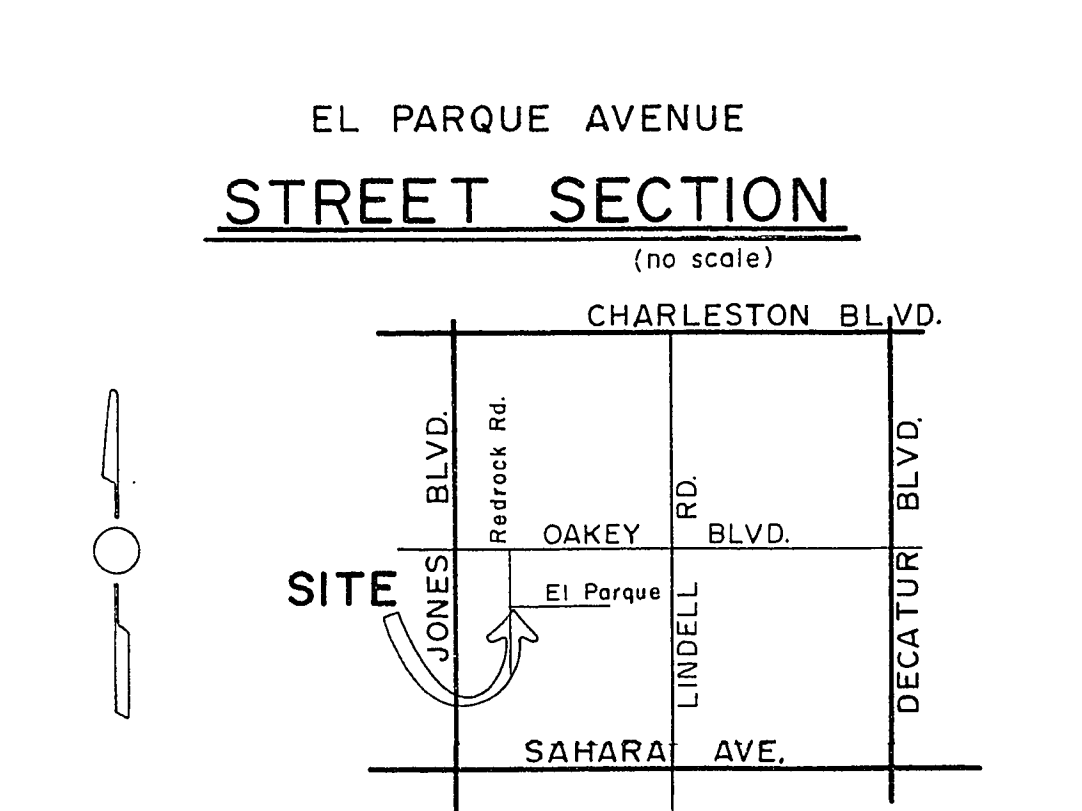
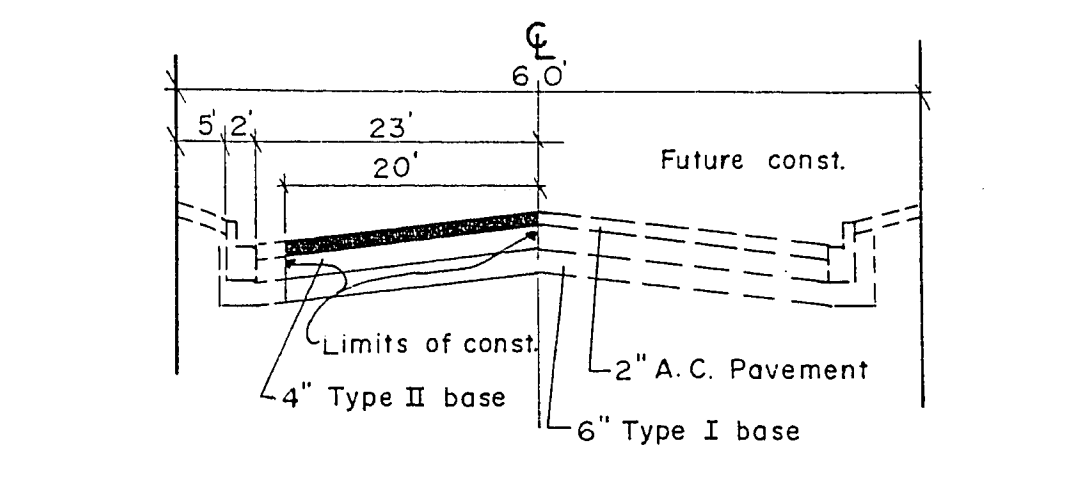
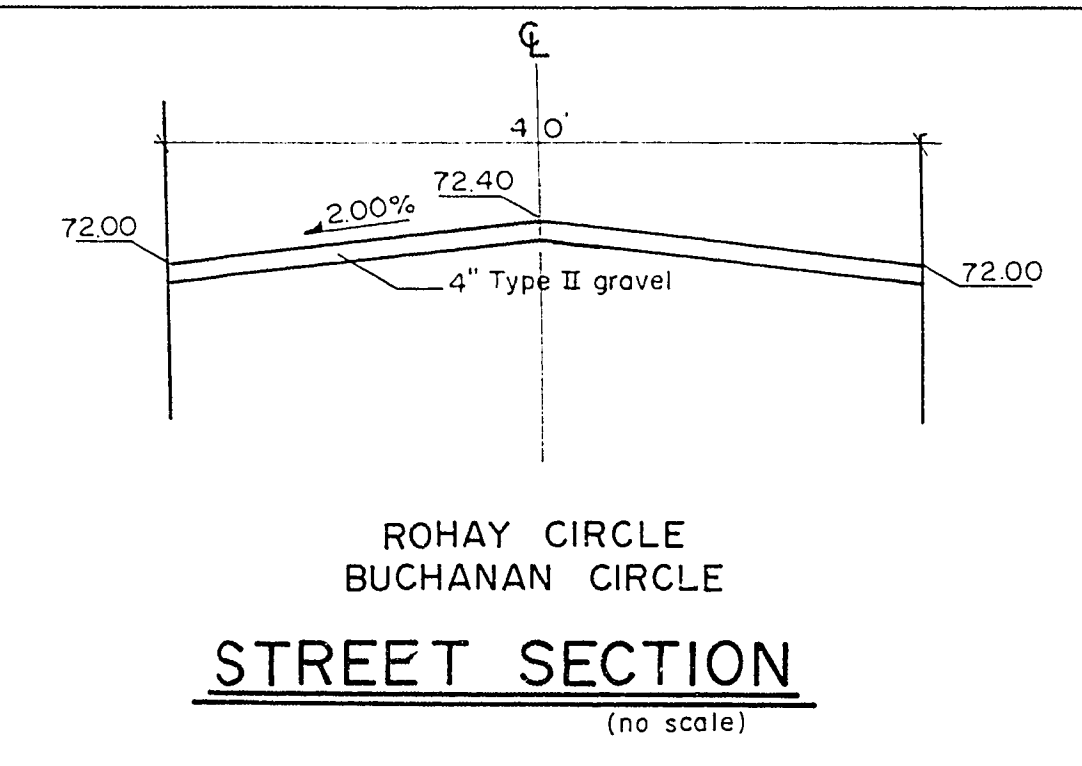
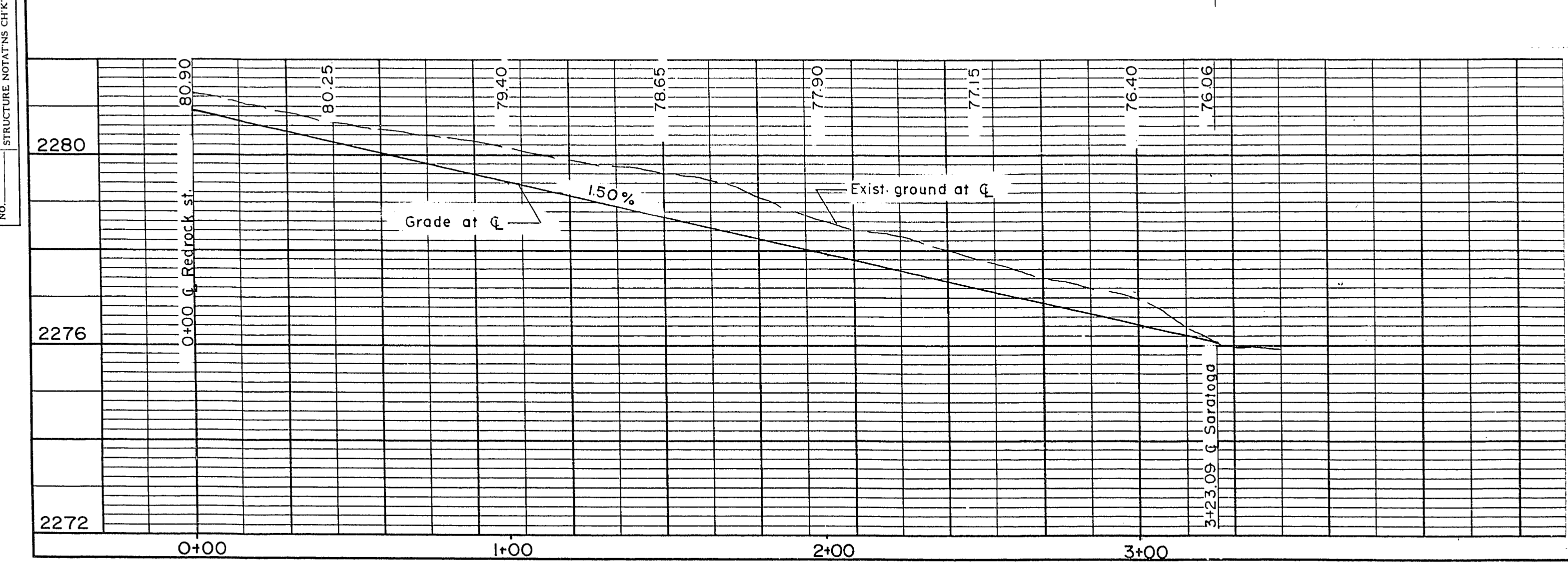
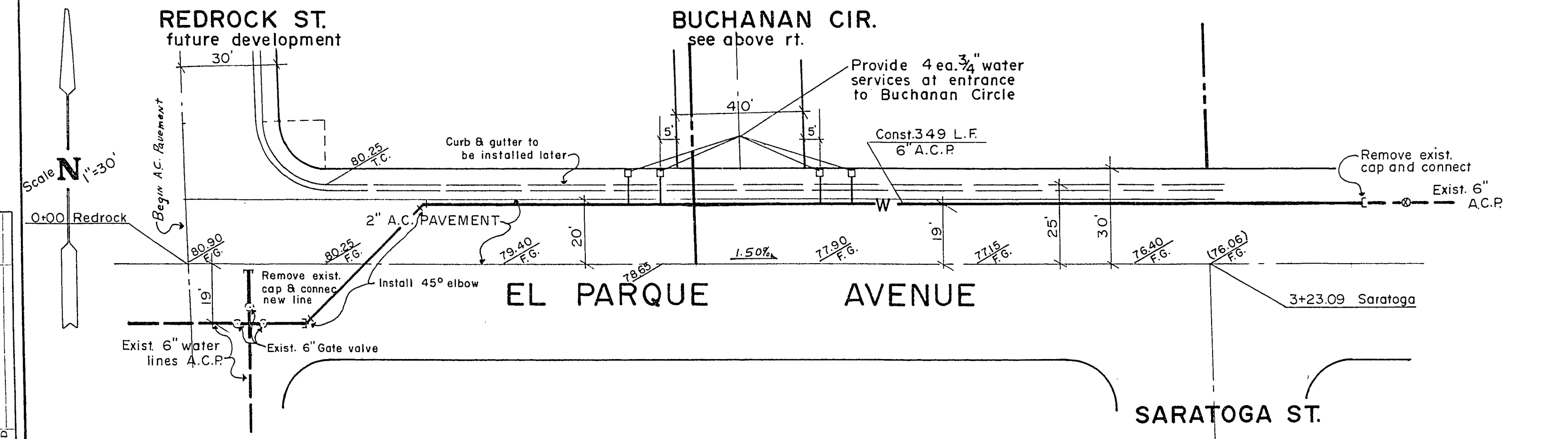
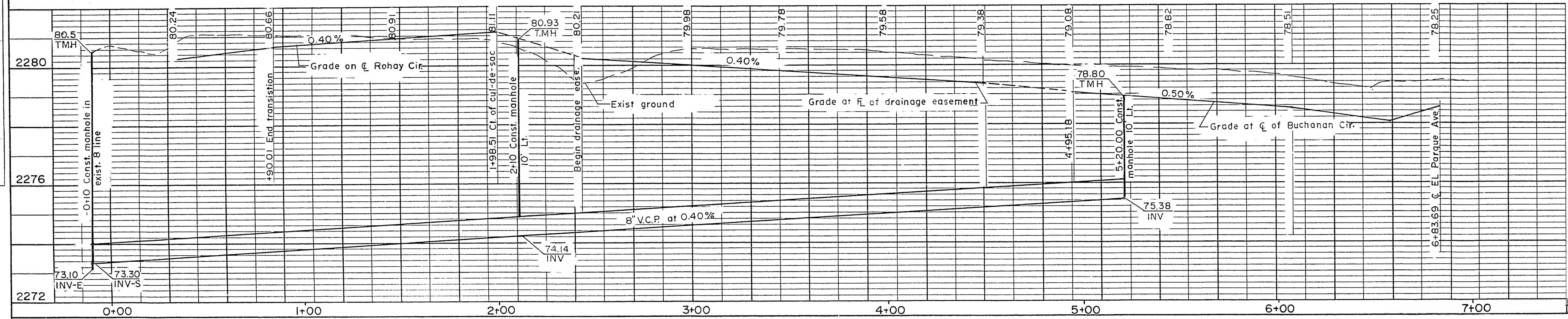
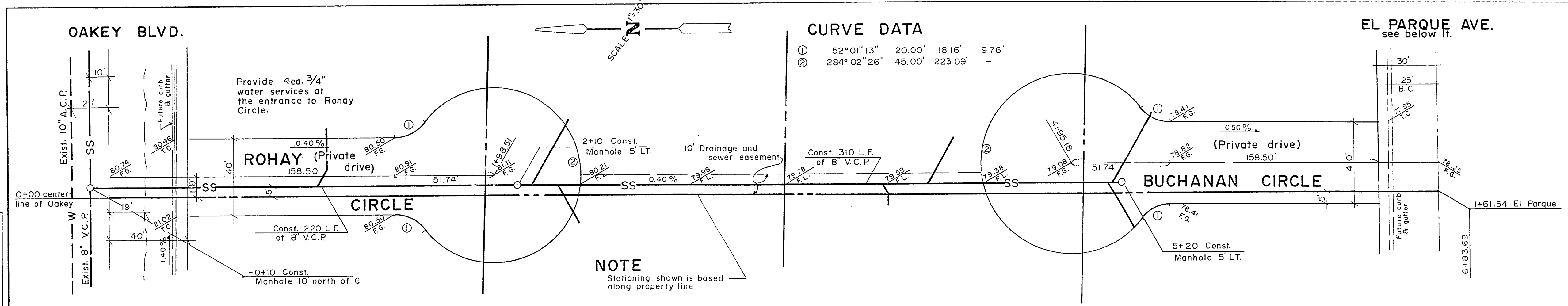


PLAN  
 SURVEYED, PLOTTED, CHECKED, NO. DATE  
 NOTE BOOK, ALIGNMENT CHECKED, NO. DATE  
 STRUCTURE NOTATIONS CHECKED, NO. DATE

PROFILE  
 SURVEYED, PLOTTED, CHECKED, NO. DATE  
 NOTE BOOK, B.M.'S NOTED, NO. DATE  
 STRUCTURE NOTATIONS CHECKED, NO. DATE



**APPROVALS**

*R.D. Anton* 6-6-77  
 Las Vegas Sanitation Superintendent date

*James J. [Signature]* 6/1/77  
 Quality Control Engineer date

*[Signature]* 6-6-77  
 Field Engineer date

*William [Signature]* 6/8/77  
 City Engineer date

REVISION NO.	DESCRIPTION	BY	DATE	APPROVAL
REVISIONS				
WATER, SEWER & STREET PLAN EL PARQUE AVE - BUCHANAN CIR. - ROHAY CIR.				
APPROVED				
SCALE (H) 1"=30'		SCALE (V) 1"=2'		
DES. JR	2-5-77			
DR. JR	2-5-77			
CHK.				