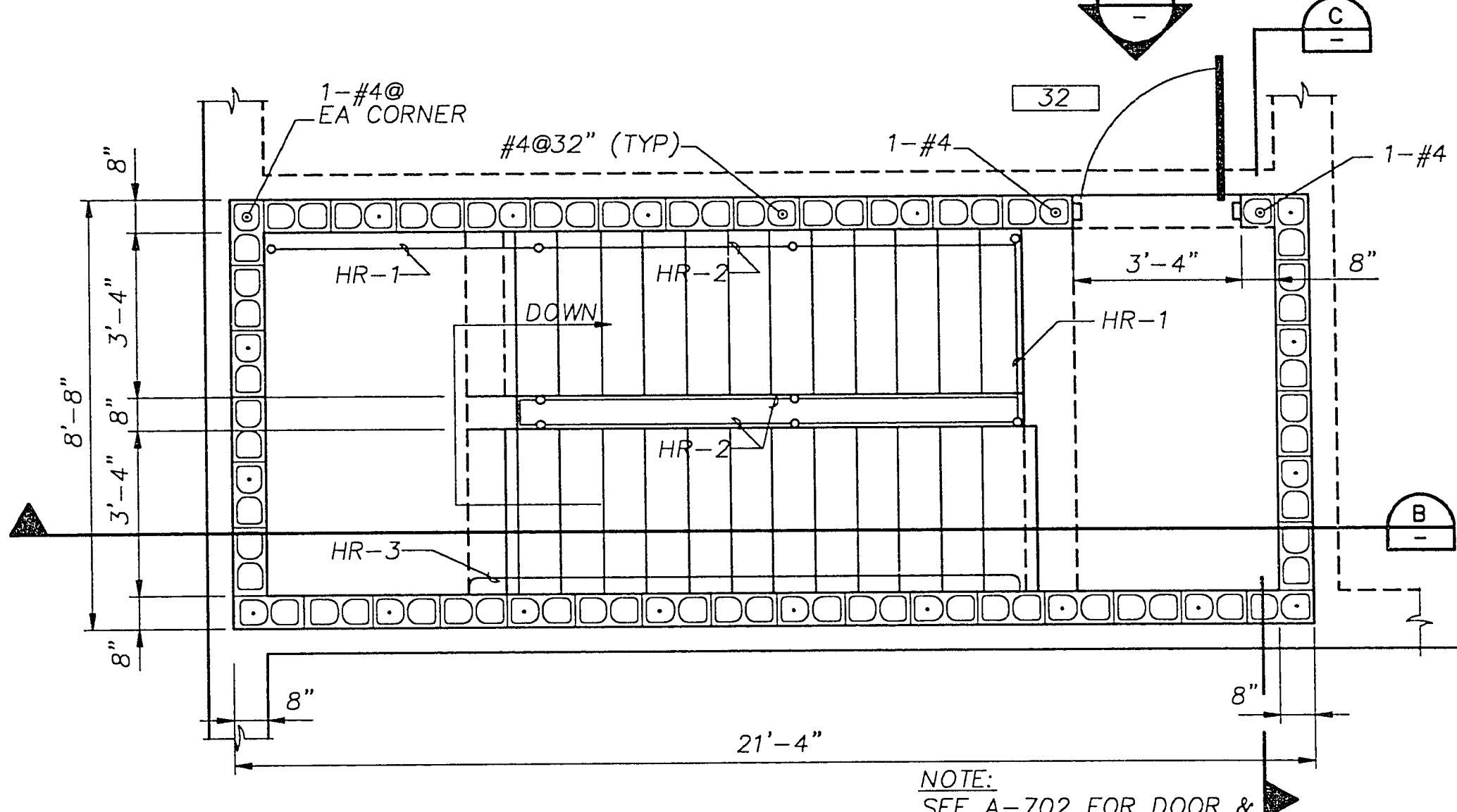
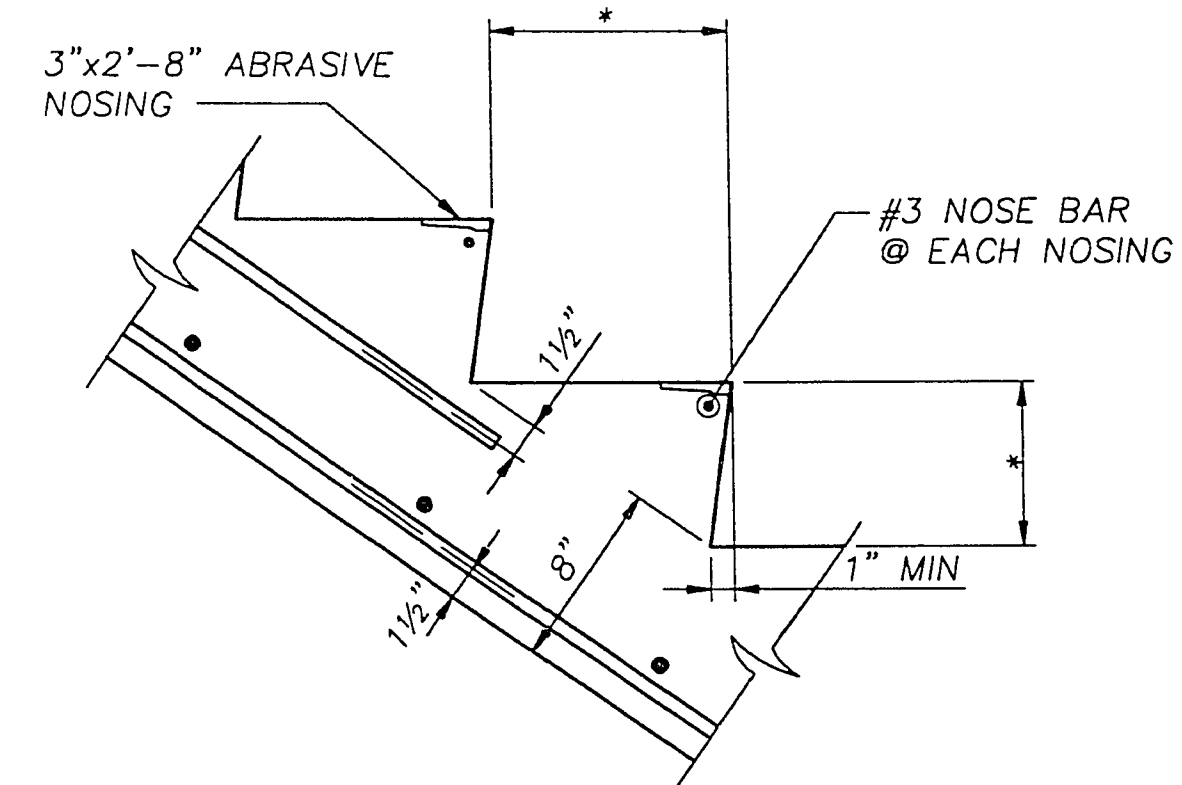


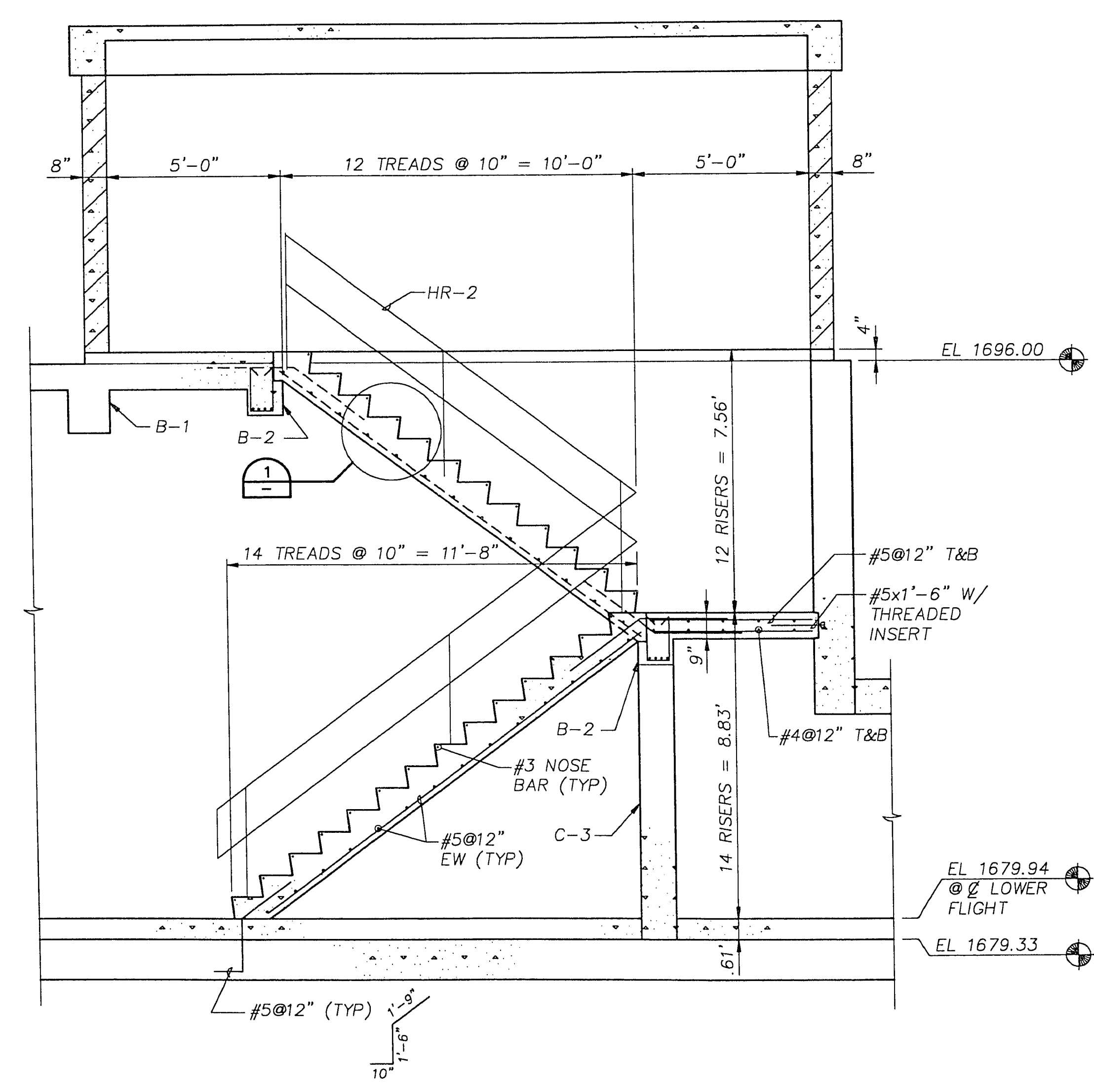
TUNNEL ACCESS STRUCTURE NO. 1 PLAN
3/8"=1'-0"



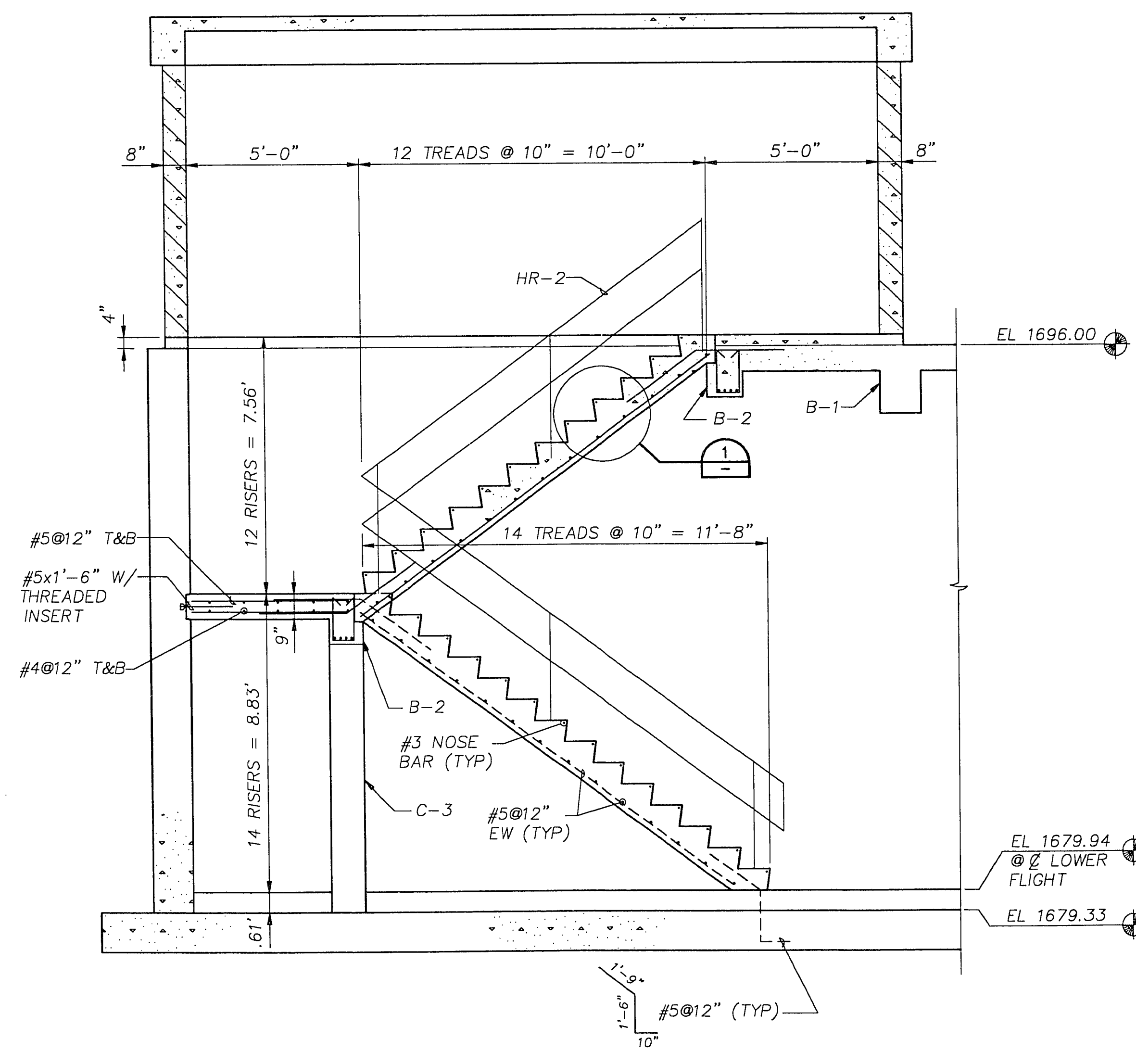
TUNNEL ACCESS STRUCTURE NO. 2 PLAN
3/8"=1'-0"



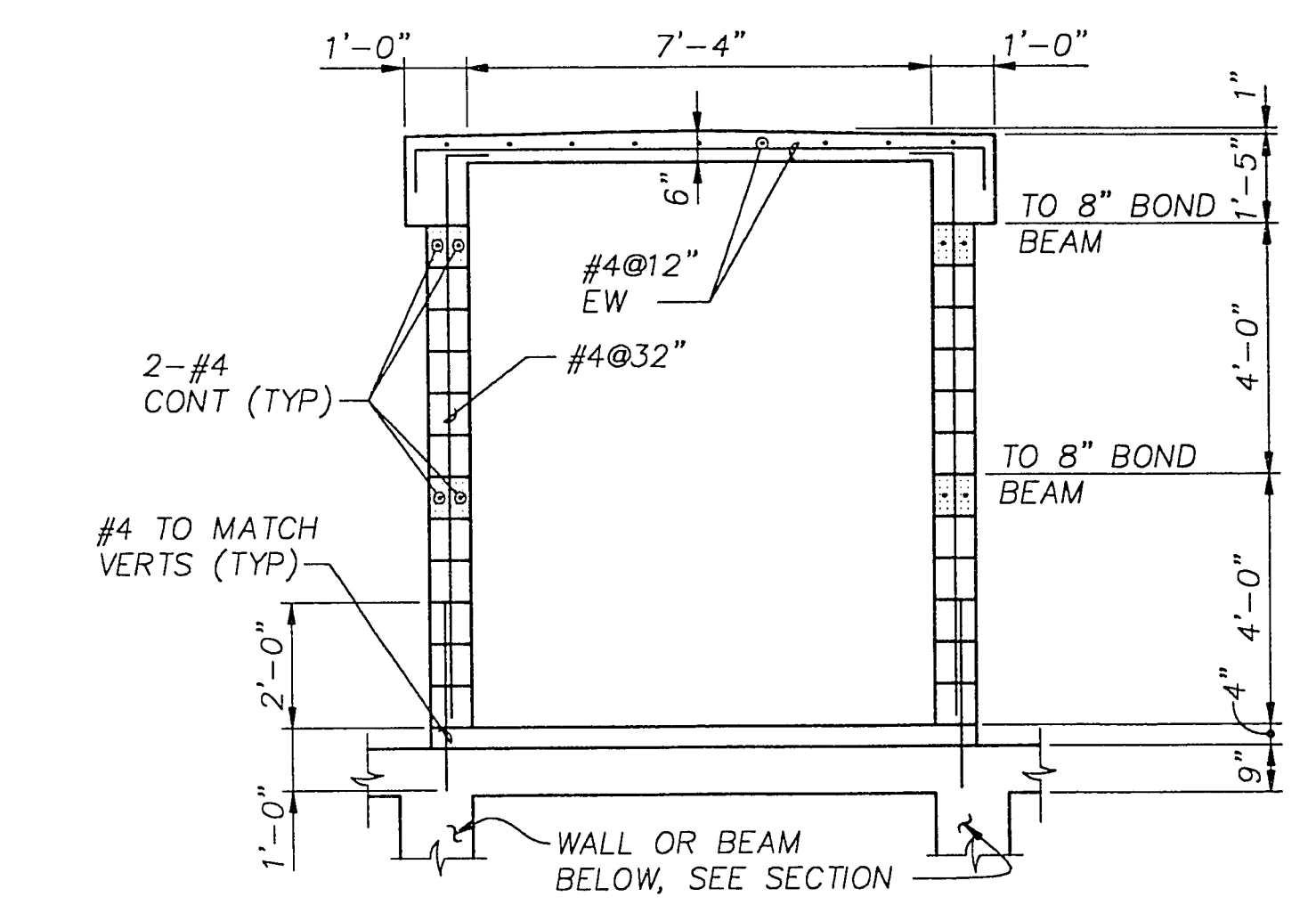
DETAIL
1/2"=1'-0"



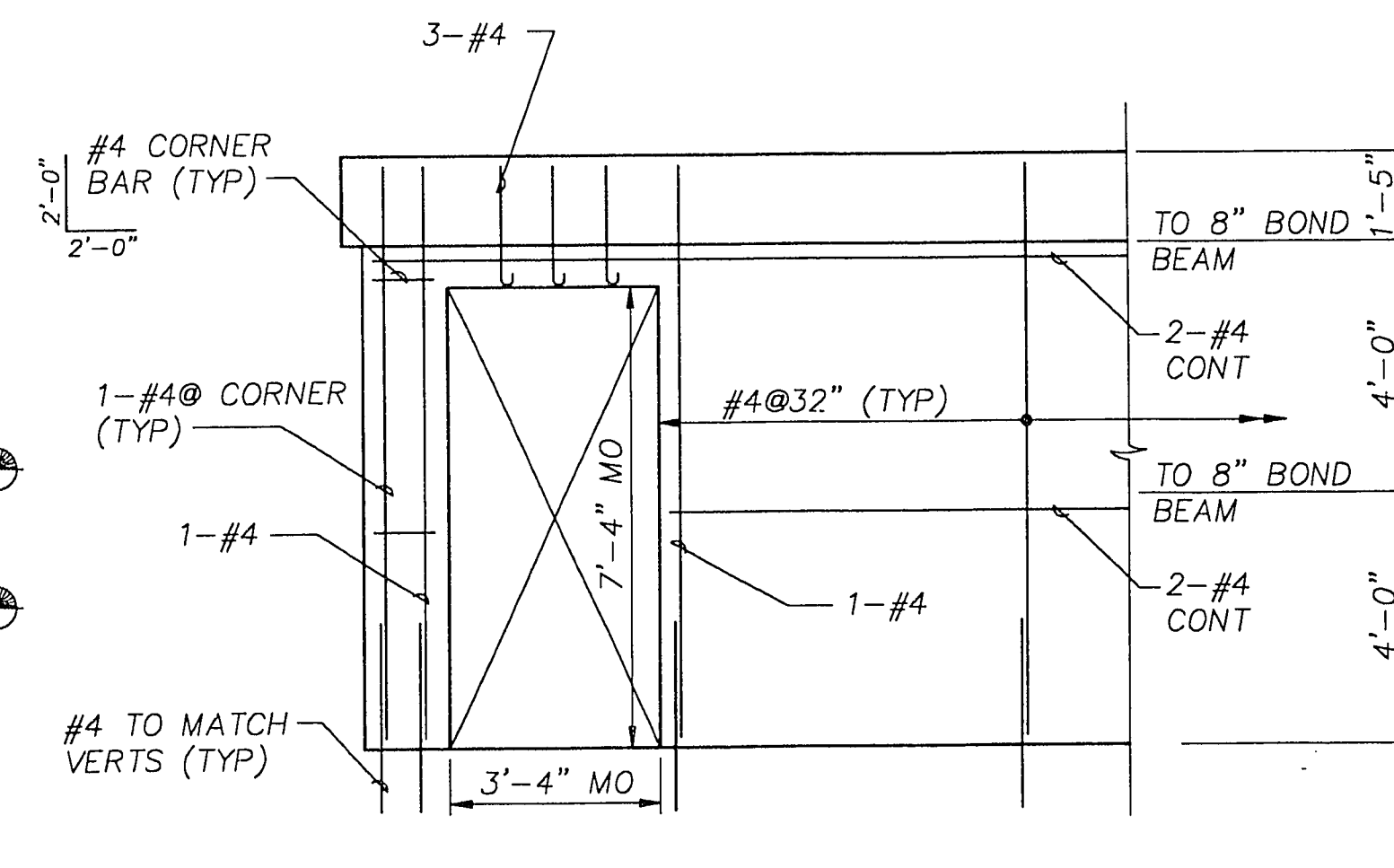
SECTION
3/8"=1'-0"



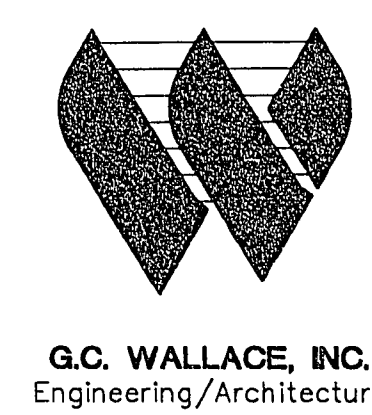
SECTION
3/8"=1'-0"



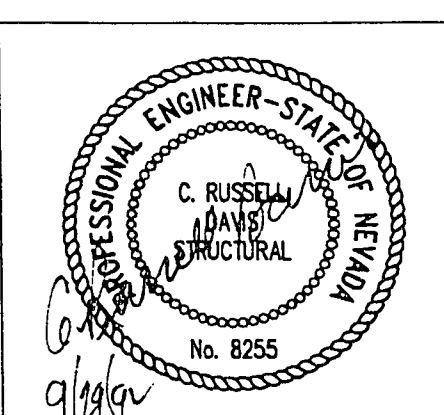
SECTION
3/8"=1'-0"



PARTIAL ELEVATION
3/8"=1'-0"



Issue No.	Description	Date	Drawn	Chkd.	Resp. Engr.	Proj. Mgr.
1	CORRECTED ACCORDING TO CONSTRUCTION RECORD	1/95	RRL	EFH	MJH	JJC
0	ISSUED FOR CONSTRUCTION	8/20/92	JH	CLS	CRD	JJC
A	ISSUED FOR BID	4/20/92	JH	CLS	CRD	JJC



Project Manager	JOHN J. CHUEH
Architect	MC/Process
Civil	Mechanical
Electrical	Structural
	R. DAVIS
	Drawn By
	J. HIRSHOUER

City of Los Angeles
Water Pollution Control Facility
Nitrification / Filtration Facilities
Contract 17
NITRIFICATION COMPLEX

AERATION BASINS TUNNEL ACCESS STRUCTURES			
Date	APRIL 1992	Project No.	00120-084-141
Scale	AS NOTED	Drawing No.	S-316
		Issue	1