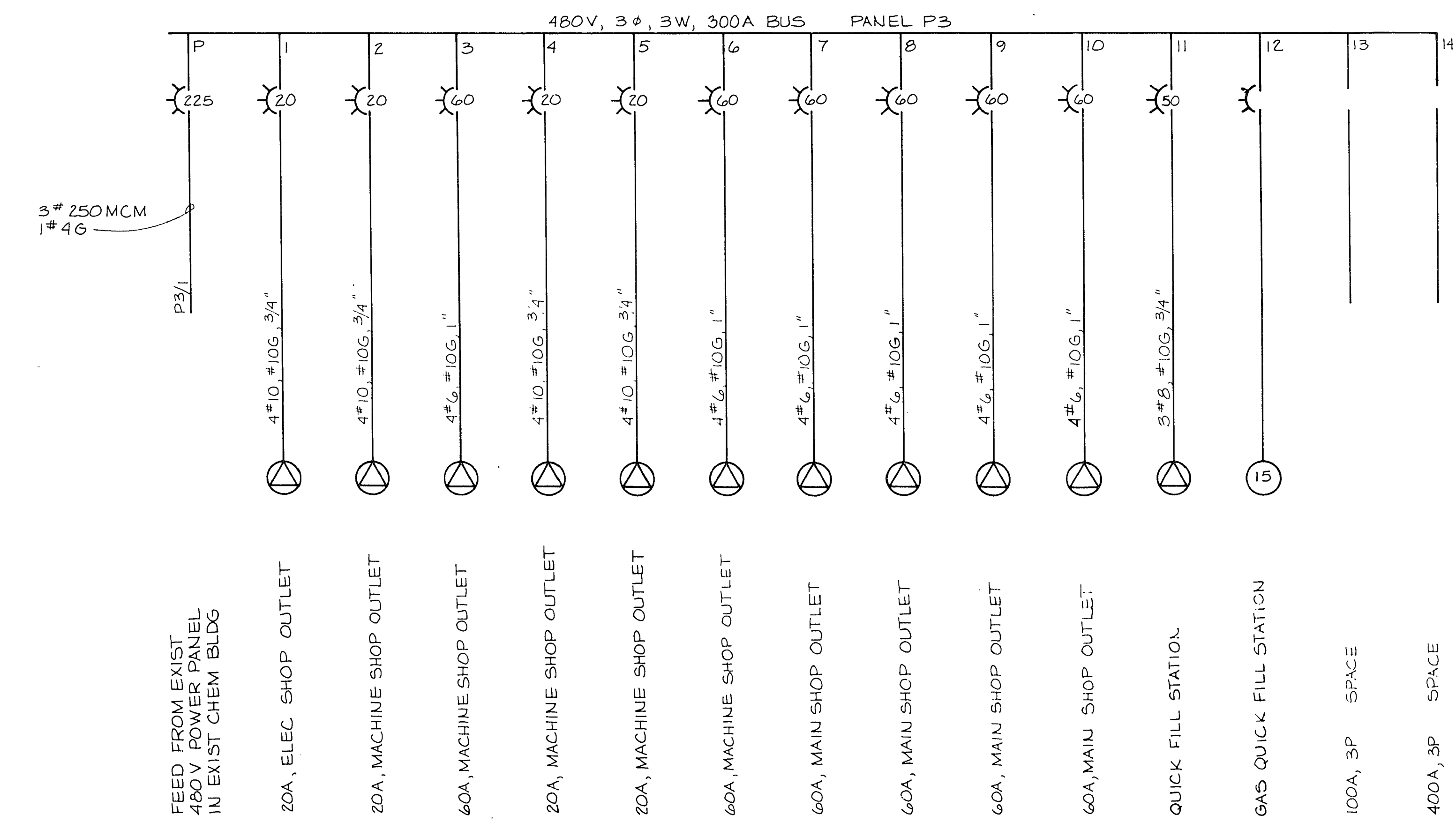
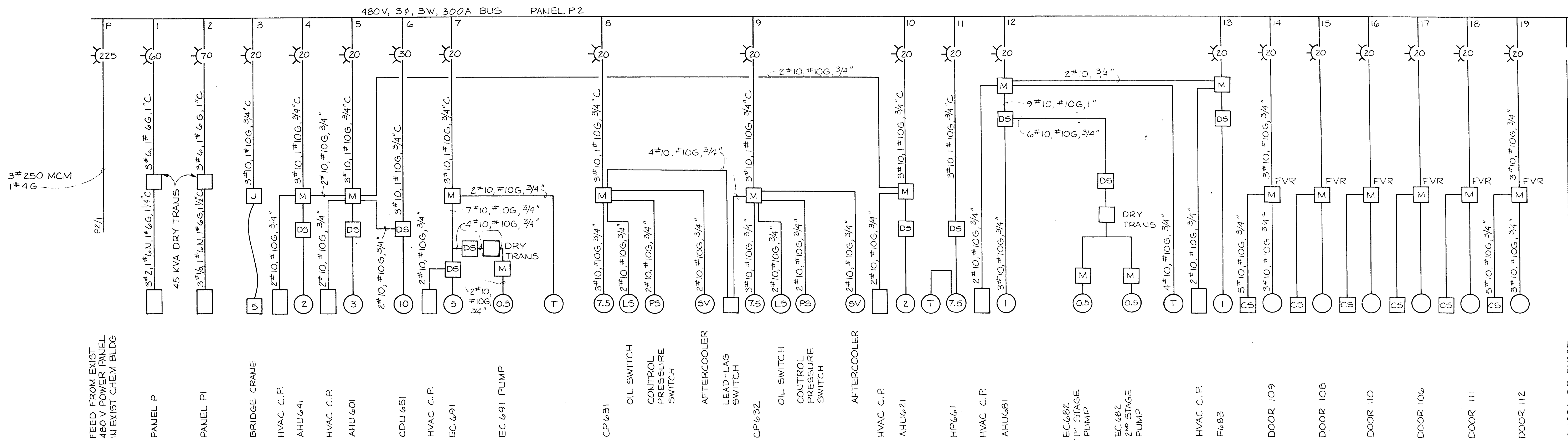


NOTE: MAIN FEEDER CONDUCTORS TO PANEL 2 AND PANEL 3 FROM CHEMICAL BUILDING INSTALLED UNDER CONTRACT 1.



PANEL P, 120/208V, 3 $\phi$ , 4W, S/N, 125 AMP  
MAIN CB (MAINTENANCE BUILDING) -  
SERVED BY 45 KVA TRANSFORMER, 480 - 120/208V, 3 $\phi$ , 4W

DESIGNATION	DESCRIPTION	BREAKERS		LOAD, WATTS
		POLES	TRIP	
1	LIGHTS	1	20	1,500
2	LIGHTS	1	20	1,100
3	LIGHTS	1	20	1,500
4	LIGHTS	1	20	1,500
5	LIGHTS	1	20	1,500
6	LIGHTS	1	20	1,800
7	LIGHTS	1	20	1,500
8	LIGHTS	1	20	1,000
9	LIGHTS	2	20	2,500
10	LIGHTS	2	20	2,500
11	OUTLETS	2	20	1,500
12	OUTLETS	1	20	300
13	OUTLETS	1	20	300
14	OUTLETS (GF1)	1	20	500
15	OUTLETS (GF1)	1	20	500
16	OUTLETS (GF1)	1	20	1,000
17	TEL. OUTLET	1	20	100
18	OUTLETS	1	20	500
19	OUTLETS (GF1)	1	20	1,260
20	OUTLETS	1	20	300
21	OUTLETS	1	20	720
22	OUTLETS	1	20	500
23	OUTLETS	1	20	500
24	OUTLETS	1	20	500
25	OUTLETS	1	20	1,000
26	OUTLETS	1	20	1,000
27	OUTLETS	1	20	1,000
28	OUTLETS	1	20	1,000
29	OUTLETS	1	20	1,000
30	OUTLETS	1	20	1,000
31	OUTLETS	1	20	500
32	OUTLETS (GF1)	1	20	200
33	OUTLETS	1	20	500
34	OUTLETS	1	20	500
35	MICROWAVE OVEN	1	20	1,000
36	240V OUTLET	2	30	
				35,580

PANELS P1, 120/208V, 3 $\phi$ , 4W, S/N,  
(MAINTENANCE BUILDING) -  
SERVED BY 45 KVA TRANSFORMER, 480 - 120/208V, 3 $\phi$ , 4W  
P1A: 39 CIRCUIT W/100 AMP MAIN P1B: 24 CIRCUIT W/50 AMP MAIN

CIRCUIT	DESCRIPTION	BREAKERS		LOAD, WATTS
		POLES	TRIP	
1	OUTLETS	2	20	2,000
2	OUTLETS	1	20	500
3	OUTLETS	1	20	500
4	OUTLETS	1	20	500
5	OUTLETS	1	20	500
6	OUTLETS	1	20	500
7	OUTLETS	1	20	500
8	A0633	1	20	200
9	A0634	1	20	200
10	F684	1	20	200
11	F685	1	20	200
12	UH686	1	20	200
13	UH687	1	20	200
14	UH688	1	20	200
15	UH689	1	20	200
16	WS670	1	20	200
17	F665	1	20	200
18	SOLAR CONTROLLER	2	20	1,000
19	F695	1	20	500
20	OUTLETS	1	20	500
21	OUTLETS	1	20	500
22	LIGHTS	1	20	1,200
23	LIGHTS	1	20	1,600
24	RANGE	2	50	9,000
25	OUTLETS	2	20	1,500
26	OUTLETS	2	20	1,500
27	OUTLETS	2	20	1,500
28	OUTLETS	2	20	1,500
29	IRRIGATION	1	20	300
30	QUICK FILL STATION LIGHTS	1	20	200
31	OUTSIDE LIGHTS	1	20	500
32	OUTSIDE LIGHTS	1	20	500
33	OUTSIDE LIGHTS	1	20	500
34	FUEL DISPENSER	1	20	500
35	FUEL DISPENSER	1	20	500
				31,100

**MAINTENANCE BUILDING**  
ONE-LINE & PANEL SCHEDULES

City of Las Vegas  
WASTEWATER TREATMENT PLANT  
Maintenance & Storage Buildings  
Contract No. 5

Job No. 140.15  
Designed WEE  
Drawn BMP  
Checked DW/R  
Approved DAD  
Date 4/24/89

Sheet 51  
**E-6**  
of 57

311.25