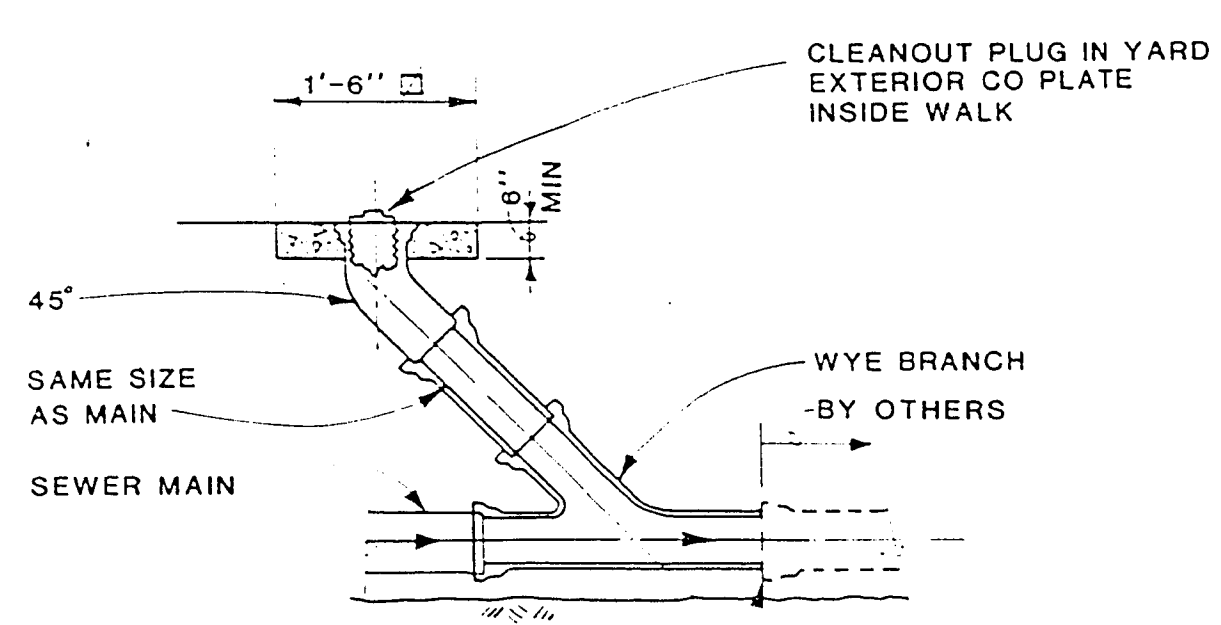
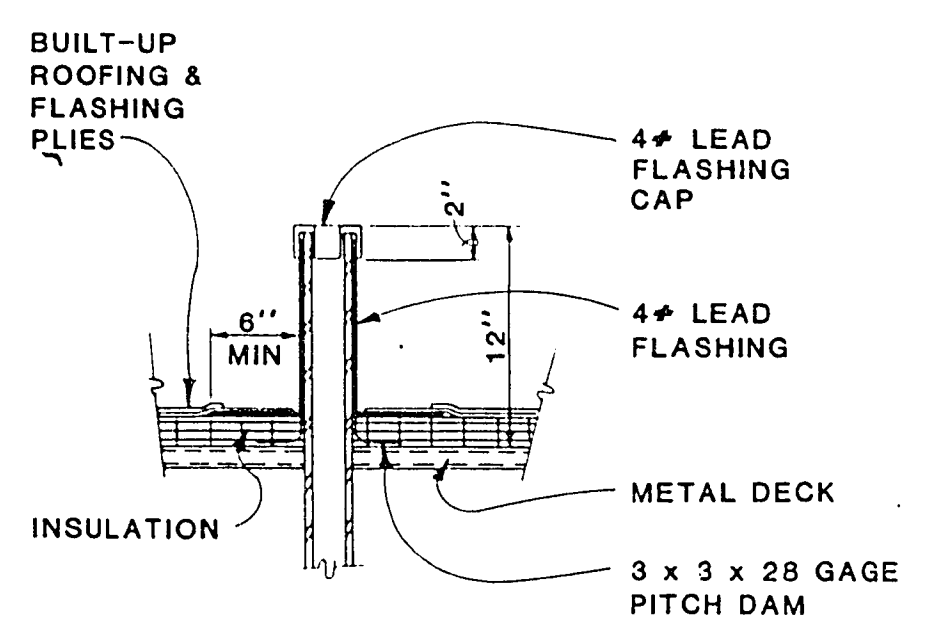


WATER SCHEMATIC

NOTE: CONCRETE PAD UNLESS OTHERWISE INDICATED



DETAIL 1
NTS M7



DETAIL 2
NTS M7

CULP/WESNER/CULIP
CARMELON PARK, CALIFORNIA
SANTA ANA, CALIFORNIA DENVER, COLORADO

H D R
CULP/WESNER/CULIP

REGISTERED PROFESSIONAL ENGINEER
CIVIL
NO. 1210

Job No. 740.15
Designed PSC
Drawn MAVE
Checked RDBM
Approved DAD
Date 1/24/89

No.	By	Date	Revision Description
1	MAVE	1/24/89	AS SHOWN
2	MAVE	1/24/89	REVISION TO 1

City of Las Vegas
WASTEWATER TREATMENT PLANT
Maintenance & Storage Buildings
Contract No. 5

MAINTENANCE BUILDING
WATER SCHEMATIC & DETAILS

Sheet 44
M-9
of 57

17-1-124 311.25