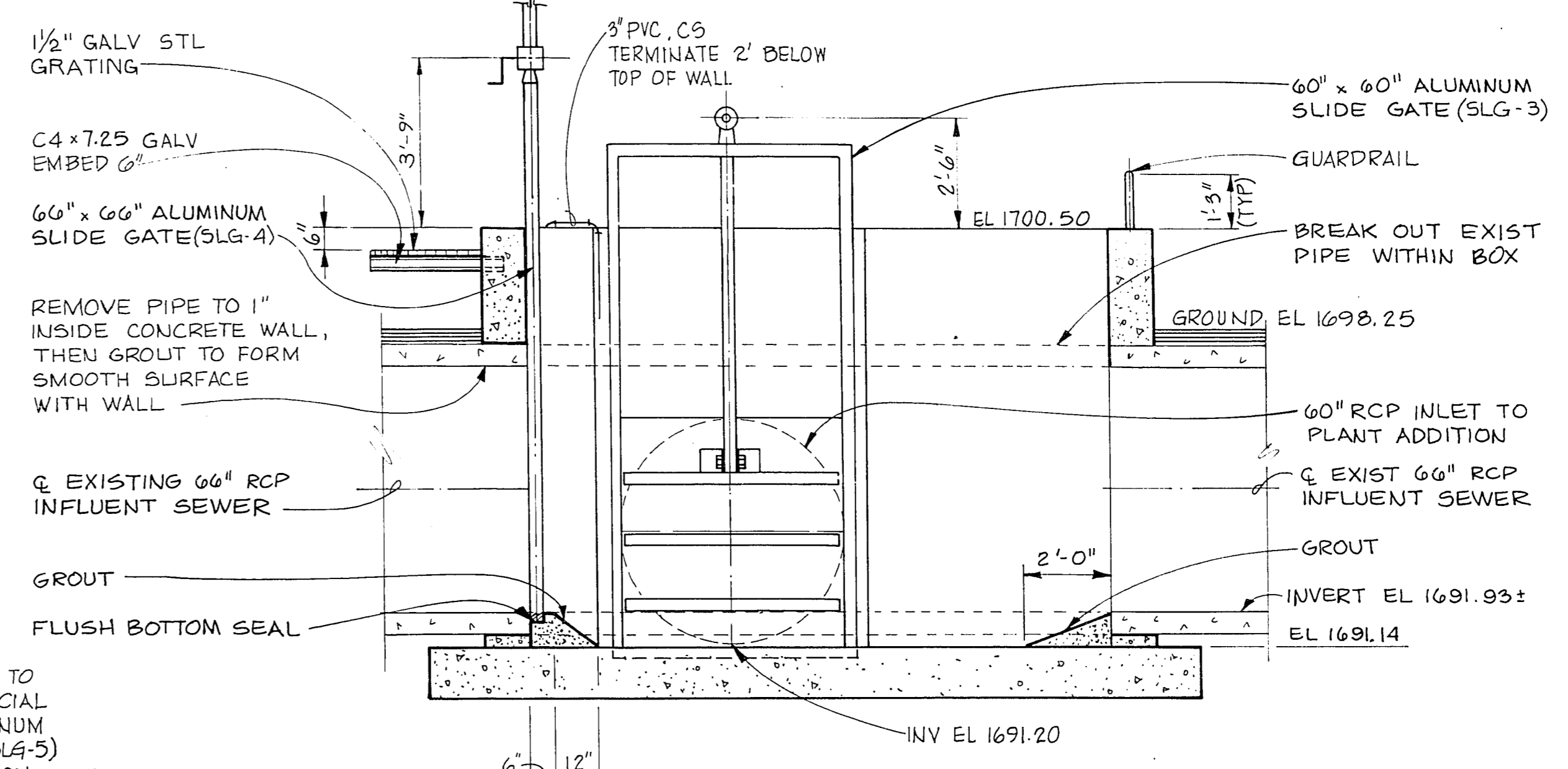
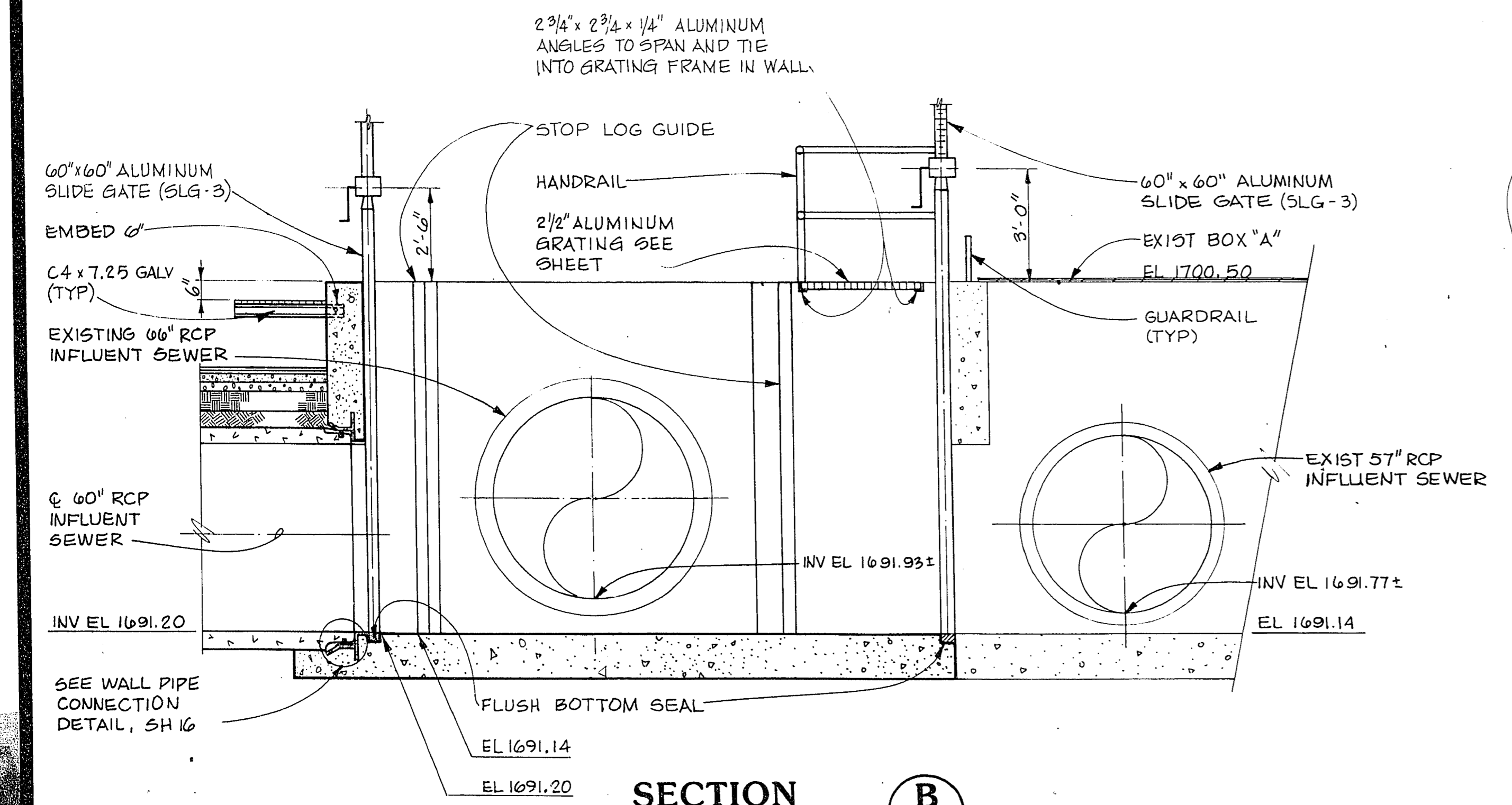


**JUNCTION BOX PLAN AT INFLUENT SEWER**  
3/8" = 1'-0"

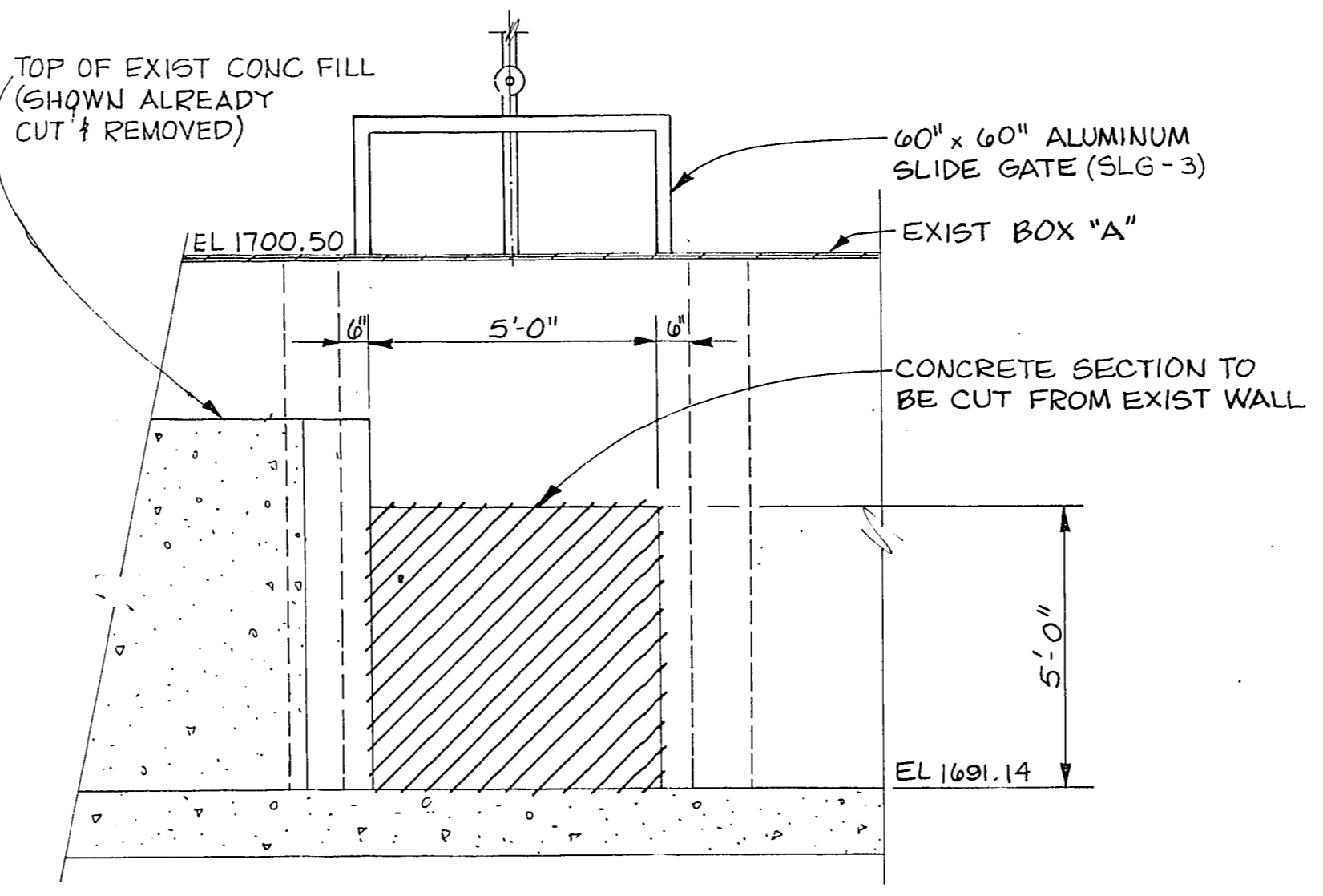
NOTE: CONTRACTOR TO VERIFY DISTANCE BETWEEN EXISTING PIPELINES AND DIMENSIONS OF EXISTING BOX.



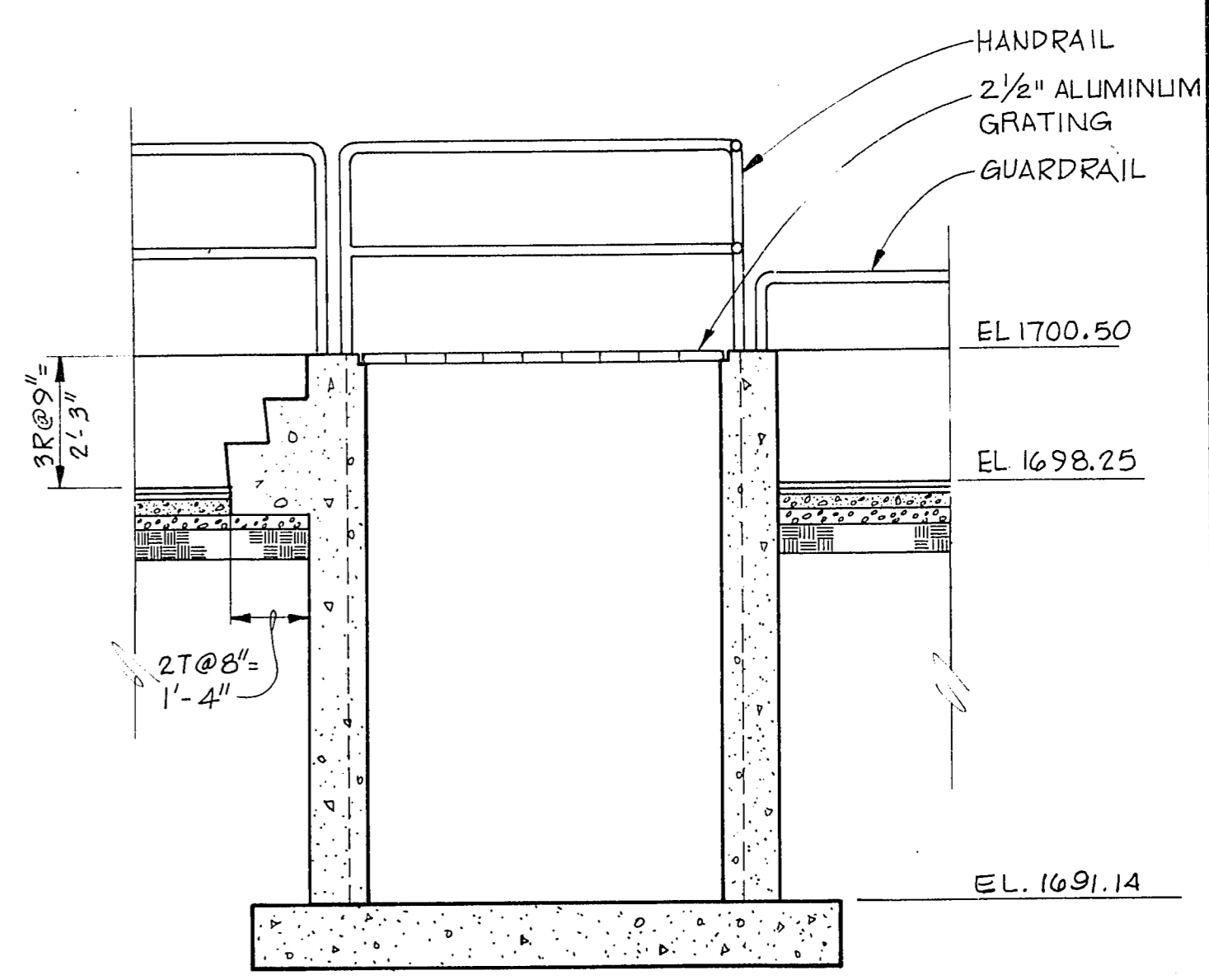
**SECTION A**  
3/8" = 1'-0"



**SECTION B**  
3/8" = 1'-0"



**SECTION C**  
3/8" = 1'-0"



**SECTION D**  
3/8" = 1'-0"



Job No. 120-19-41  
Designed by: [blank]  
Drawn by: ERL  
Checked by: JAY  
Approved: JAP  
Date: 7-88

No.	By	Description	Date

City of Las Vegas  
WASTEWATER TREATMENT PLANT  
NEW BAR SCREEN FACILITY AND  
PLANT NO. 1 GRIT BASIN RENOVATION

**JUNCTION BOX AT  
INFLUENT SEWER -  
MECHANICAL PLAN  
& SECTIONS**

5-1-10 3/11/20