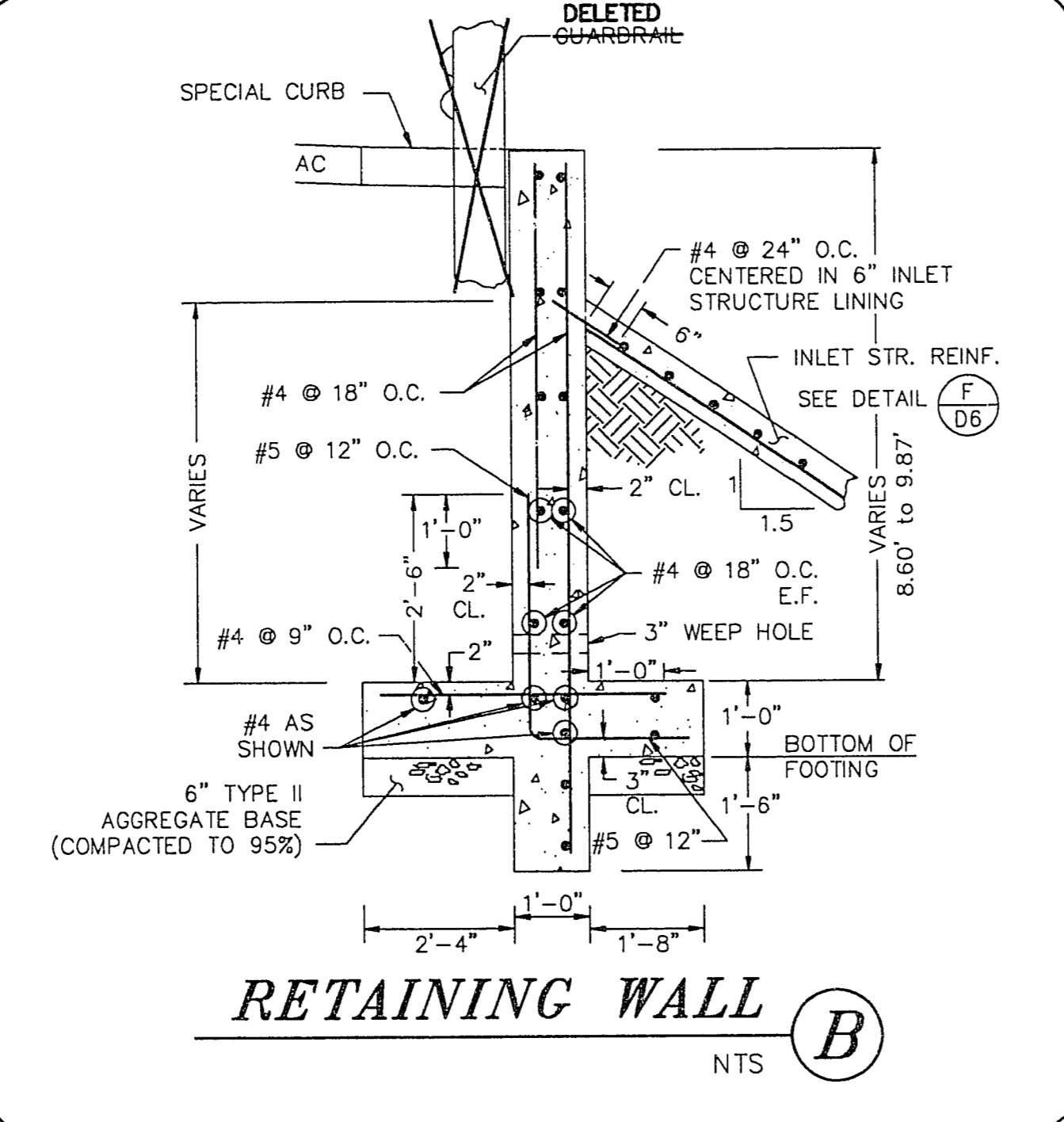
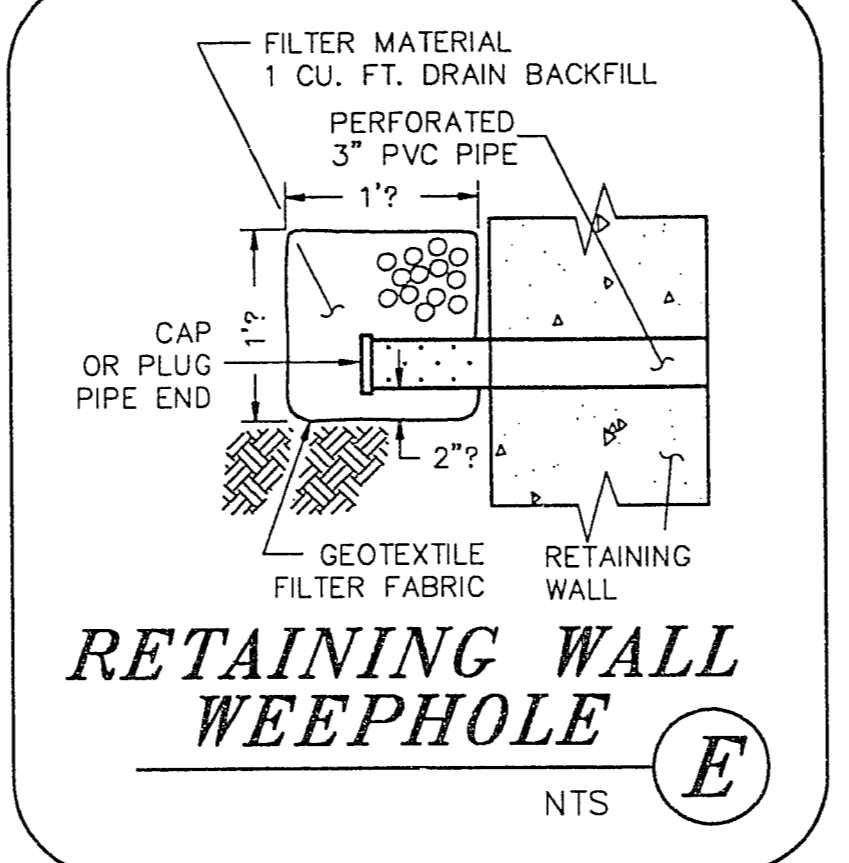


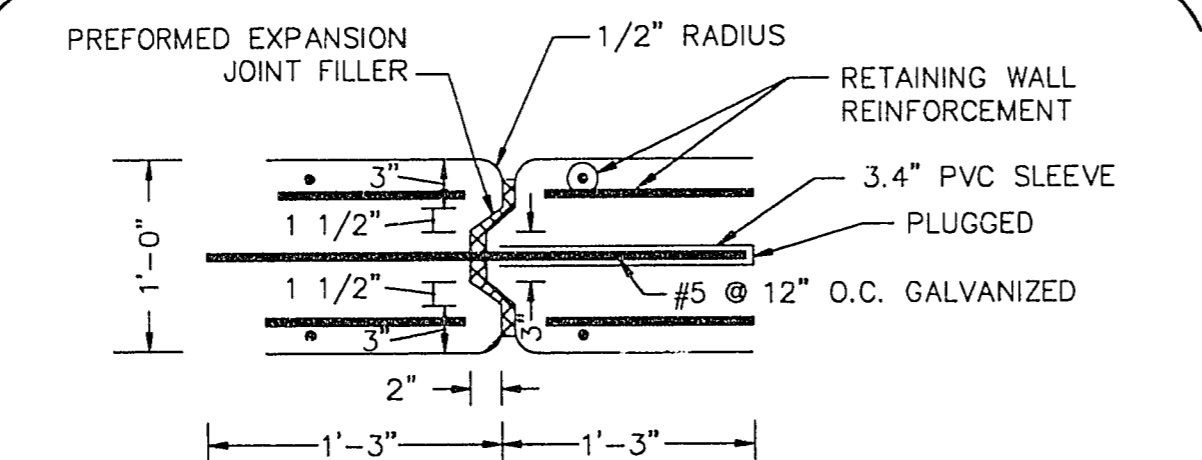
RETAINING WALL A
NTS



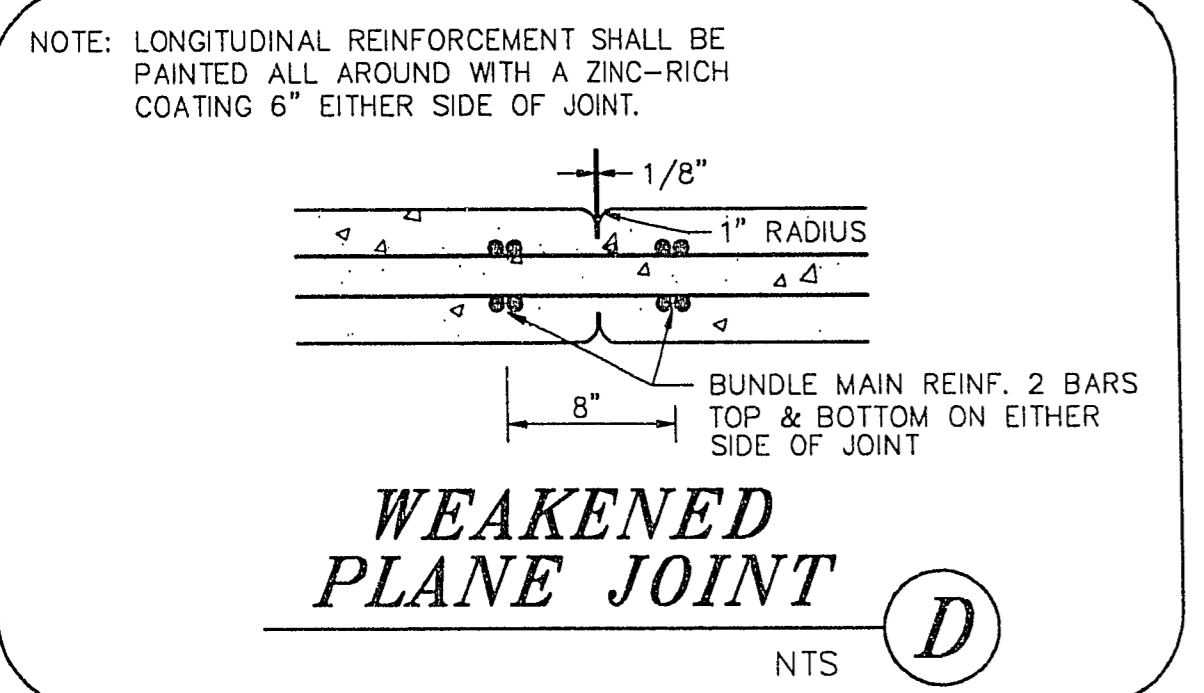
RETAINING WALL B
NTS



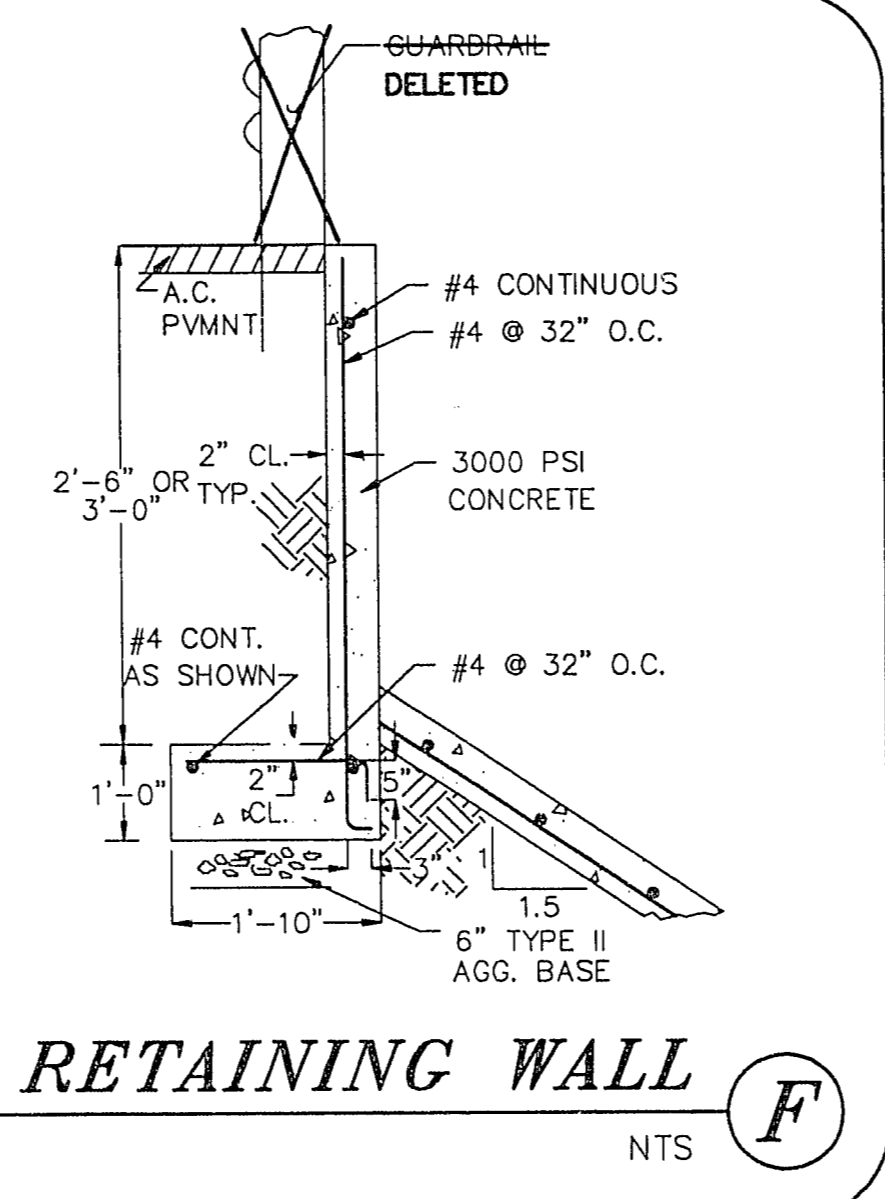
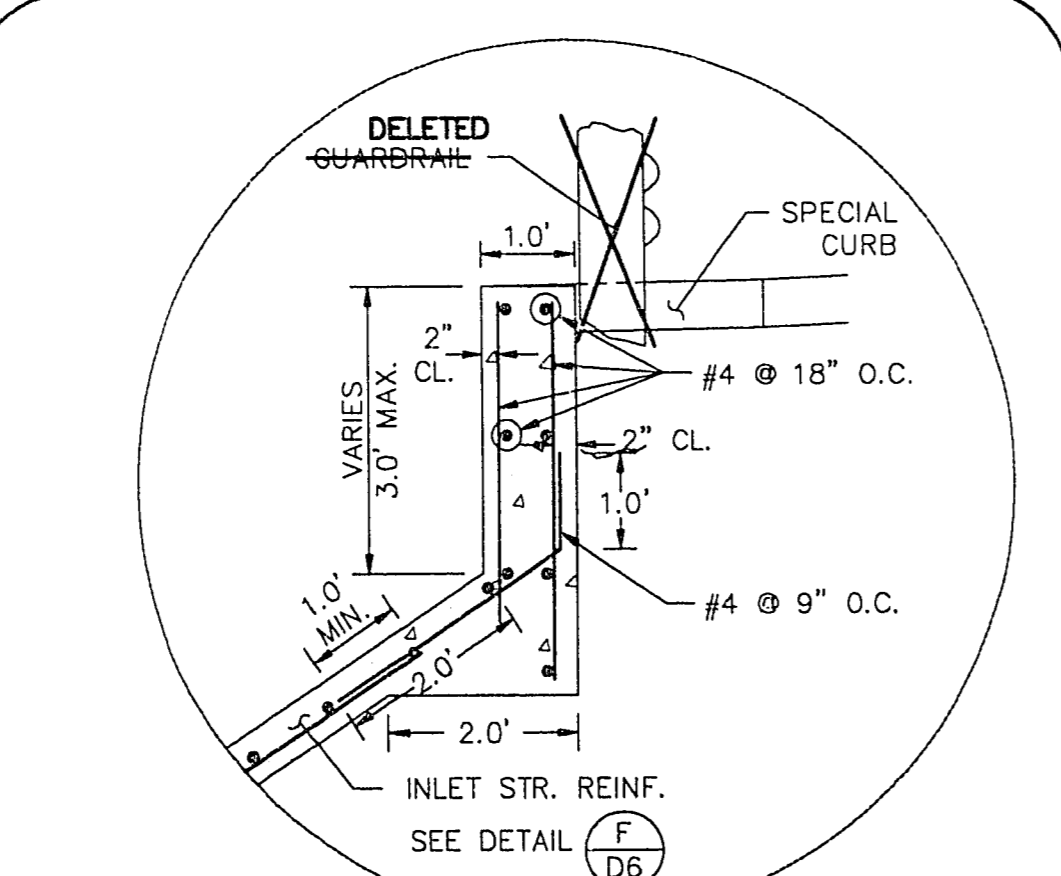
RETAINING WALL WEEPHOLE
NTS



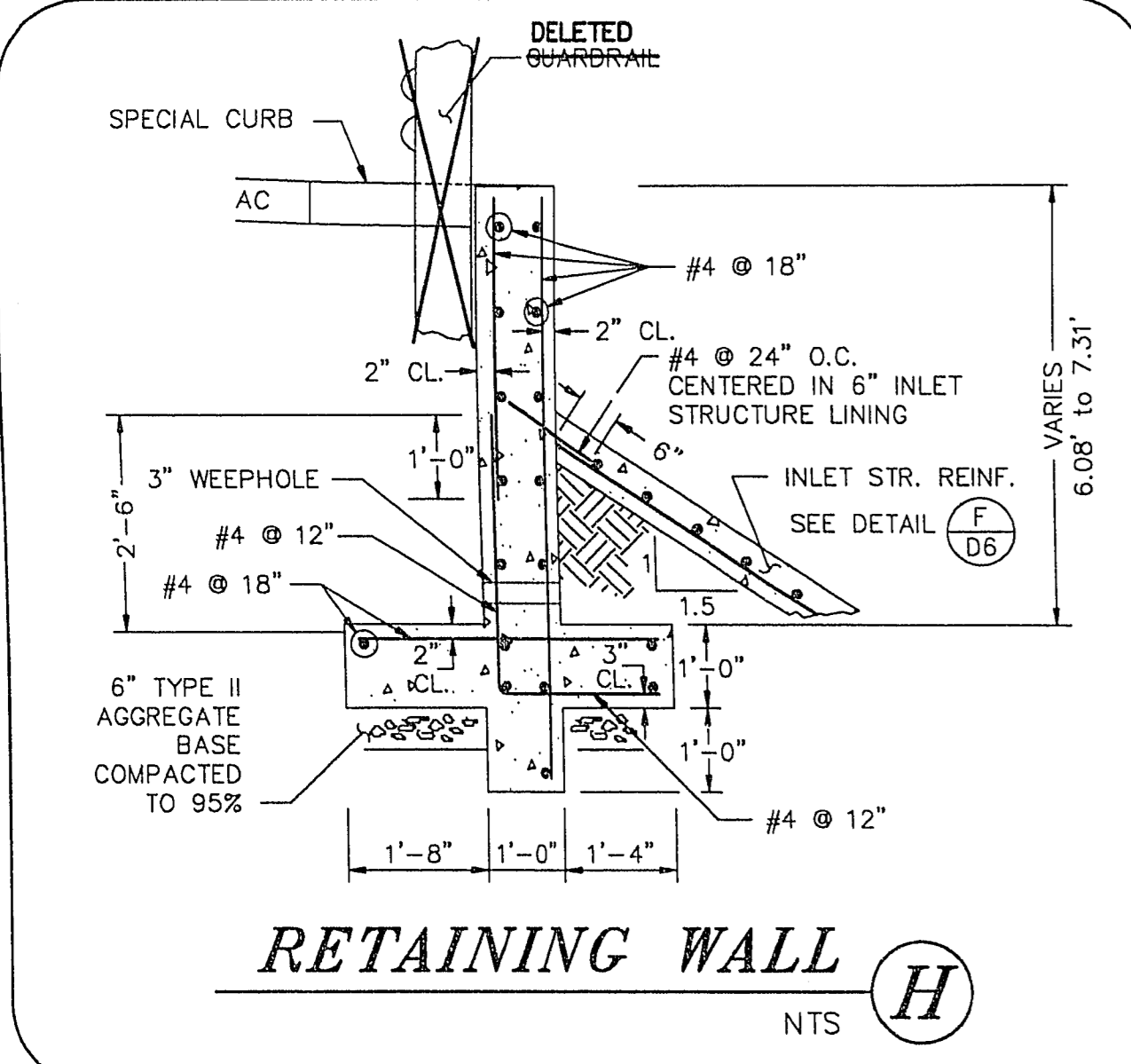
RETAINING WALL EXPANSION JOINT
1" = 2"



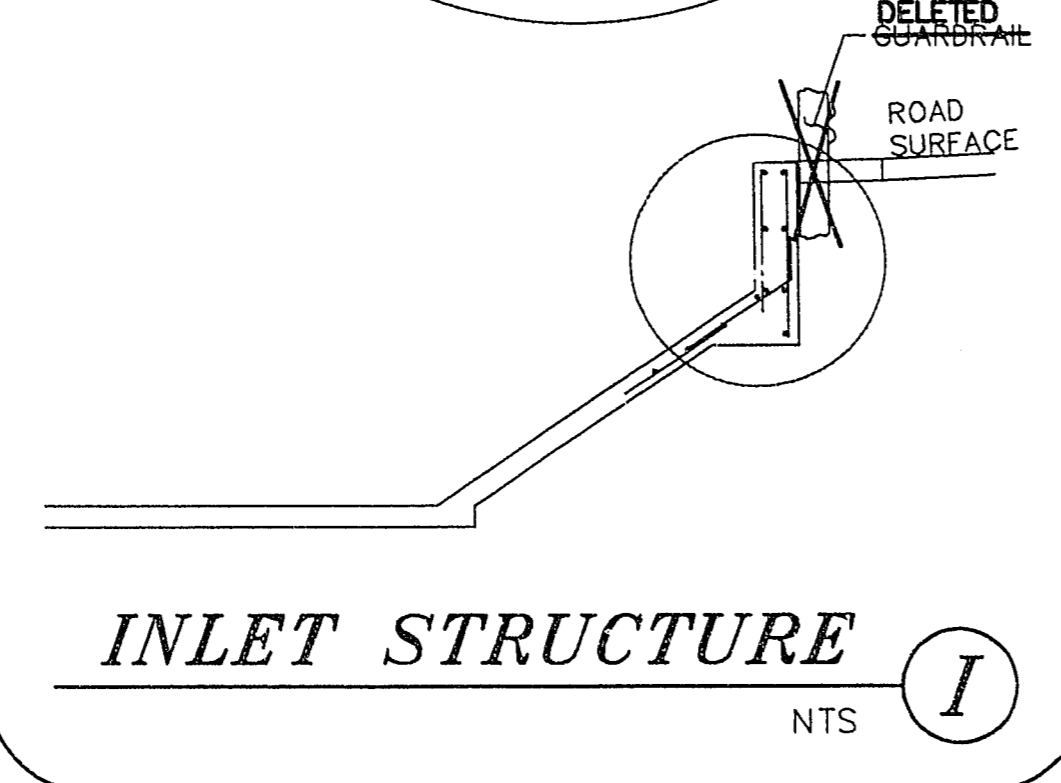
WEAKENED PLANE JOINT
NTS



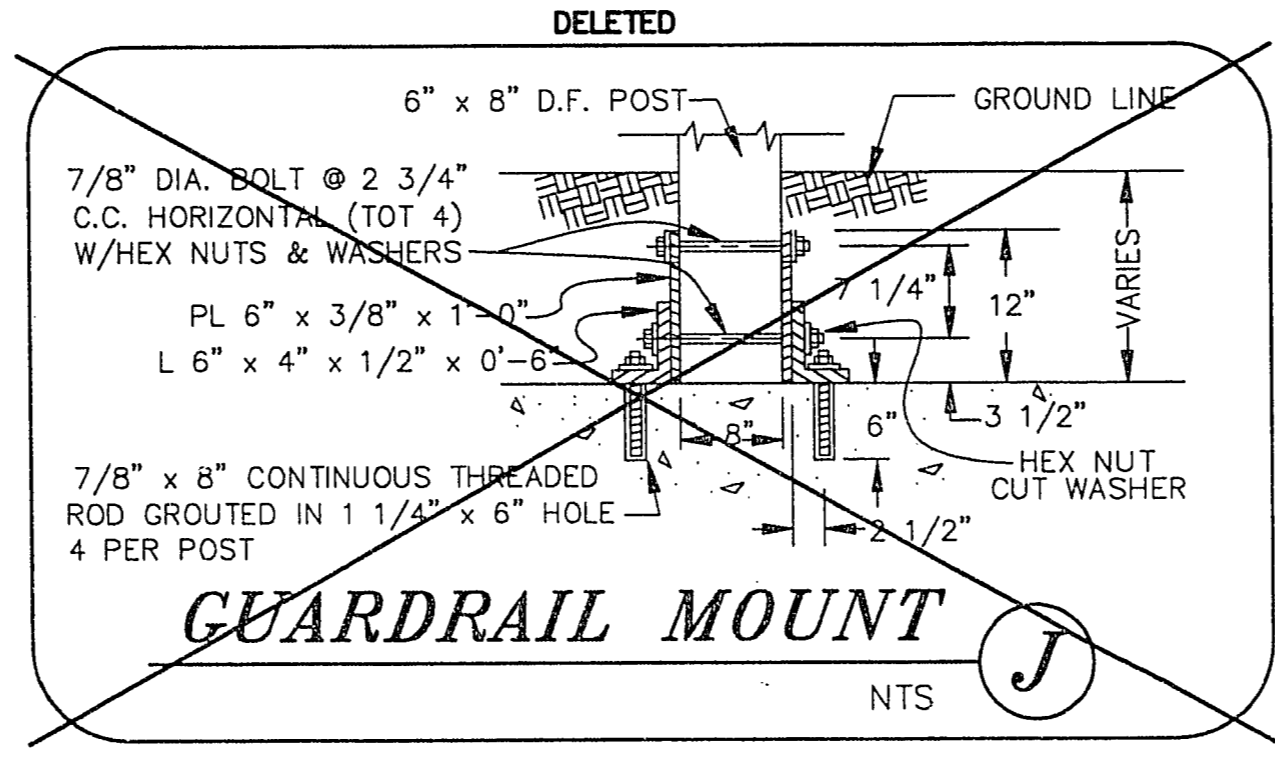
RETAINING WALL F
NTS



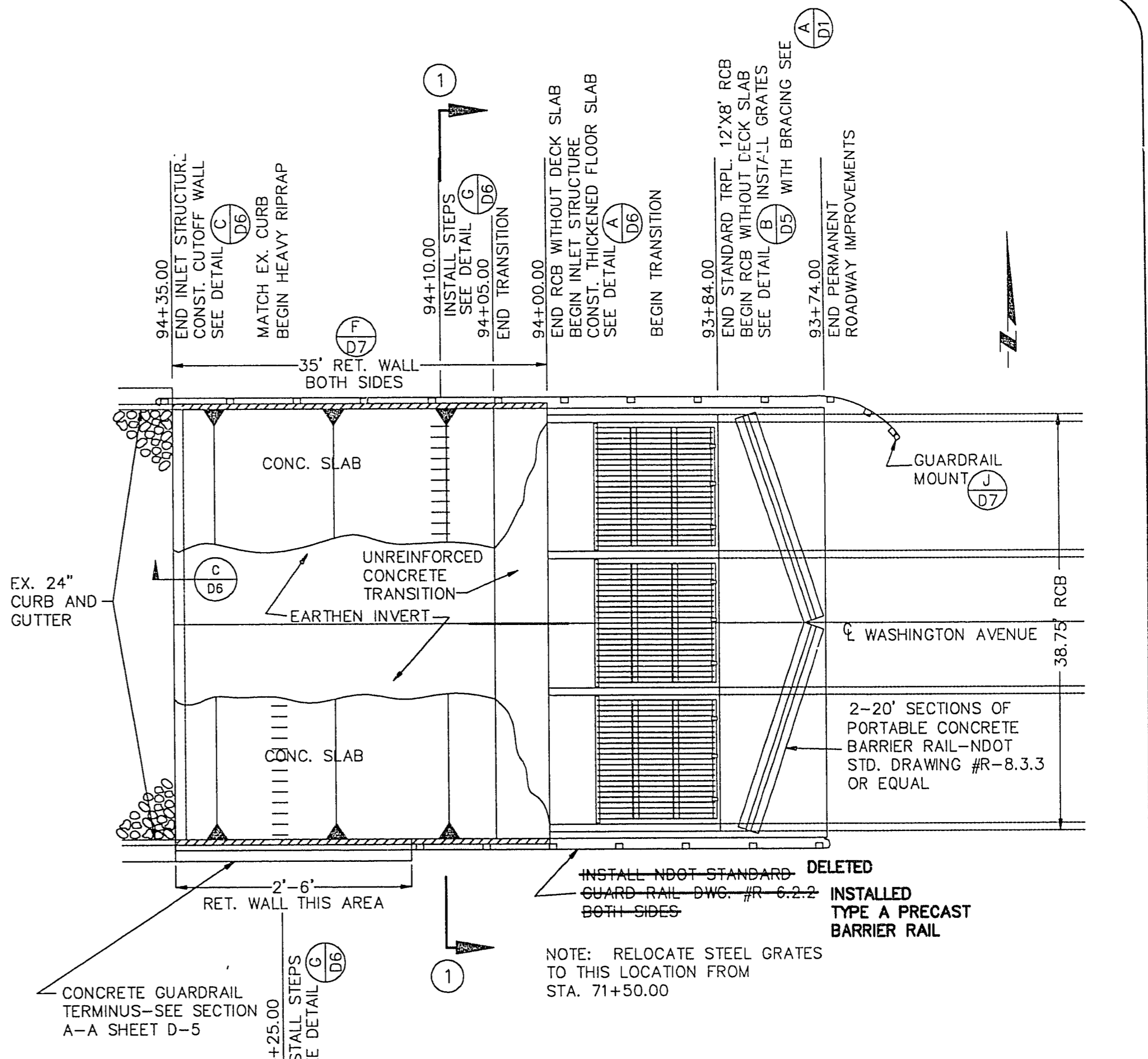
RETAINING WALL H
NTS



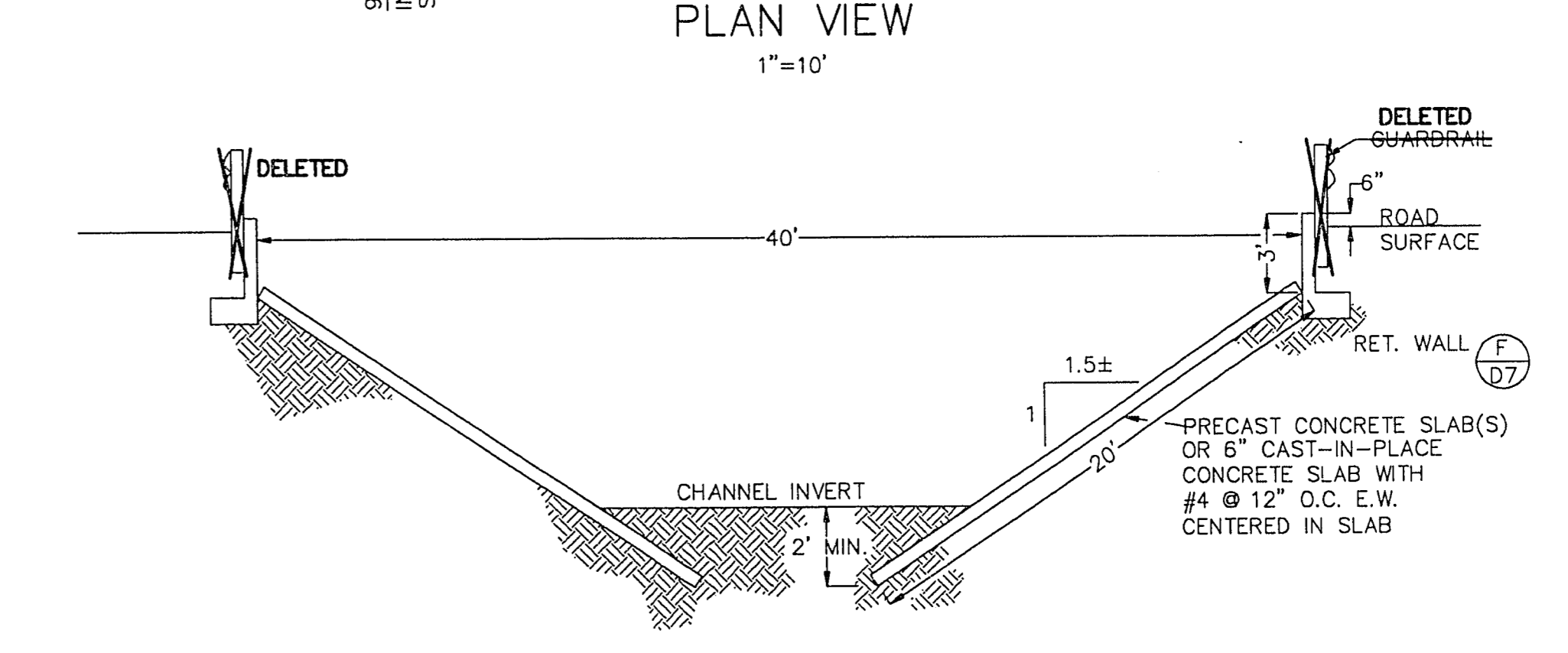
INLET STRUCTURE I
NTS



GUARDRAIL MOUNT J
NTS



PLAN VIEW
1" = 10'



SECTION 1-1
NO SCALE

INLET STRUCTURE ALTERNATIVE 2
AS NOTED

RECORD DRAWING
These Record Drawings have been prepared based on information provided by others. The Engineer has not verified the accuracy of such information and shall not be responsible for any errors or omissions which may be incorporated herein as a result.

Call before you Dig.
1-800-227-2600

REVISIONS

No.	Date	By	App'd

DESIGNED: BML/JHE
DRAWN: CKZ/M
CHECKED: JHC
JOB NO. 383-2-91
SCALE: AS NOTED
HORIZ. VERT.

1055 EAST TROPICANA
SUITE 800
LAS VEGAS, NEVADA 89119
(702) 798-1007
CONSULTING ENGINEERS

PROJECT: CITY OF LAS VEGAS
WASHINGTON AVENUE CONVEYANCE SYSTEM
DESCRIPTION: INLET STRUCTURE DETAILS

SHEET D-7
10 OF 23