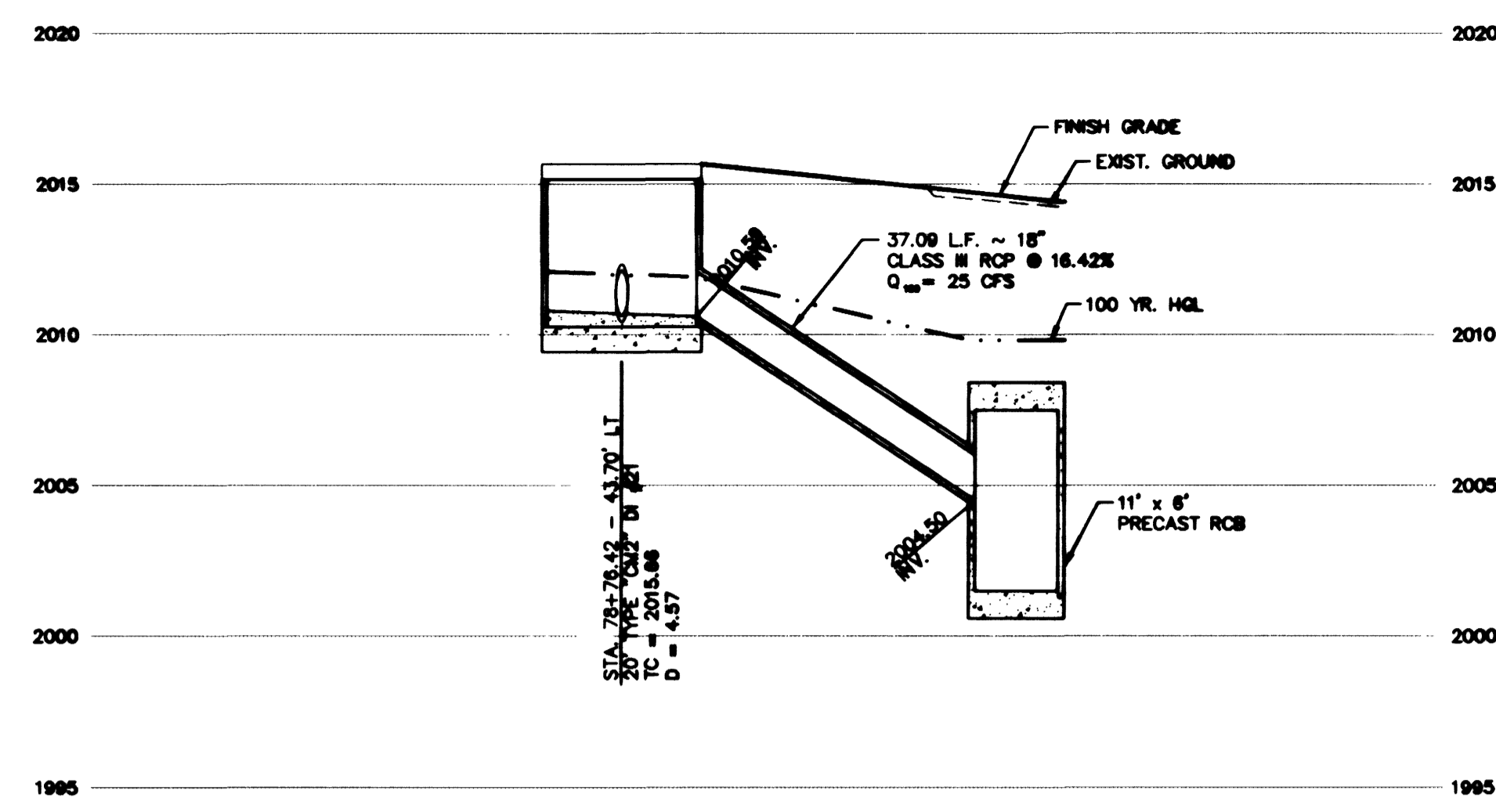
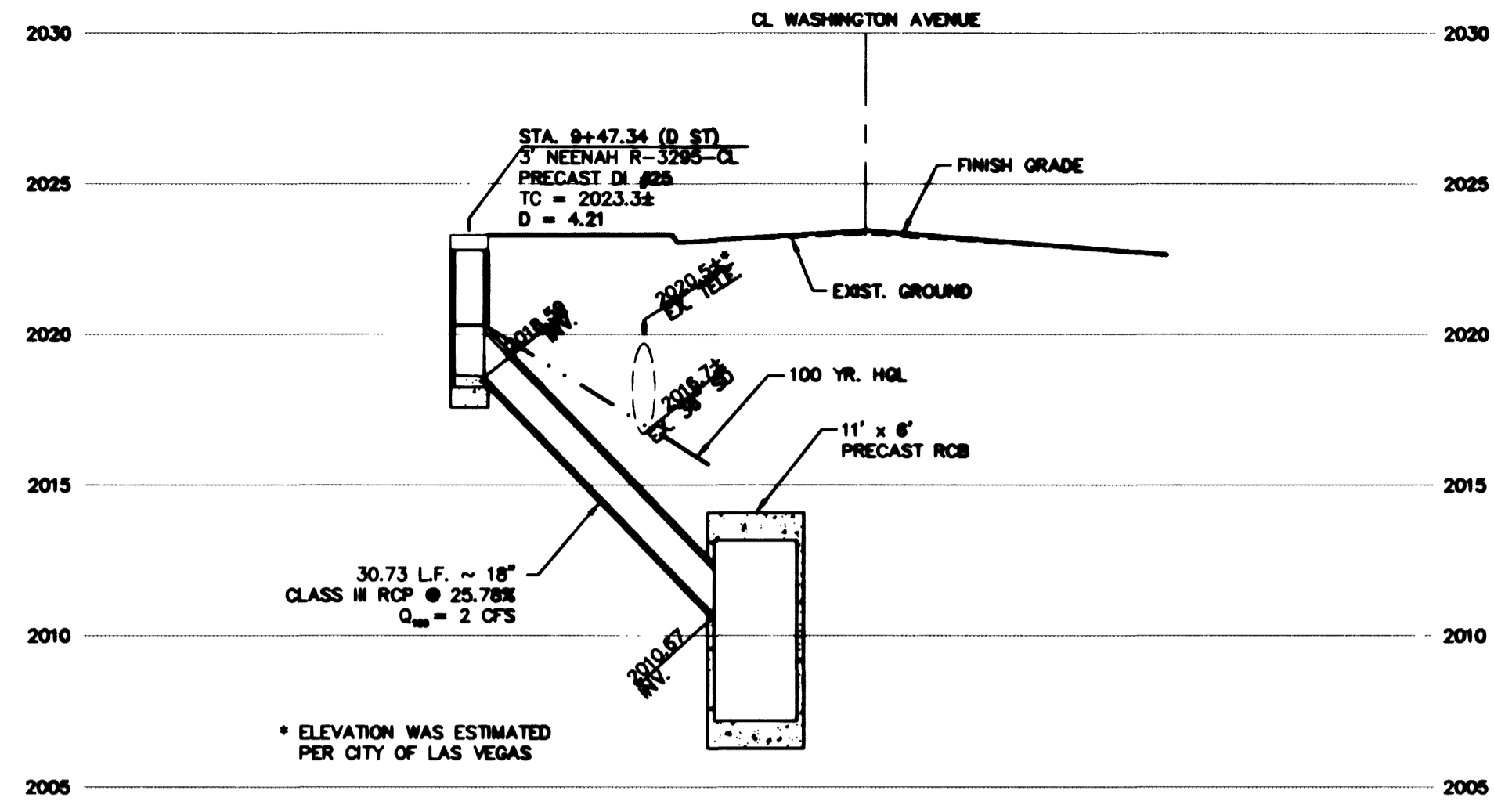


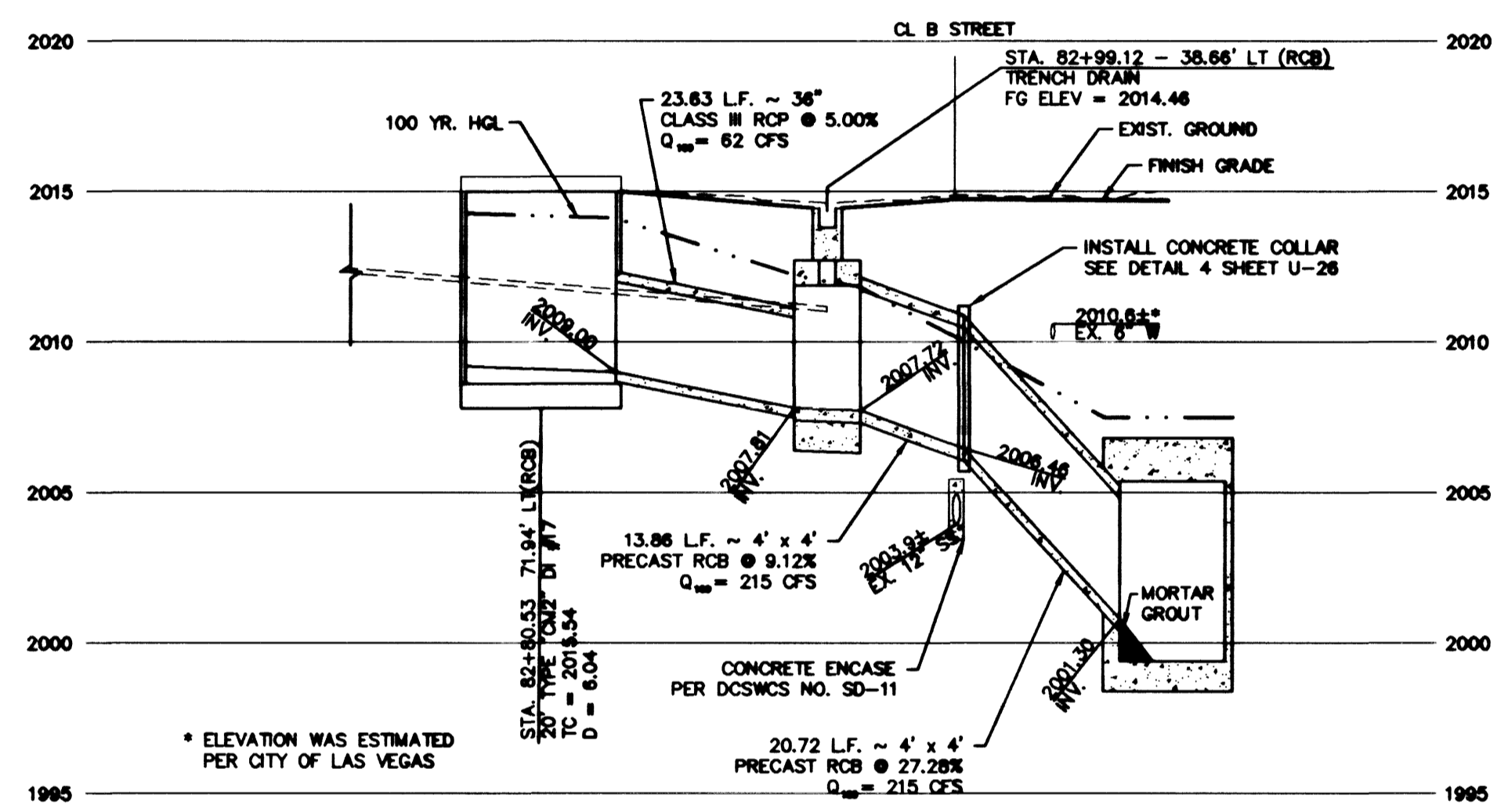
STA 83+14.12 - RCB
 STORM DRAIN LATERAL PROFILE
 SCALE: HORIZ. 1" = 20'
 VERT. 1" = 5'



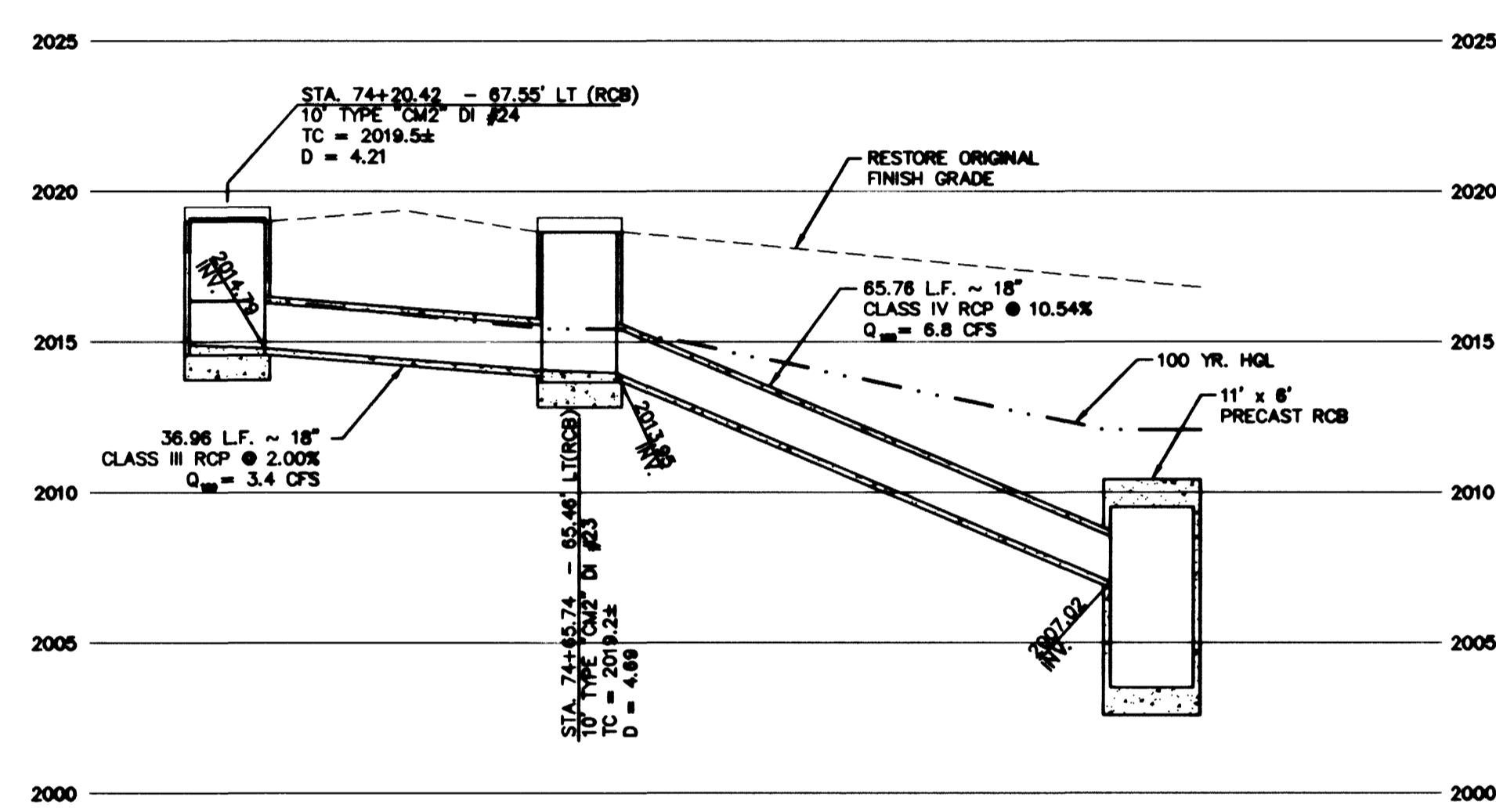
STA 79+02.85 - RCB
 STORM DRAIN LATERAL PROFILE
 SCALE: HORIZ. 1" = 20'
 VERT. 1" = 5'



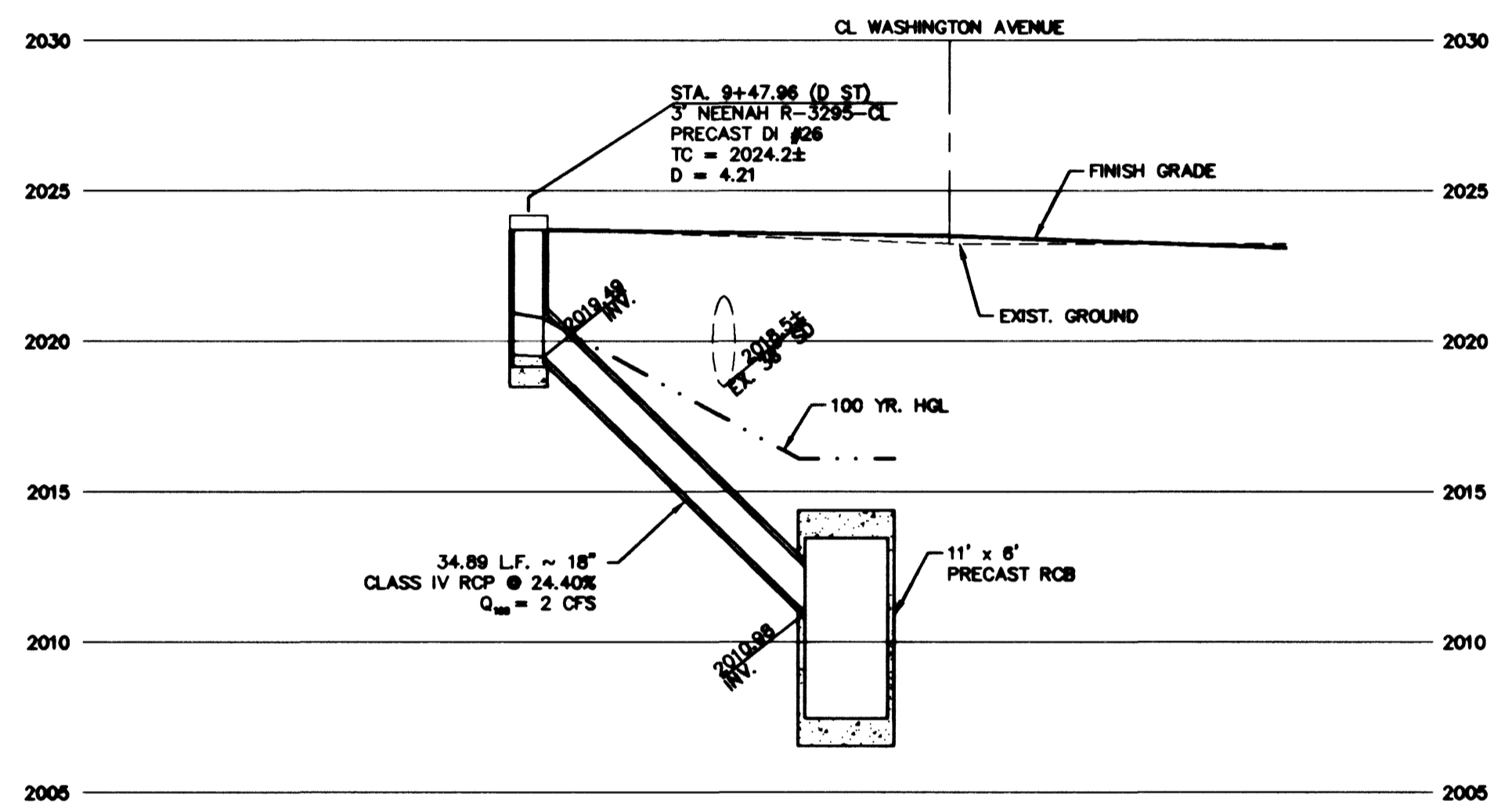
STA 51+39.05 - WASHINGTON AVE
 STORM DRAIN LATERAL PROFILE
 SCALE: HORIZ. 1" = 20'
 VERT. 1" = 5'



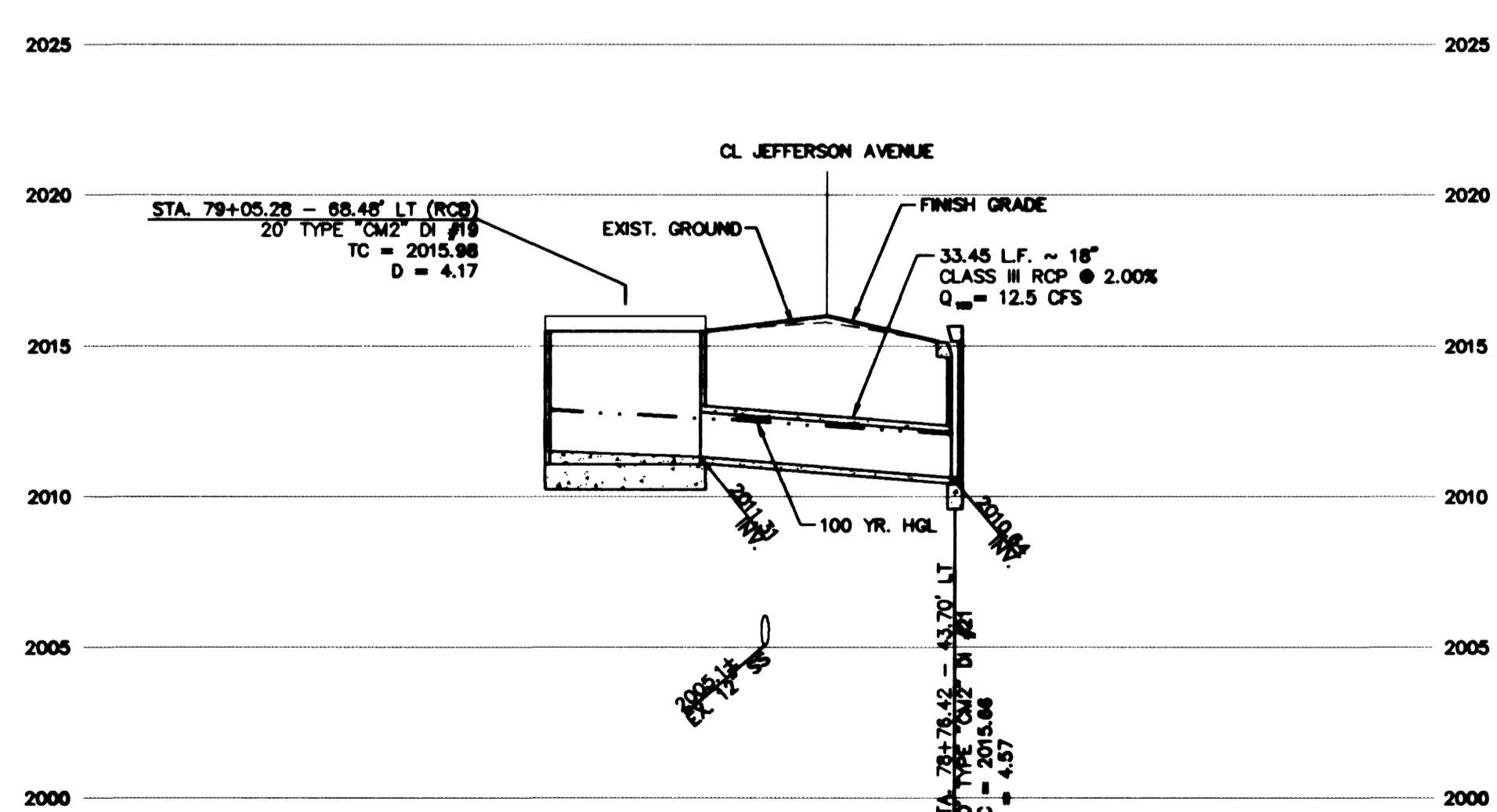
STA 83+14.12 - RCB
 STORM DRAIN LATERAL PROFILE
 SCALE: HORIZ. 1" = 20'
 VERT. 1" = 5'



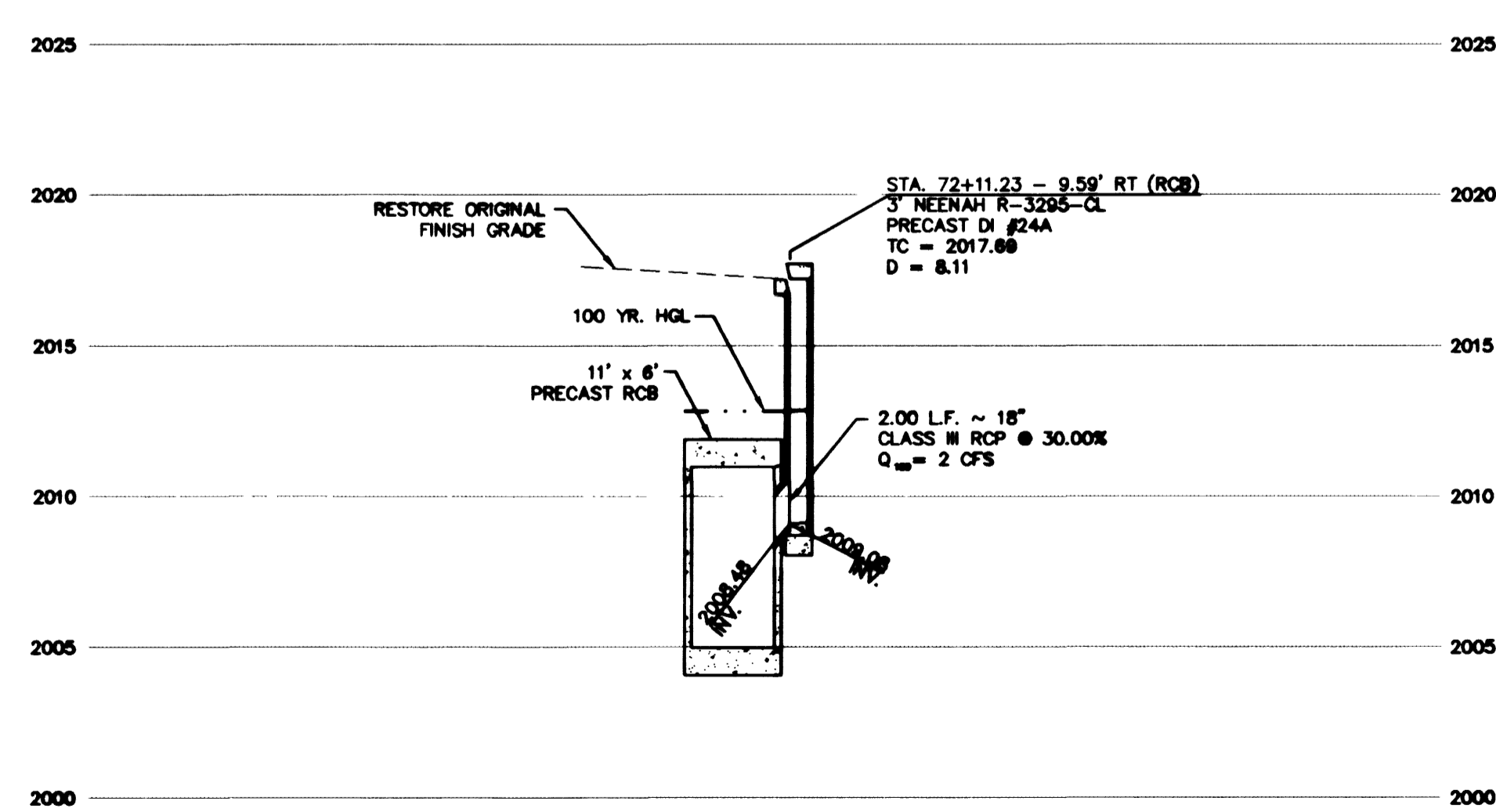
STA 75+02.10 - RCB
 STORM DRAIN LATERAL PROFILE
 SCALE: HORIZ. 1" = 20'
 VERT. 1" = 5'



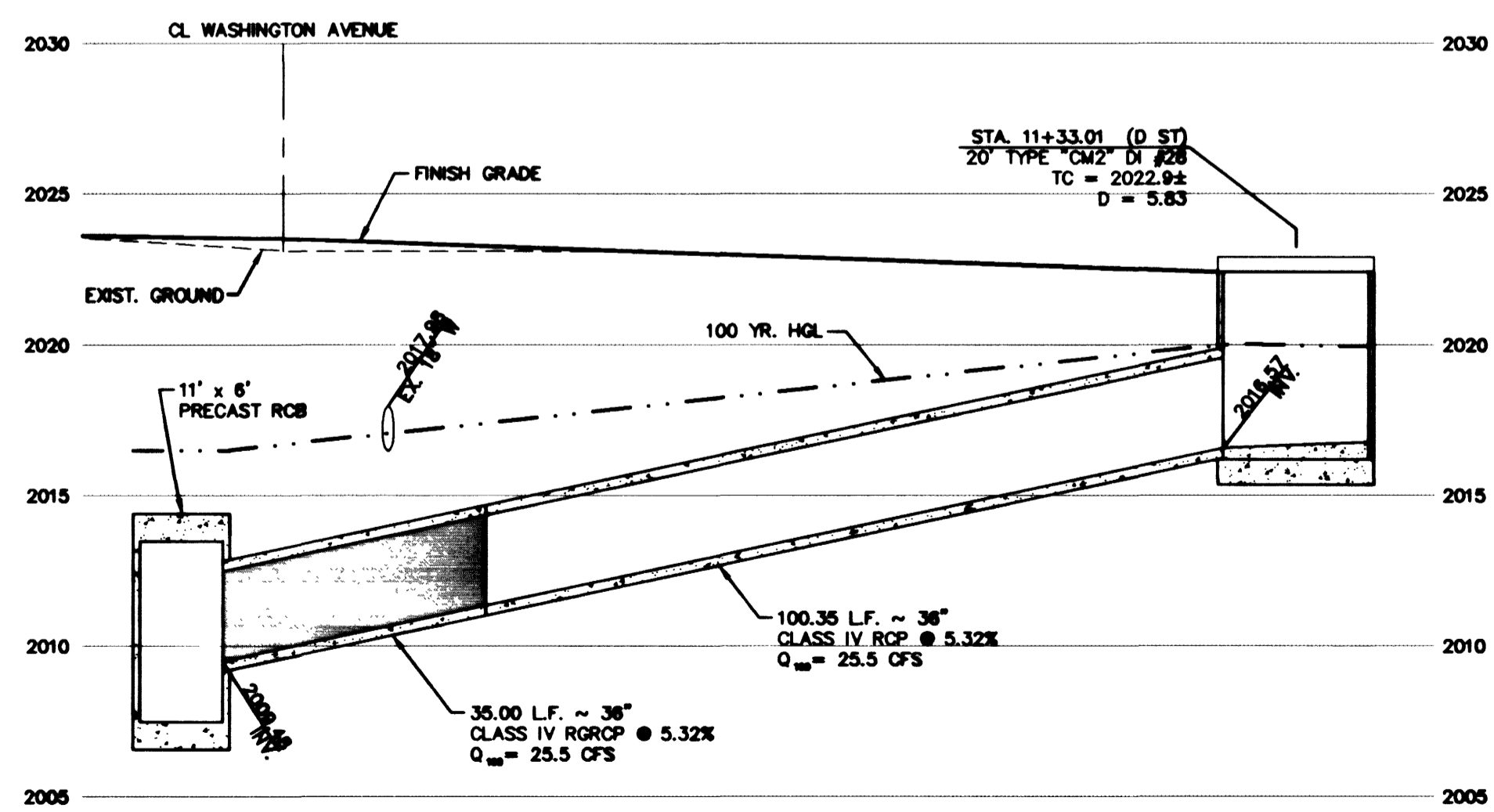
STA 50+91.33 - WASHINGTON AVE
 STORM DRAIN LATERAL PROFILE
 SCALE: HORIZ. 1" = 20'
 VERT. 1" = 5'



STA 79+01.68 - RCB
 STORM DRAIN LATERAL PROFILE
 SCALE: HORIZ. 1" = 20'
 VERT. 1" = 5'



STA 72+12.58 - RCB
 STORM DRAIN LATERAL PROFILE
 SCALE: HORIZ. 1" = 20'
 VERT. 1" = 5'

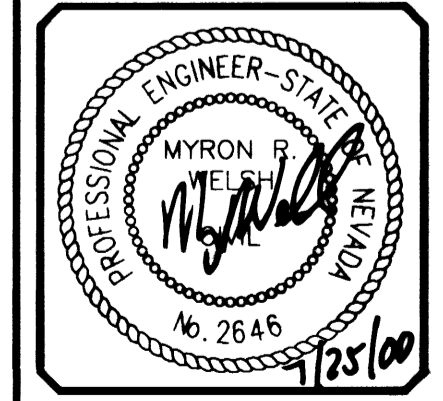


STA 50+91.51 - WASHINGTON AVE
 STORM DRAIN LATERAL PROFILE
 SCALE: HORIZ. 1" = 20'
 VERT. 1" = 5'

DATE: 02/10/00	NO. DESCRIPTION	DATE	APP'D
DESIGNED BY: J.L.B.T.			
CHECKED BY: J.L.B.T.			
AD. CHECKED BY: J.L.B.T.			
JOB NO.: 0133.0141			
SCALE: AS SHOWN			

PENTACORE
 CIVIL ENGINEERING • LAND SURVEYING • PLANNING
 CONSTRUCTION MANAGEMENT • ADA CONSULTING
 6793 WEST CHARLESTON BOULEVARD
 LAS VEGAS, NEVADA 89146 (702)258-0115

CITY OF LAS VEGAS
 WASHINGTON AVENUE
 STORM DRAIN LATERAL PROFILES - 4



SHEET 43
U-12
 OF 58

DWG. NO. 107-V3119

G:\0133\0140\New\dwgs\Utility\SD\Lat-4.dwg Mon Jul 24 16:19:07 2000 RAT

26613

Bonnie
 LAS VEGAS VALLEY WATER DISTRICT
 DATE 8-17-00