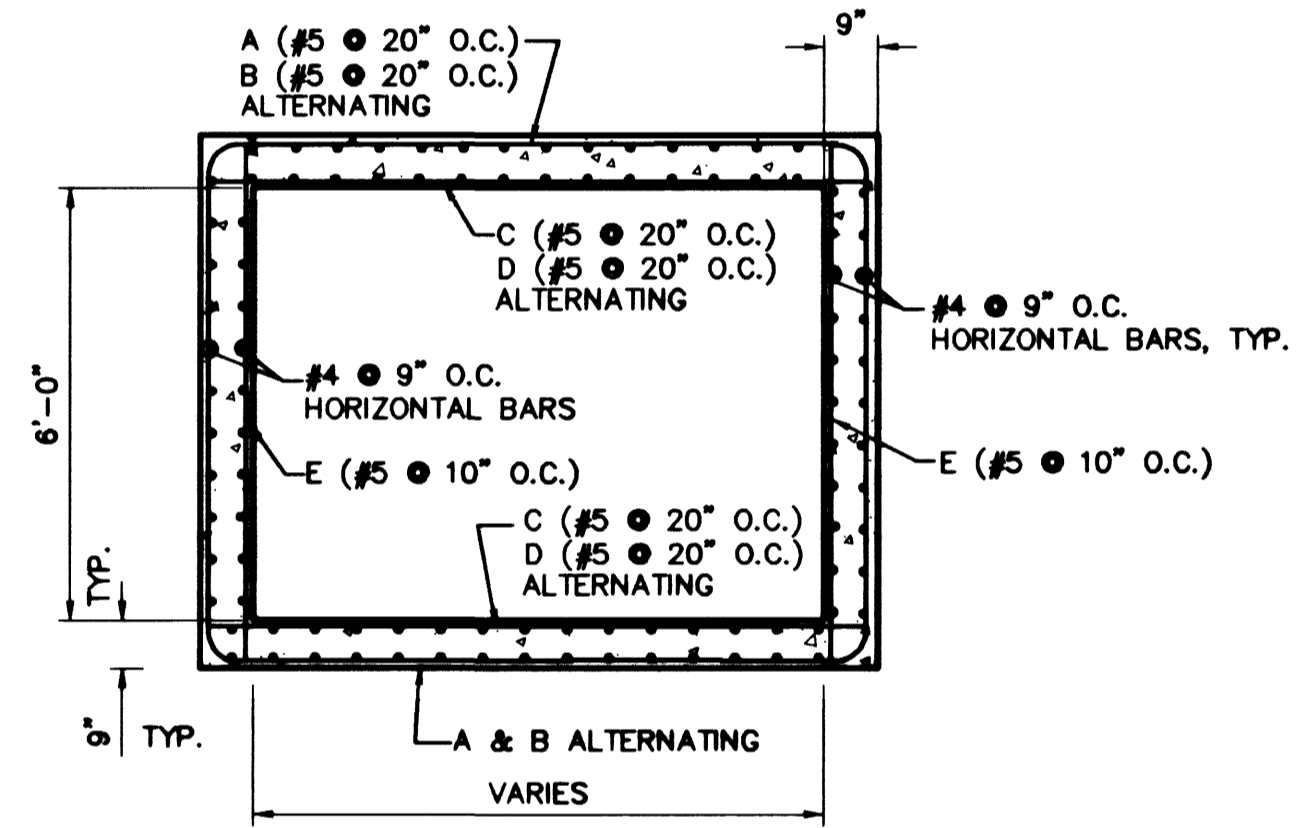
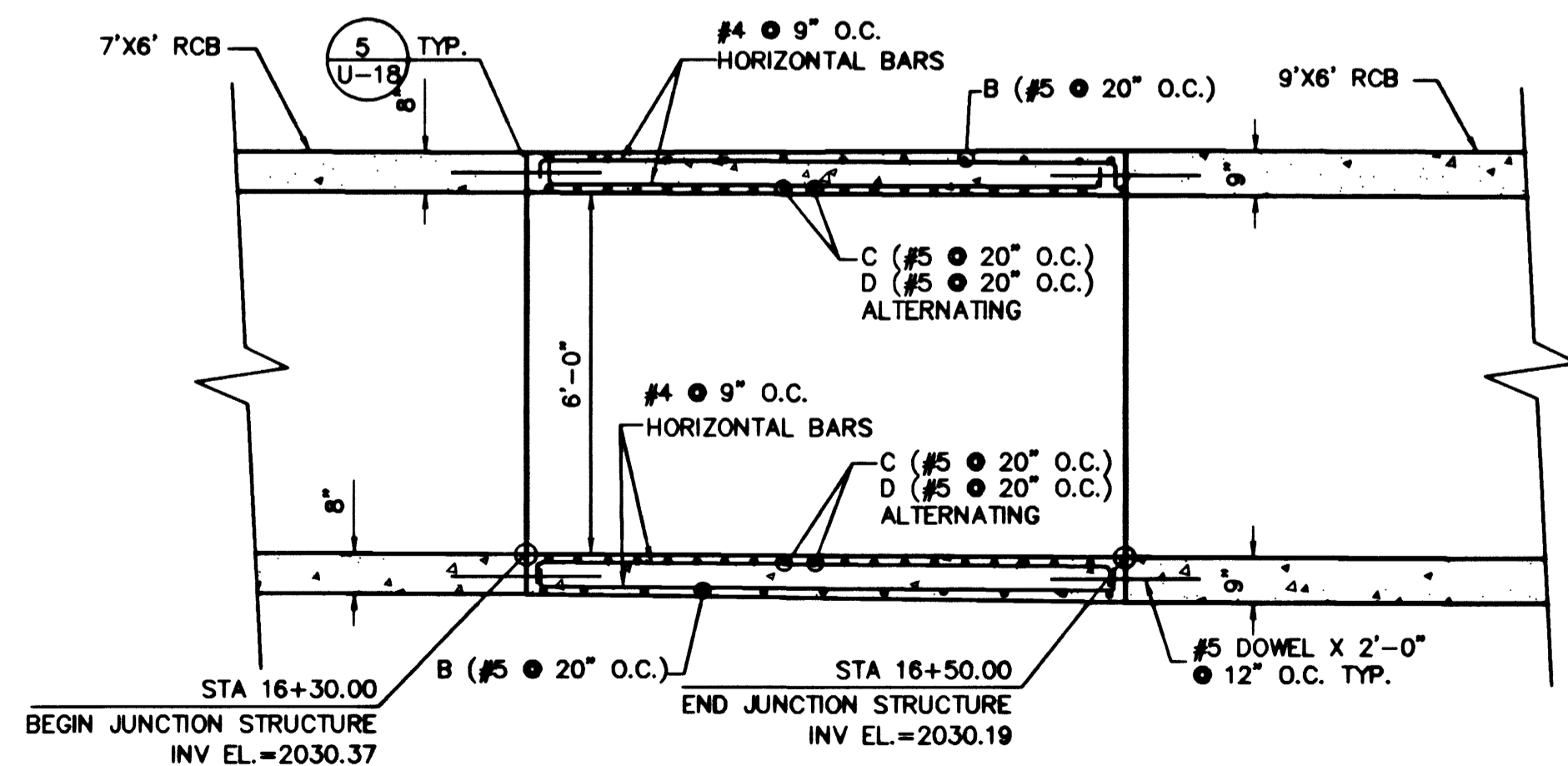


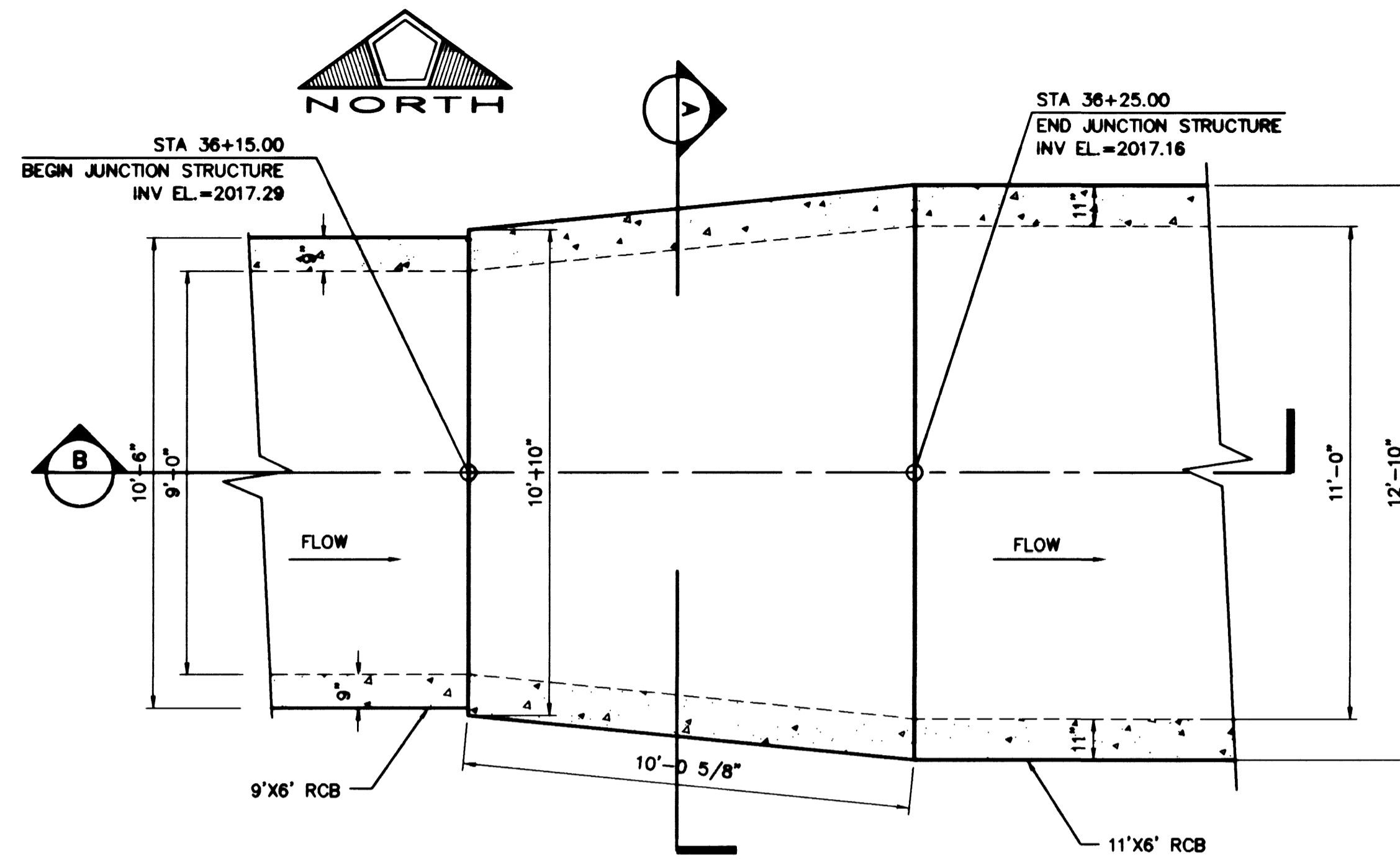
PLAN 7' to 9'
SCALE: 3/8" = 1'-0"



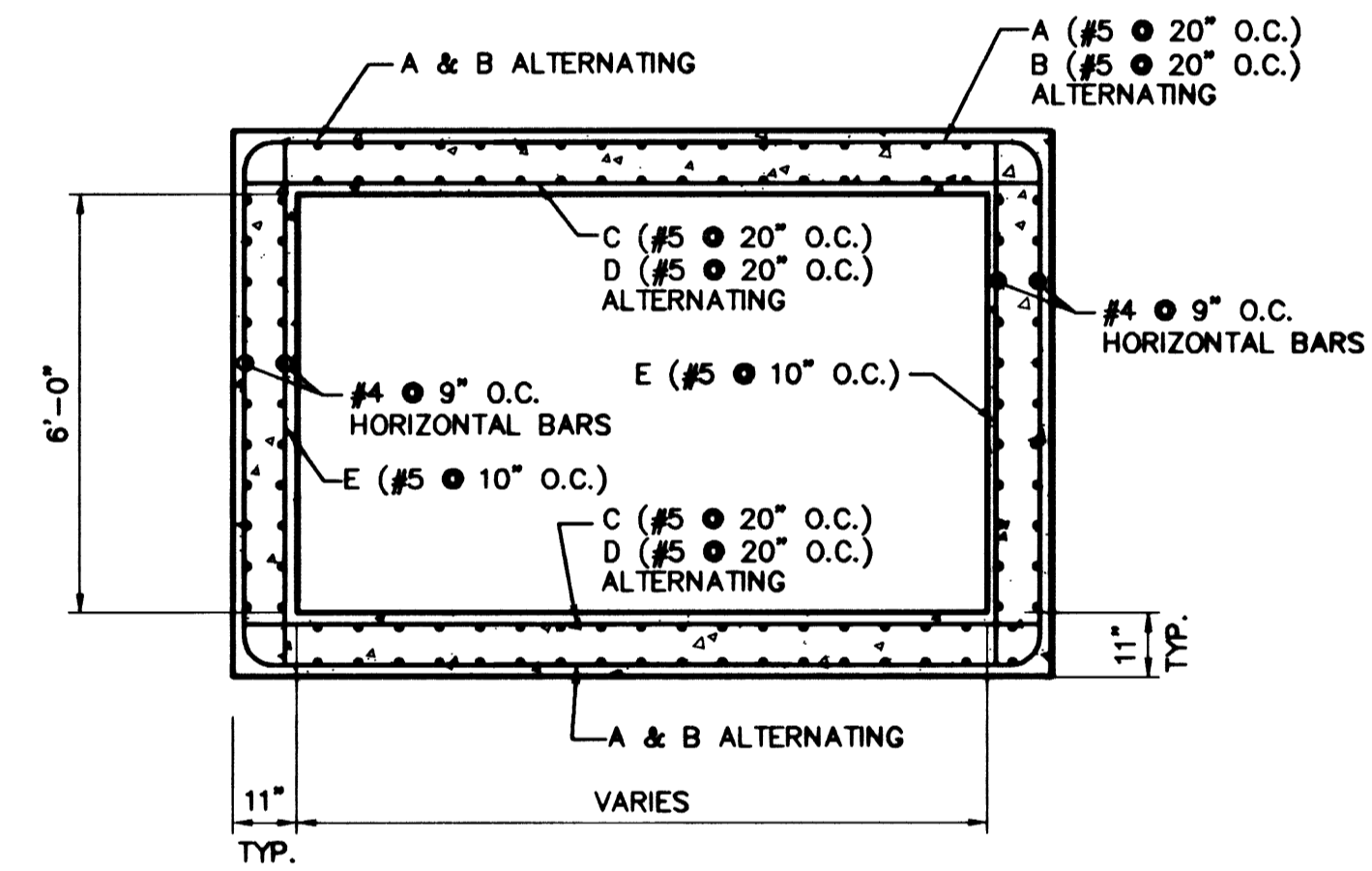
SECTION A
SCALE: 3/8" = 1'-0"



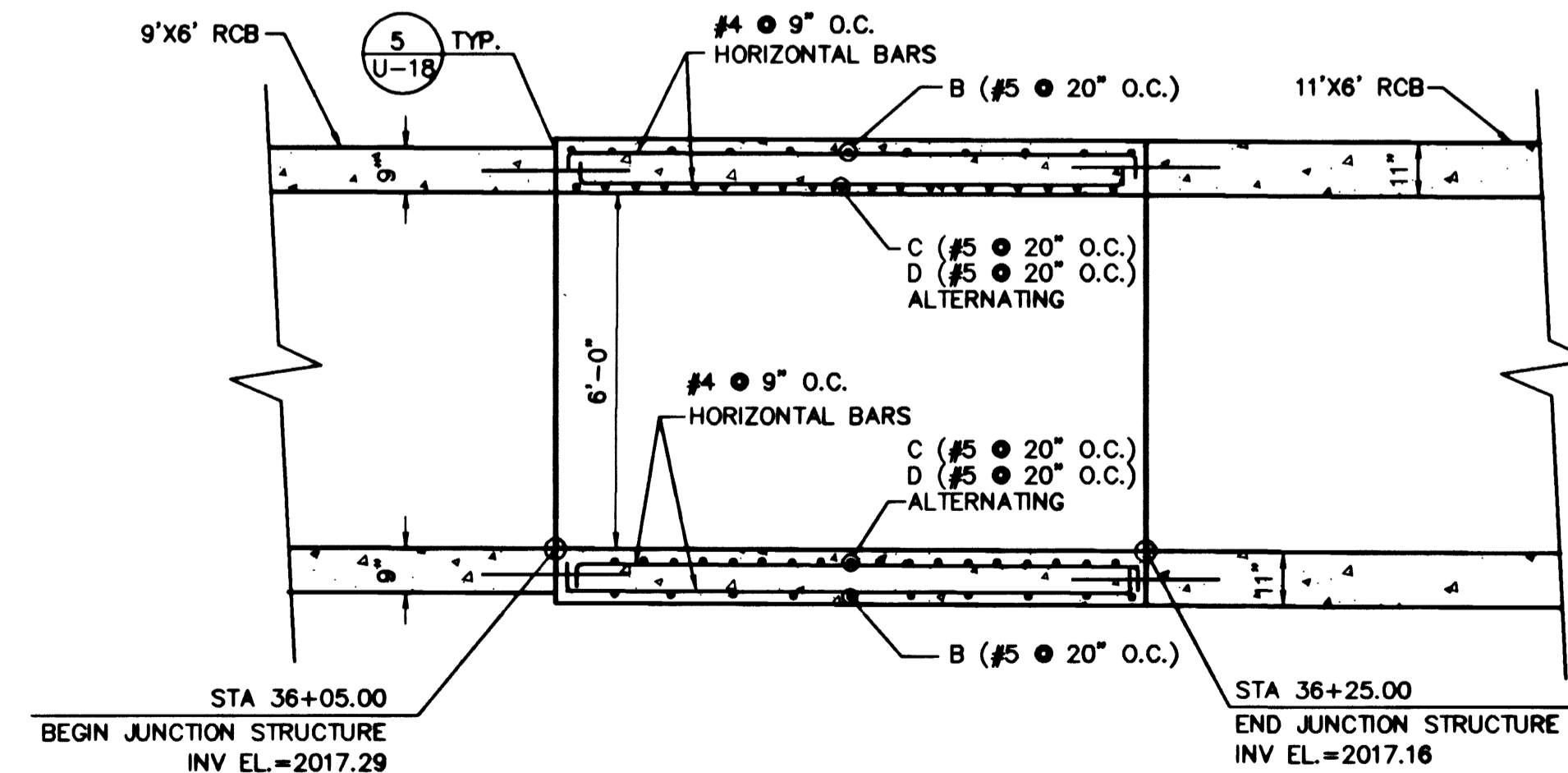
SECTION B
SCALE: 3/8" = 1'-0"



PLAN 9' to 11'
SCALE: 3/8" = 1'-0"



SECTION A
SCALE: 3/8" = 1'-0"



SECTION B
SCALE: 3/8" = 1'-0"

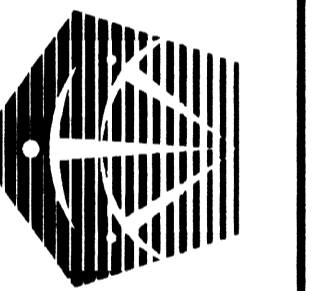
Avoid cutting underground utility lines. It's costly.

Call before you Dig

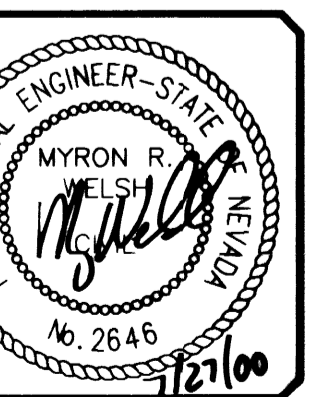
1-800-227-2600

DATE: 02/19/08	TIME: JR, LWT	DESIGNED BY: J.B.T.	CHECKED BY: J.B.T.	JOB NO.: 0133.0141	SCALE: AS SHOWN
NO.	DESCRIPTION	DATE	APPD		

PENTACORE
CIVIL ENGINEERING • LAND SURVEYING • PLANNING
CONSTRUCTION MANAGEMENT • ADA CONSULTING
6783 WEST CHARLESTON BOULEVARD
LAS VEGAS, NEVADA 89102 (702)268-0115



CITY OF LAS VEGAS
WASHINGTON AVENUE
JUNCTION STRUCTURE
STA 16+30 AND STA 36+05 WASHINGTON



SHEET 55
U-24
OF 58

DWG. NO. 107-V3110

20521

G:\0133\0140\New.dwg U:\Utility\U-24.dwg Mon Jul 24 16:53:01 2008 RMT

G:\0133\0140\NEW\MS\ROADWAY\DETAILS.DWG