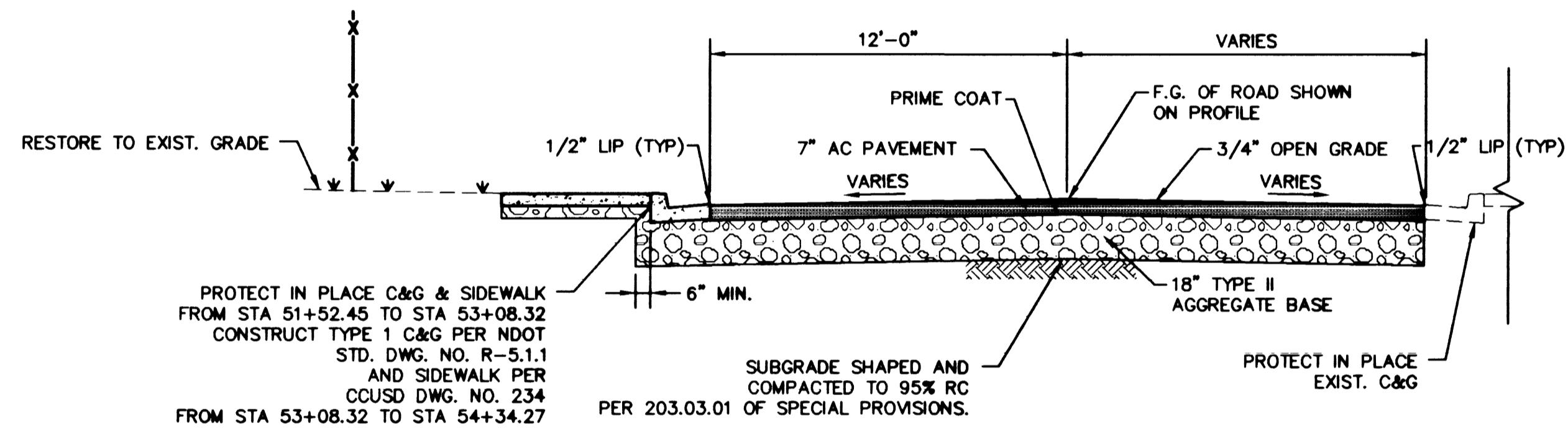


WASHINGTON AVENUE STA 36+66.52 TO STA 51+52.45 ①

LOOKING EAST
SCALE: N.T.S.

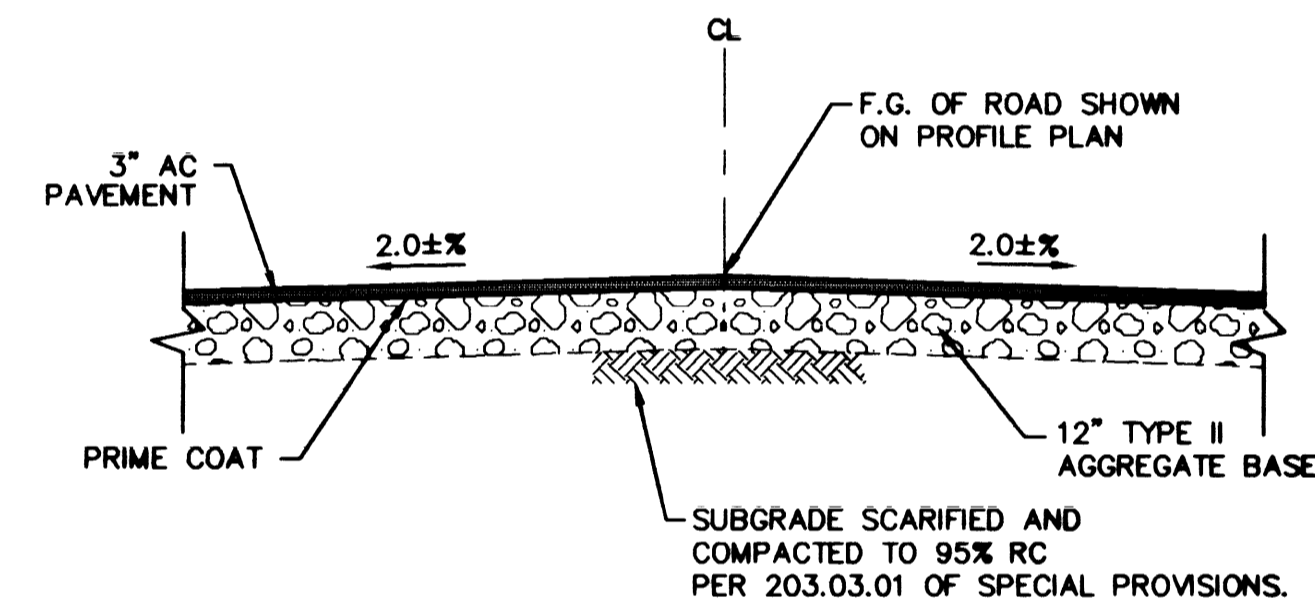
NOTE: PROFILE GRADE VARIES FROM ROADWAY CENTERLINE. SEE PLAN AND PROFILE SHEETS FOR CONSTRUCTION CENTERLINE LOCATION.

* FROM STA 48+70 TO 51+52.45, THE SUBGRADE SHALL BE SHAPED AND COMPACTED TO 95% RC PER 203.03.01 OF THE SPECIAL PROVISIONS. PRIME COAT SHALL BE APPLIED



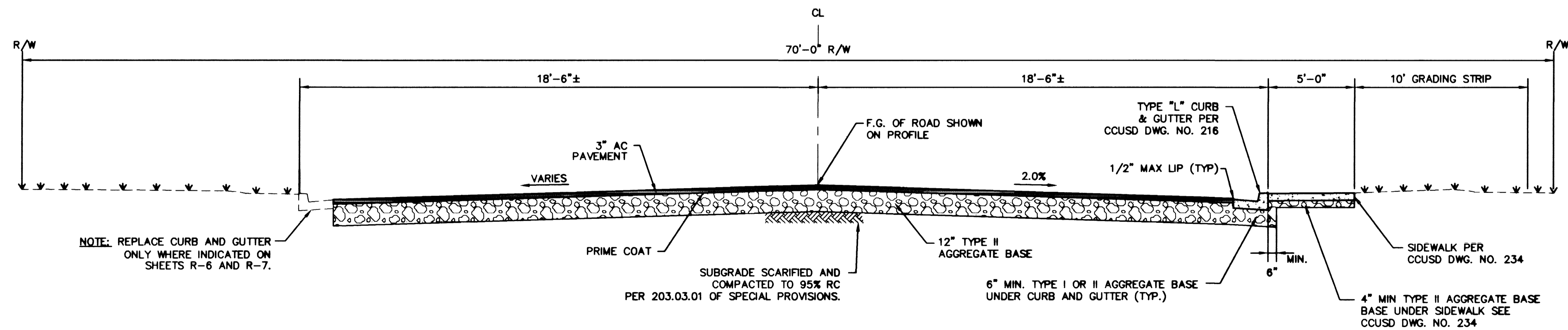
WASHINGTON AVENUE STA 51+52.45 TO STA 54+34.27 ②

LOOKING EAST
SCALE: N.T.S.



JEFFERSON AVE, MADISON AVE, MONROE AVE, JACKSON AVE AND VAN BUREN AVE ③

LOOKING EAST
SCALE: N.T.S.

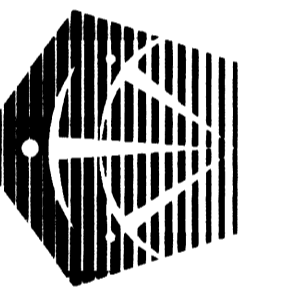


B STREET ④

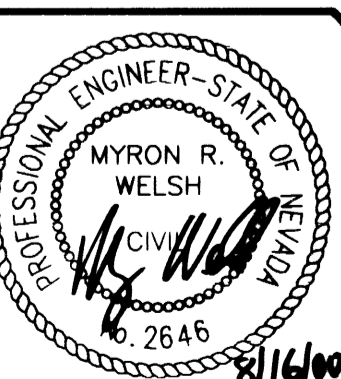
LOOKING NORTH
SCALE: N.T.S.

DATE: 02/19/08	MMBET	NO. DESCRIPTION
PM: JRL/WTA	DESIGNED BY: JLB	
	CHECKED BY: JLB	
	JOB NO.: 0133.0141	
	SCALE: NONE	

PENTACORE
CIVIL ENGINEERING • LAND SURVEYING • PLANNING
CONSTRUCTION MANAGEMENT • ADA CONSULTING
LAS VEGAS, NEVADA 89102 (702)268-0115



CITY OF LAS VEGAS
WASHINGTON AVENUE
TYPICAL SECTIONS - 2



SHEET 7
X-2
OF 59

DWG. NO. 107-V3110

C:\0133\0140\NEWWORKS\ROADWAY\SECTIONS2.DWG

26479