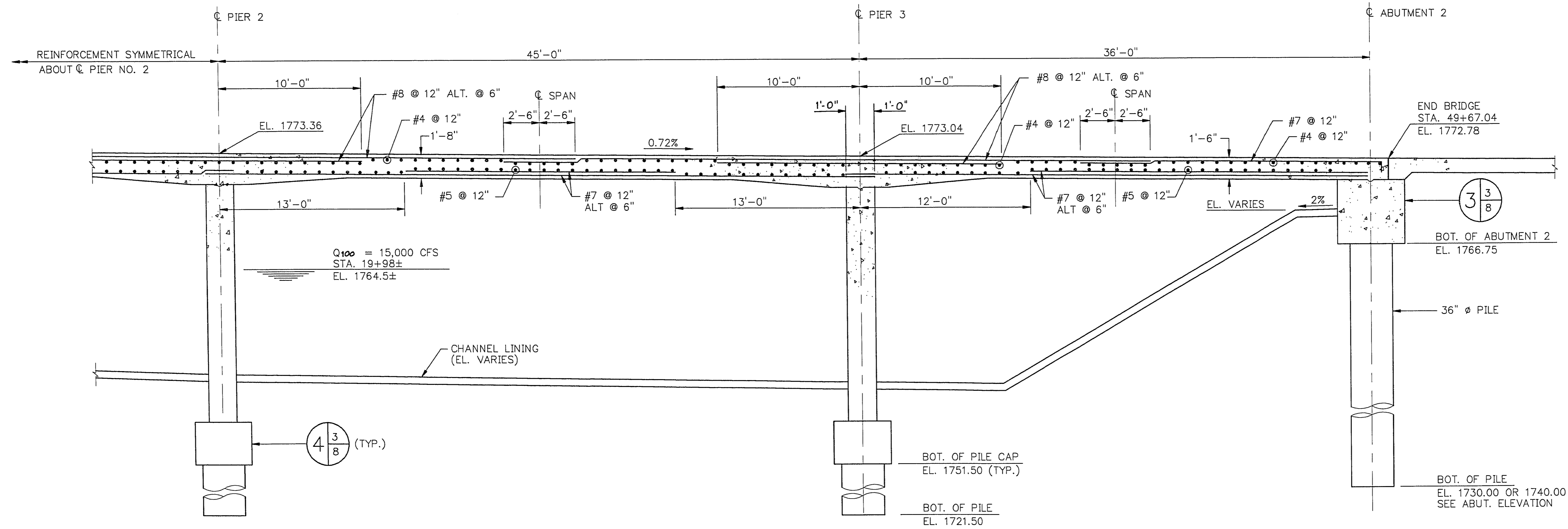


SECTION ALONG WASHINGTON AVE.



SECTION ALONG WASHINGTON AVE.

DATE	
REVISIONS	
DESIGNED BY: PRS	SCALE: 1/4" = 1'-0"
APPROVED BY: PRS	HORIZ. 1/4" = 1'-0"
PROJECT NO. 43007	VERT. 1/4" = 1'-0"
DATE: NOV. 9, 1992	
URS CONSULTANTS, INC. Las Vegas, Nevada	
DEPARTMENT OF PUBLIC WORKS WASHINGTON AVENUE ROADWAY PROJECT	
BRIDGE TYPICAL SECTION	
DRAWING NO. 107-V1982	B/3

URS/MARP-B03.dwg/11-17-92/gpr