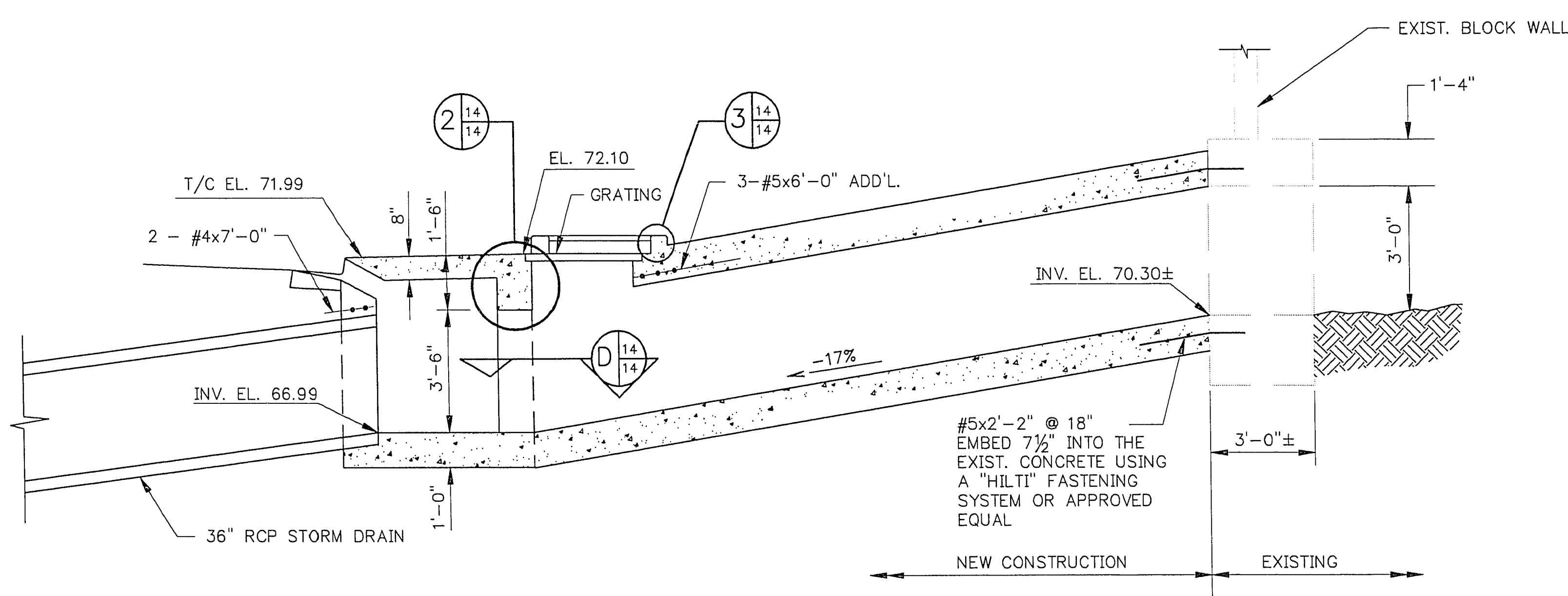
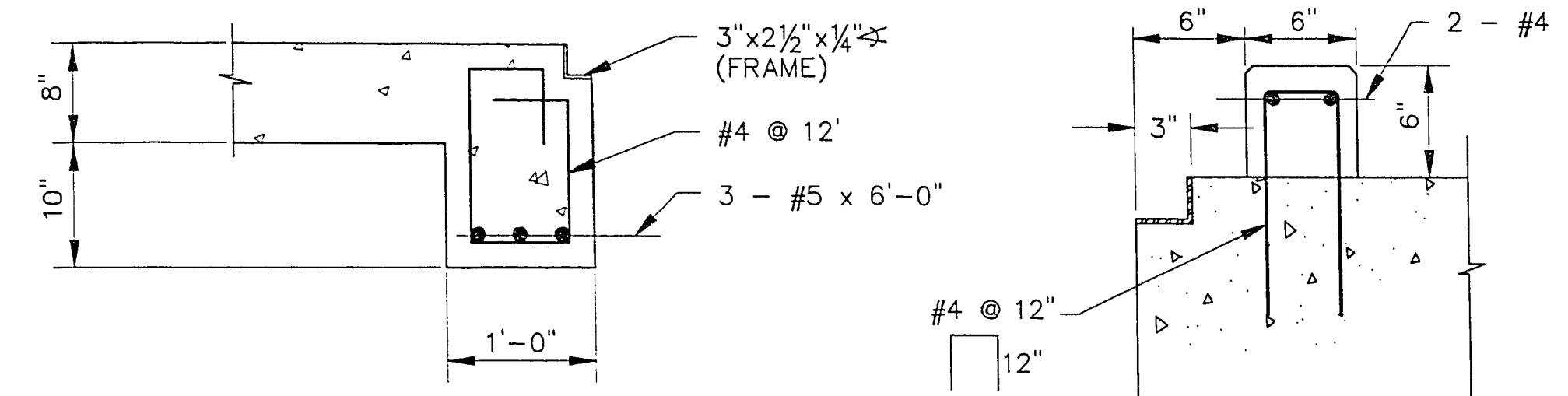


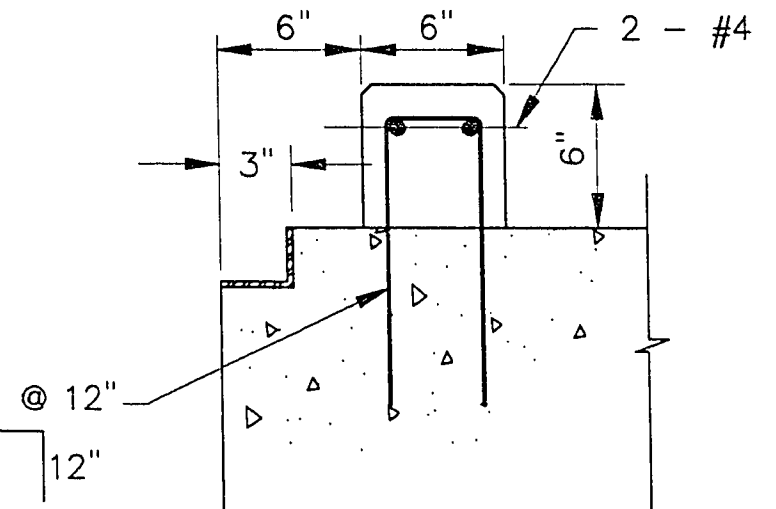
1 **BOREGA CHANNEL INTERCEPTOR**
SCALE: 3/8" = 1'-0"



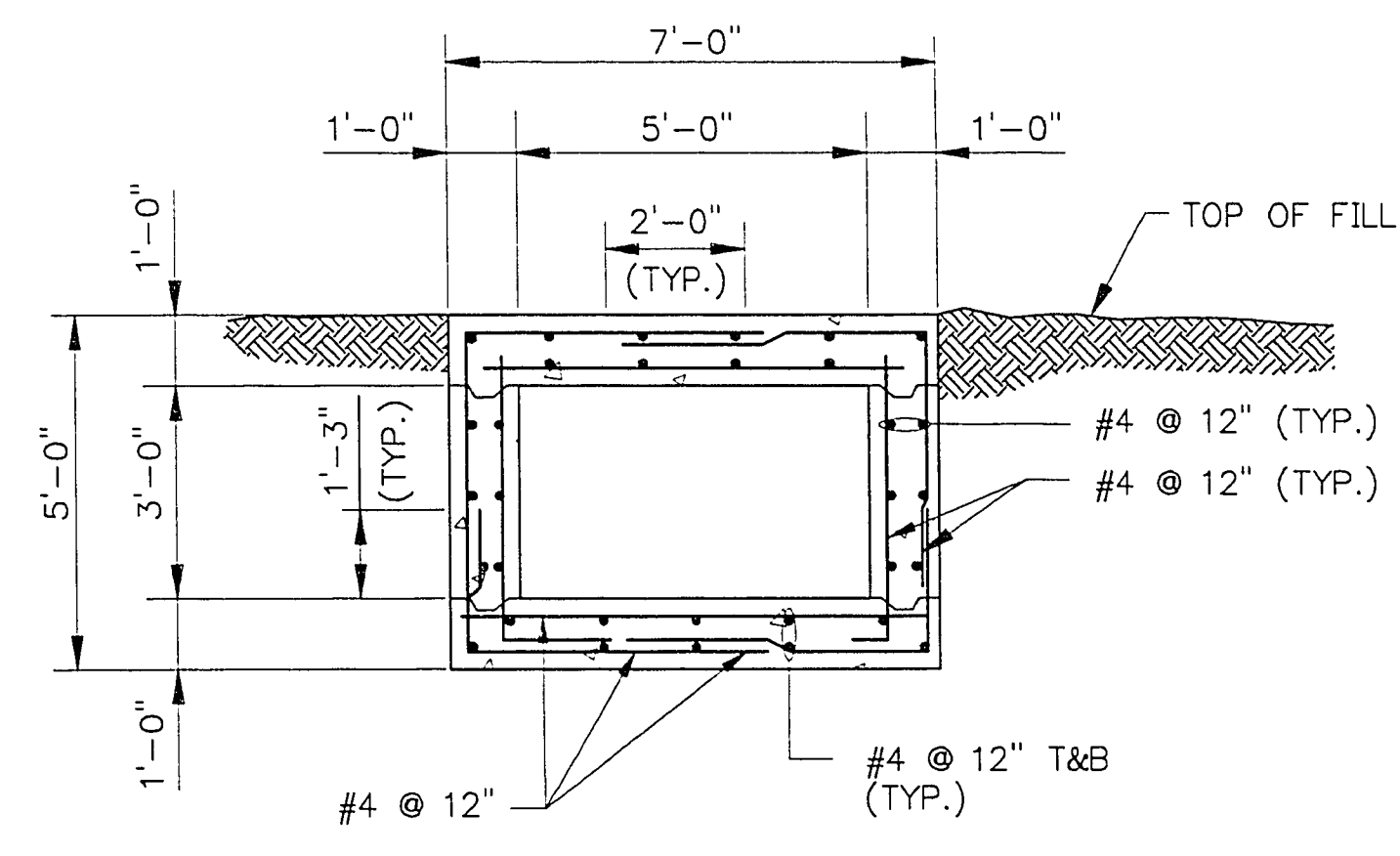
A **BOREGA CHANNEL - SECTION**
SCALE: 3/8" = 1'-0"



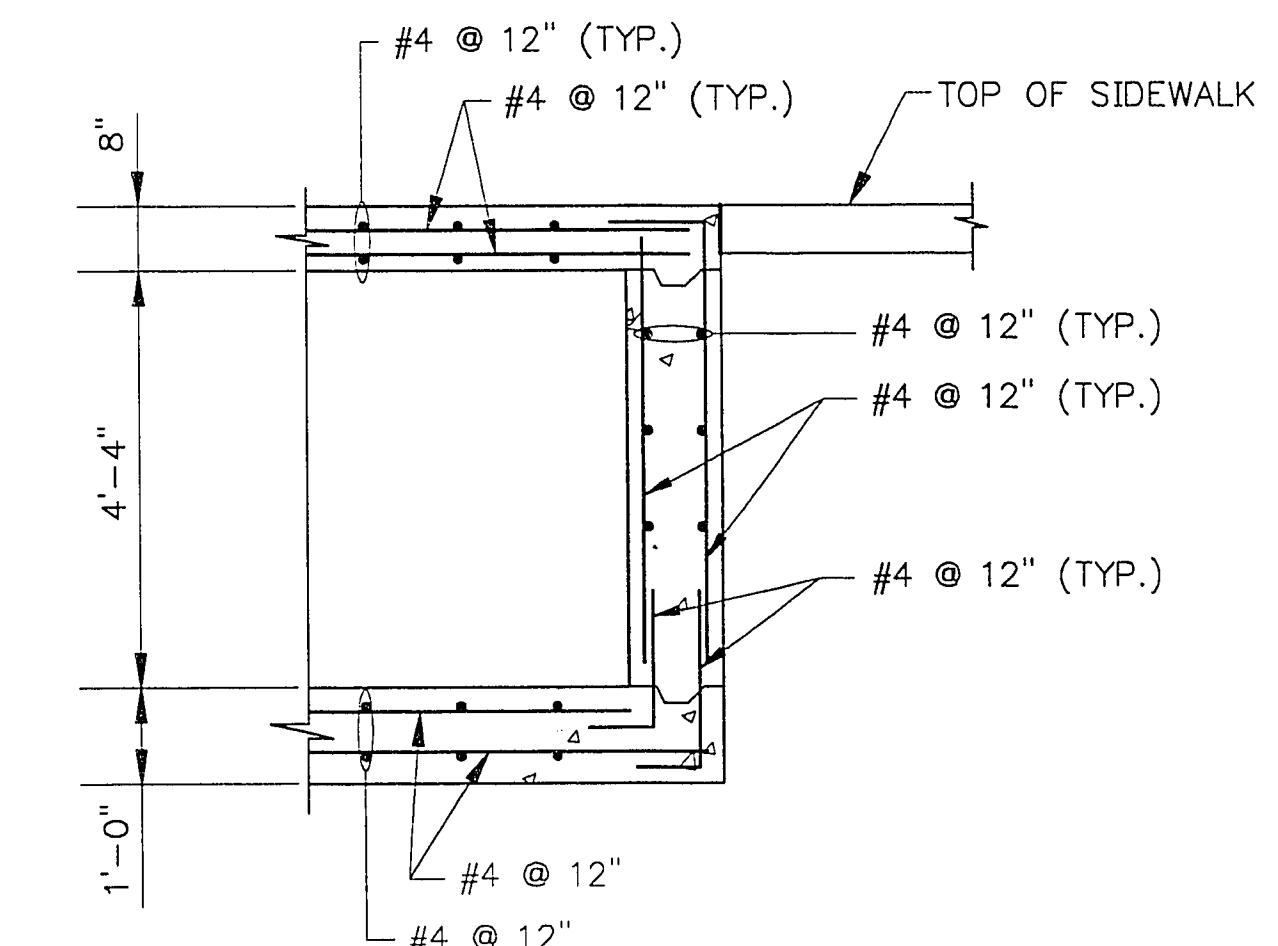
2 **DETAIL**
SCALE: 1" = 1'-0"



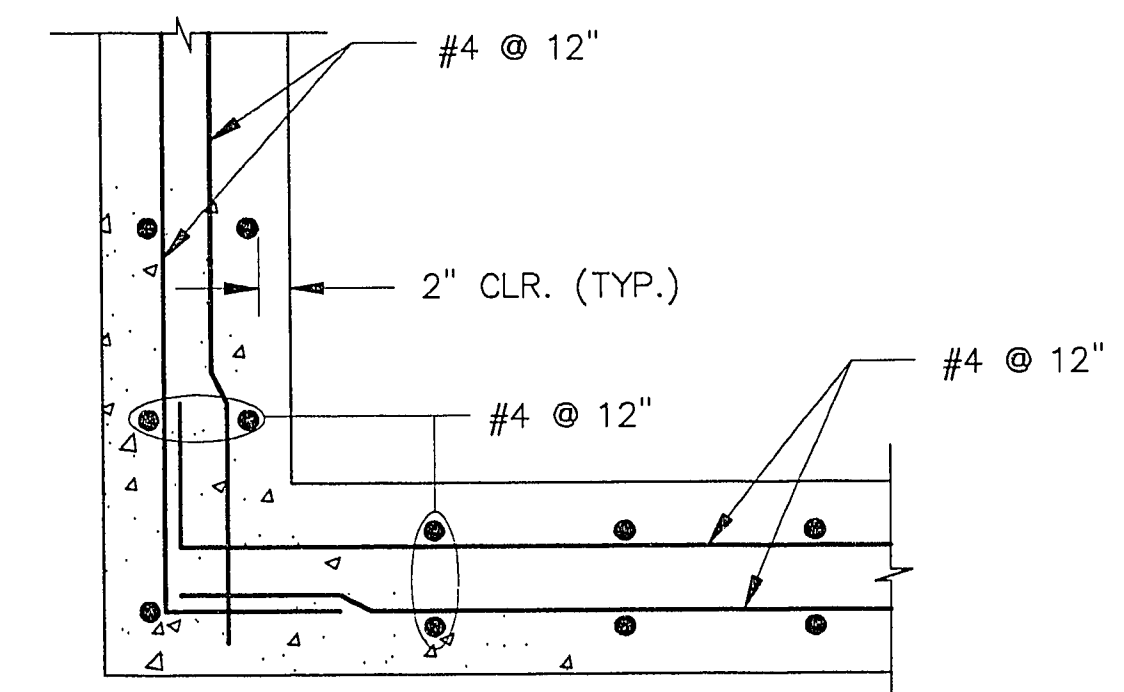
3 **CURB DETAIL**
SCALE: 1 1/2" = 1'-0"



B **SECTION**
SCALE: 3/8" = 1'-0"



C **SECTION**
SCALE: 1/2" = 1'-0"



D **SECTION**
SCALE: 1" = 1'-0"

EXIST. 90" SD AT NELLIS BLVD.

DATE	
REVISIONS	
DESIGNED BY: PRS	SCALE: 1"=30'
APPROVED BY: PRS	HORIZ. 1"=30'
REVIEWED BY: JKS	VERT. N/A
PROJECT NO. 43007	DATE: NOV. 9, 1992
URS CONSULTANTS, INC. Las Vegas, Nevada	
DEPARTMENT OF PUBLIC WORKS	
WASHINGTON AVENUE ROADWAY PROJECT	
STORM DRAIN DETAILS	
DRAWING NO. 107-V1982	D 14

URS/WARP-D16.dwg/11-12-92/gpr